

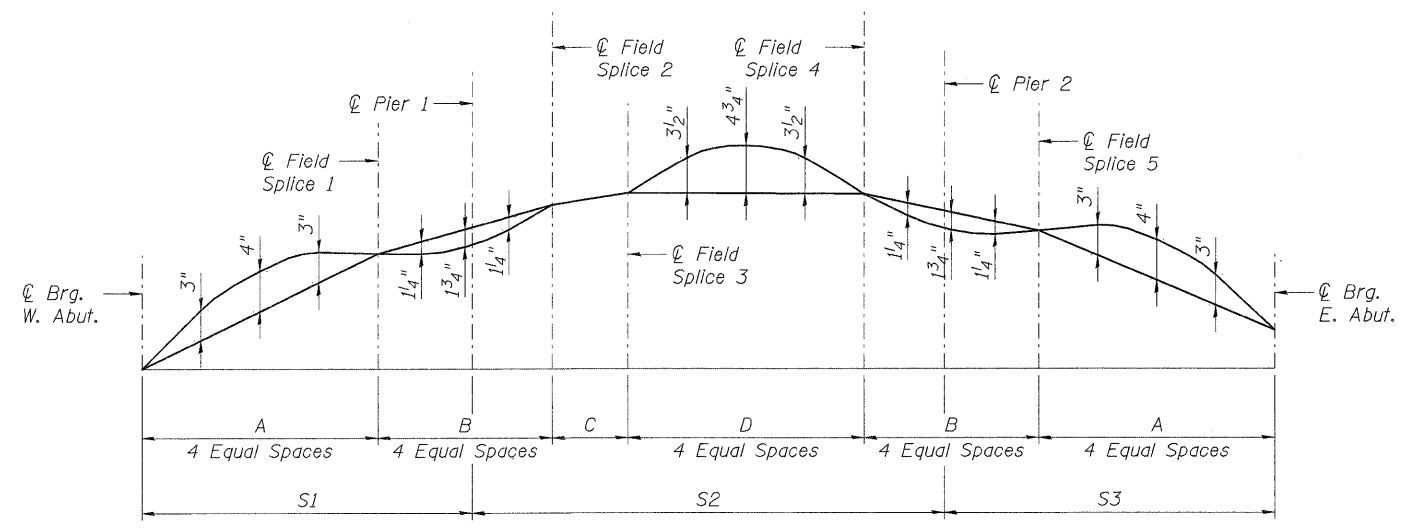
GIRDER ELEVATION

GIRDER DIMENSIONS

GIRDER	RADIUS	L	S1	S2	S3	A	B	C	D	E	F	G	H	J	K	L	M	N	P
1	6399'-5 1/2"	597'-7 1/4"	173'-8 5/8"	248'-2 1/6"	173'-8 5/8"	125'-1"	91'-9 7/8"	39'-8 1/2"	124'-1"	49'-7 5/8"	42'-2 1/4"	30'-3 5/16"	35'-2 7/8"	26'-3 1/16"	24	102	76	36	121
2	6408'-0 1/2"	598'-4 7/8"	173'-11 7/16"	248'-6"	173'-11 7/16"	125'-3"	91'-11 3/8"	39'-9 9/8"	124'-3"	49'-8 3/8"	42'-2 15/16"	30'-3 3/16"	35'-3 7/16"	26'-4 9/16"	24	103	76	37	121
3	6416'-7 1/2"	599'-2 7/16"	174'-2 3/16"	248'-10"	174'-2 3/16"	125'-5"	92'-0 13/16"	39'-9 3/4"	124'-5"	49'-9 3/8"	42'-3 5/8"	30'-4 5/16"	35'-4"	26'-4 1/2"	24	103	76	37	121
4	6425'-2 1/2"	600'-0 1/16"	174'-5"	249'-2"	174'-5"	125'-7"	92'-2 5/16"	39'-10 3/8"	124'-7"	49'-10"	42'-4 5/16"	30'-4 13/16"	35'-4 9/16"	26'-4 15/16"	24	103	76	37	121
5	6433'-9 1/2"	600'-9 5/8"	174'-7 13/16"	249'-6"	174'-7 13/16"	125'-9"	92'-3 13/16"	39'-11 1/16"	124'-9"	49'-10 13/16"	42'-5"	30'-5 1/4"	35'-5 1/8"	26'-5 3/8"	24	103	76	37	122
6	6442'-4 1/2"	601'-7 3/16"	174'-10 5/8"	249'-10"	174'-10 5/8"	125'-11"	92'-5 1/4"	39'-11 1/16"	124'-11"	49'-11 5/8"	42'-5 1/16"	30'-5 3/4"	35'-5 1/16"	26'-5 13/16"	24	103	76	37	122
7	6450'-11 1/2"	602'-4 13/16"	175'-1 3/8"	250'-2"	175'-1 3/8"	126'-1"	92'-6 3/4"	40'-0 3/8"	125'-1"	50'-0 3/8"	42'-6 5/16"	30'-6 1/4"	35'-6 5/16"	26'-6 3/16"	24	103	76	37	122
8	6459'-6 1/2"	603'-2 3/8"	175'-4 3/16"	250'-6"	175'-4 3/16"	126'-3"	92'-8 3/16"	40'-0 15/16"	125'-3"	50'-1 3/16"	42'-7"	30'-6 3/4"	35'-6 7/8"	26'-6 5/8"	24	103	76	37	122
9	6468'-1 1/2"	603'-11 9/16"	175'-7"	250'-10"	175'-7"	126'-5"	92'-9 1/16"	40'-1 5/8"	125'-5"	50'-2"	42'-7 1/16"	30'-7 3/16"	35'-7 1/16"	26'-7 1/16"	24	104	77	37	122
10	6476'-8 1/2"	604'-9 9/16"	175'-9 13/16"	251'-2"	175'-9 13/16"	126'-7"	92'-11 3/16"	40'-2 1/4"	125'-7"	50'-2 13/16"	42'-8 3/8"	30'-7 1/16"	35'-8"	26'-7 1/2"	24	104	77	37	122
11	6485'-3 1/2"	605'-7 9/8"	176'-0 9/16"	251'-6"	176'-0 9/16"	126'-9"	93'-0 5/8"	40'-2 7/8"	125'-9"	50'-3 5/8"	42'-9 1/16"	30'-8 3/16"	35'-8 9/16"	26'-7 7/8"	24	104	77	37	122
12	6493'-10 1/2"	606'-4 3/4"	176'-3 3/8"	251'-9 15/16"	176'-3 3/8"	126'-11"	93'-2 9/8"	40'-3 1/2"	125'-11"	50'-4 3/8"	42'-9 3/4"	30'-8 11/16"	35'-9 1/8"	26'-8 5/16"	24	104	77	37	123

TOP OF WEB ELEVATIONS
(For Fabrication Only)

GIRDER	1	2	3	4	5	6	7	8	9	10	11	12
W. Abut.	849.99	850.21	850.44	850.66	850.88	850.65	850.65	850.88	851.10	851.32	851.55	851.77
Field Splice 1	851.87	852.09	852.32	852.54	852.76	852.54	852.54	852.76	852.99	853.21	853.43	853.65
Pier 1	852.21	852.44	852.66	852.89	853.11	852.88	852.88	853.11	853.33	853.56	853.78	854.00
Field Splice 2	852.76	852.99	853.22	853.44	853.66	853.44	853.44	853.66	853.88	854.11	854.34	854.56
Field Splice 3	853.26	853.50	853.72	853.95	854.17	853.95	853.95	854.17	854.40	854.63	854.86	855.09
Field Splice 4	852.94	853.16	853.39	853.61	853.83	853.61	853.61	853.83	854.06	854.28	854.51	854.73
Pier 2	852.48	852.71	852.93	853.16	853.38	853.15	853.15	853.38	853.60	853.82	854.05	854.27
Field Splice 5	852.25	852.47	852.70	852.92	853.14	852.92	852.92	853.14	853.37	853.59	853.81	854.03
E. Abut.	850.63	850.85	851.08	851.30	851.52	851.29	851.29	851.52	851.74	851.96	852.19	852.41



TYPICAL CAMBER DIAGRAM

- Notes:**
- All Structural Steel shall be AASHTO M270 Grade 50, except fill plates.
 - Load carrying components designated "NTR" shall conform to the Impact Testing Requirements, Zone 2.
 - UNO = Unless Noted Otherwise

FILE NAME =	USER NAME = #USER#	DESIGNED - MDB	REVISED -	STATE OF ILLINOIS DEPARTMENT OF TRANSPORTATION US 20 OVER MCLEAN BOULEVARD	GIRDER ELEVATIONS			F.A.P. RTE. 345	SECTION 8R-R	COUNTY KANE	TOTAL SHEETS 794	SHEET NO. 508
#FILEL#		DRAWN - MDB	REVISED -		SCALE:	SHEET NO. S-36	OF S-62	STATION 98+32.18	SN 045-0077		CONTRACT NO. 60H45	
TENG & ASSOCIATES, INC. ENGINEERS/ARCHITECTS/PLANNERS CHICAGO, ILLINOIS	PLOT SCALE = #SCALE#	CHECKED - CCE	REVISED -		FED. ROAD DIST. NO. 7 (ILLINOIS) FED. AID PROJECT							
	PLOT DATE = #DATE#	DATE - 01/16/12	REVISED -									

\\F5-0814\AM\VALU\1.D - TRANS. 07\2222\31379-001\STRUCT\CA\B\B\H\45\0450077\0450077-SHEET\0450077-SHT.DGN
 \\F5-0814\AM\VALU\1.D - TRANS. 07\2222\31379-001\STRUCT\CA\B\B\H\45\0450077\0450077-SHEET\0450077-SHT.DGN
 \\F5-0814\AM\VALU\1.D - TRANS. 07\2222\31379-001\STRUCT\CA\B\B\H\45\0450077\0450077-SHEET\0450077-SHT.DGN
 \\F5-0814\AM\VALU\1.D - TRANS. 07\2222\31379-001\STRUCT\CA\B\B\H\45\0450077\0450077-SHEET\0450077-SHT.DGN