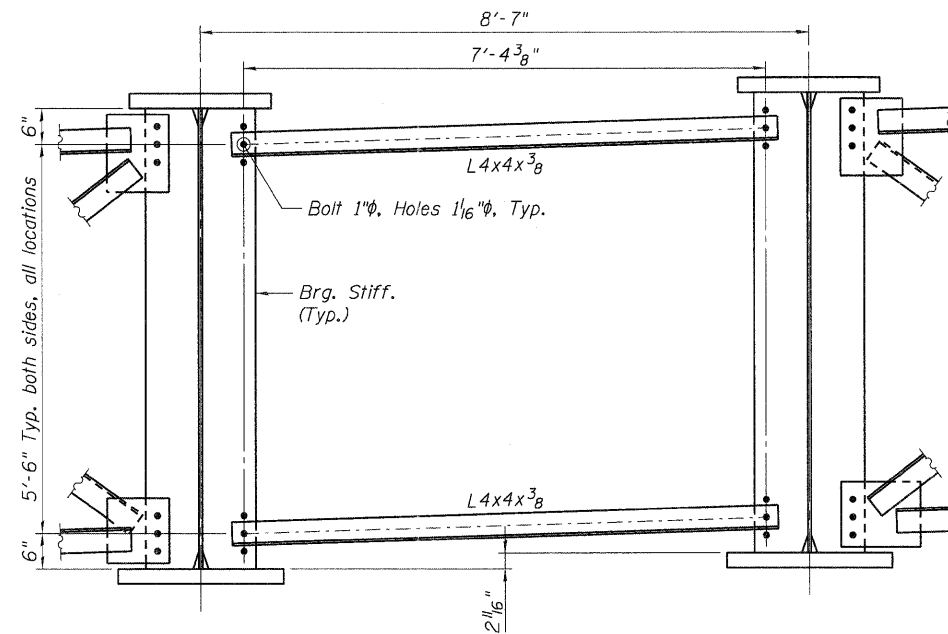
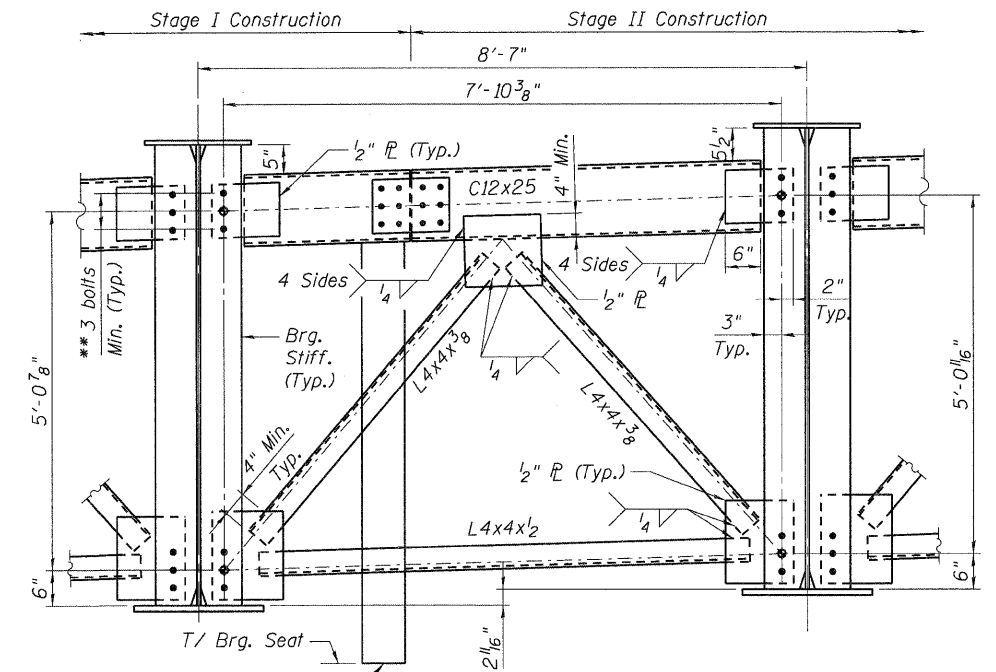


D5 - INTERIOR CROSS FRAME AT STAGE CONSTRUCTION LINE
(25 thus)



D6 - PIER CROSS FRAME AT STAGE CONSTRUCTION LINE
(2 thus)



D7 - WEST ABUTMENT CROSS FRAME AT STAGE CONSTRUCTION LINE
(1 thus)

Timber Block Post, cost included with Furnishing and Erecting Structural Steel. Place cross frame with channel flanges and outstanding angle legs outward from abutment backwall.

Interior and Pier Cross Frame Stage Construction Sequence:

1. Install D5 and D6 cross frames in Stage II Construction prior to casting deck.
2. Bolts shall be finger-tight.
3. Remove D5 and D6 cross frames and install D1 and D2 cross frames in Stage III Construction prior to casting deck closure pour.

End Cross Frame Stage Construction Sequence:

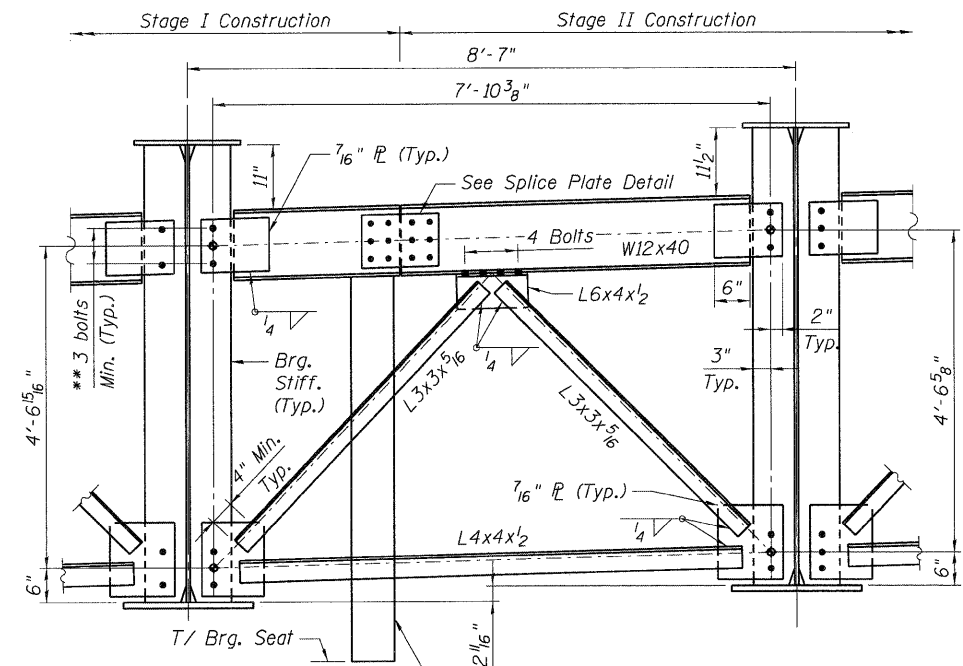
1. Order Cross Frame in two sections.
2. Attach section 1 of top chord of cross frame to Girder 7.
3. Place timber block posts between section 1 of cross frame and abutment bearing section.
4. Pour Stage I of deck and erect Stage II girders.
5. Attach section 2 of cross frame to both Beam 8 and section 1 of cross frame with splice plate.
6. Remove timber block posts.
7. Pour closure strip of deck.

** Bolts 7/8"φ, Holes 1 1/16"φ. Two hardened washers required for each set of oversized holes.

◆ Centroid of bolt group and workpoint of member principal axes

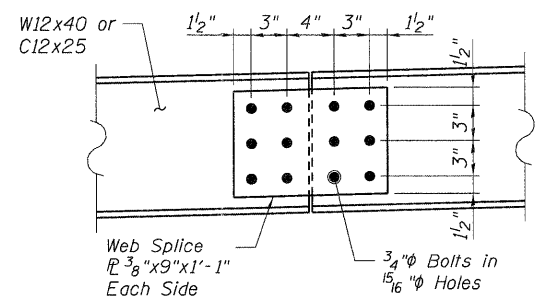
NOTE:

See Sht. S-37 for notes.



D8 - EAST ABUTMENT CROSS FRAME AT STAGE CONSTRUCTION LINE
(1 thus)

Place cross frame with outstanding angle legs outward from abutment backwall. Timber Block Post, cost included with Furnishing and Erecting Structural Steel.



SPLICE PLATE DETAIL

FILE NAME = ... \SHEET\0450077\ASHEET\0450077-001-STEELDETAIL-01.DWG
 USER NAME = *USER*
 DESIGNED - MDB
 DRAWN - MDB
 CHECKED - CCE
 DATE - 12/16/11
 REVISED -
 REVISED -
 REVISED -
 REVISED -
 STATE OF ILLINOIS
 DEPARTMENT OF TRANSPORTATION
 US 20 OVER MCLEAN BOULEVARD
 STEEL DETAILS
 2 OF 3
 F.A.P. RTE. 345
 SECTION 8R-R
 COUNTY KANE
 TOTAL SHEETS 794
 SHEET NO. 510
 SN 045-0077
 CONTRACT NO. 60H45
 SCALE: SHEET NO. S-38 OF S-62 STATION 98+32.18
 FED. ROAD DIST. NO. 7 ILLINOIS FED. AID PROJECT

FILE NAME =	USER NAME = *USER*	DESIGNED - MDB	REVISED -	STATE OF ILLINOIS DEPARTMENT OF TRANSPORTATION US 20 OVER MCLEAN BOULEVARD	STEEL DETAILS 2 OF 3			F.A.P. RTE. 345	SECTION 8R-R	COUNTY KANE	TOTAL SHEETS 794	SHEET NO. 510
FILEL		DRAWN - MDB	REVISED -		SCALE:	SHEET NO. S-38	OF S-62	STATION 98+32.18	SN 045-0077		CONTRACT NO. 60H45	
	PLOT SCALE = *SCALE*	CHECKED - CCE	REVISED -									
	PLOT DATE = *DATE*	DATE - 12/16/11	REVISED -									

