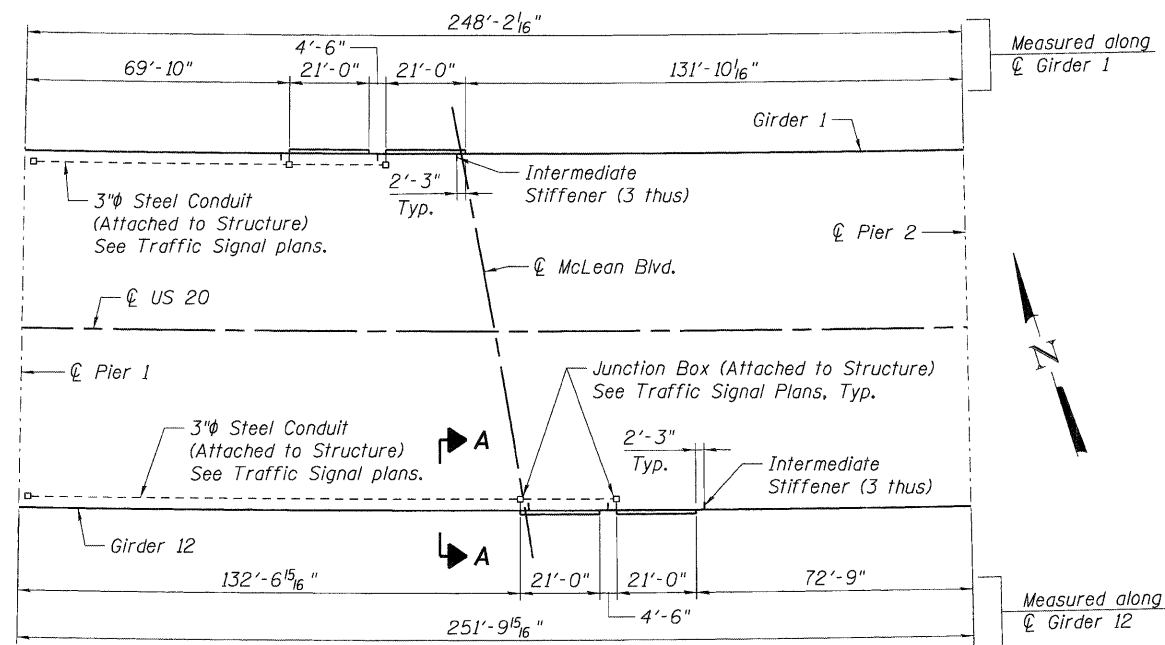
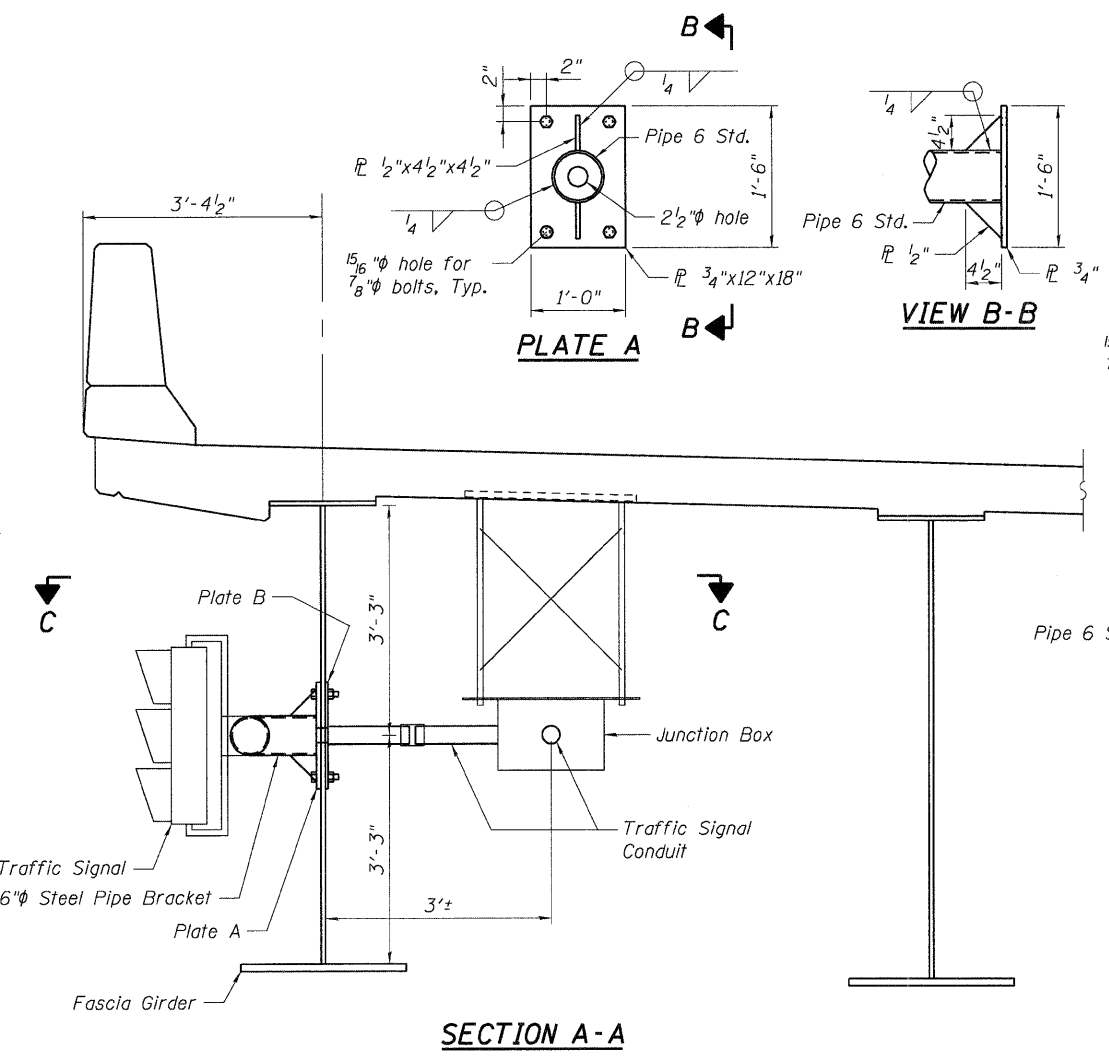


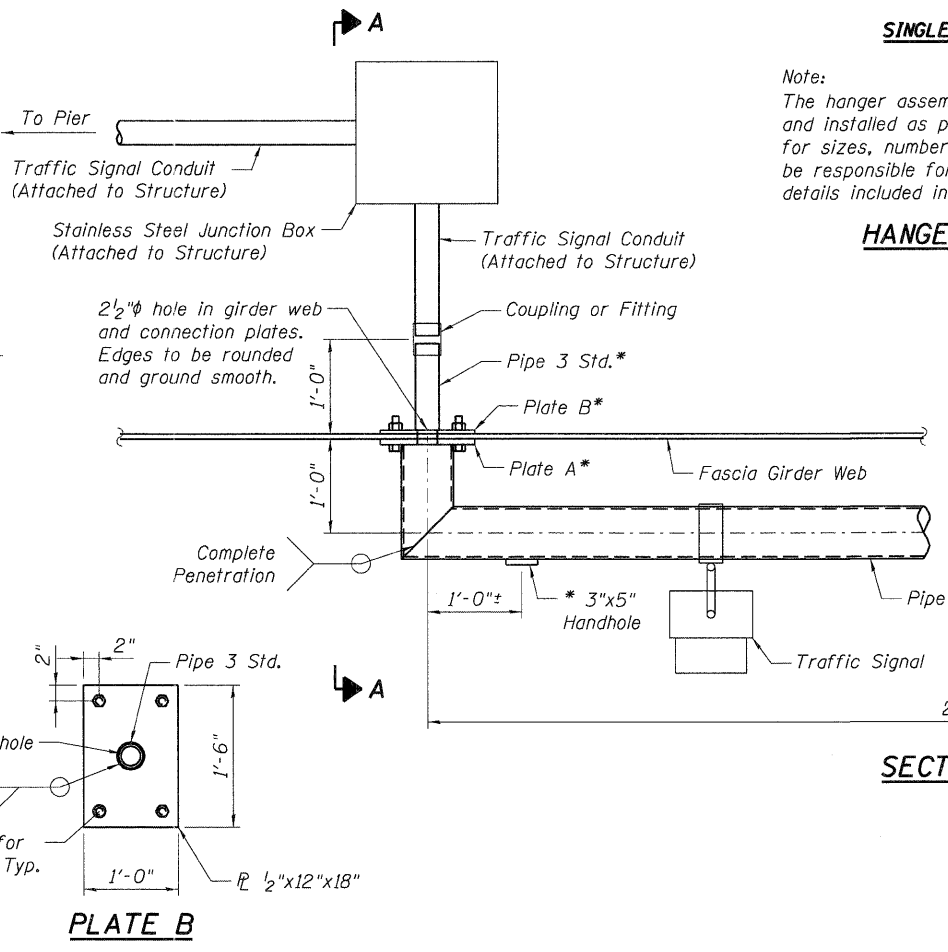
12-12-2011, 10:40:10
 \\FS-02\4\AM\VAULT\0-TRANS\07\2202\2379-001\STRUCT\CD\60H45\0450077\60H45-001-STEELDETAIL.DGN
 \\FS-02\4\AM\VAULT\0-TRANS\07\2202\2379-001\STRUCT\CD\60H45\0450077\60H45-001-STEELDETAIL.SHT.DGN
 \\FS-02\4\AM\VAULT\0-TRANS\07\2202\2379-001\STRUCT\CD\60H45\0450077\60H45-001-STEELDETAIL.DGN
 \\FS-02\4\AM\VAULT\0-TRANS\07\2202\2379-001\STRUCT\CD\60H45\0450077\60H45-001-STEELDETAIL.SHT.DGN



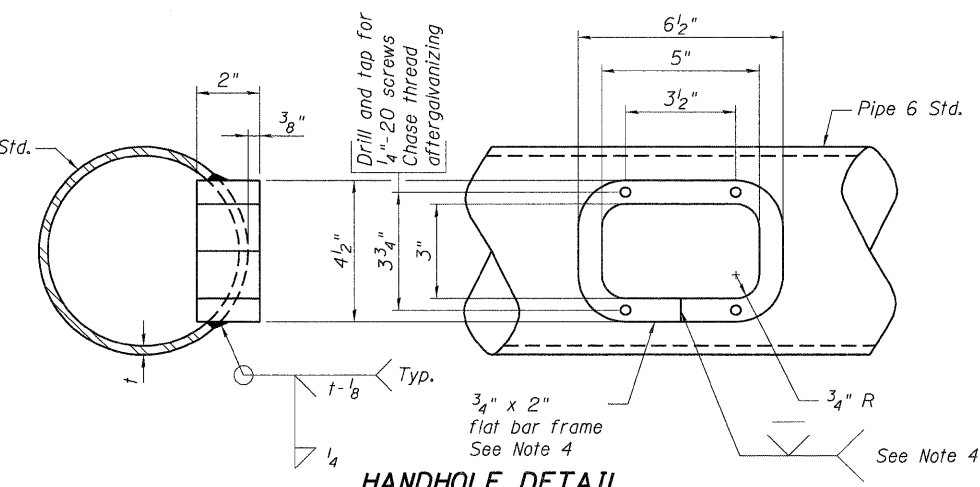
TRAFFIC SIGNAL BRACKET PLAN
(Dimensions given to Connection WP)



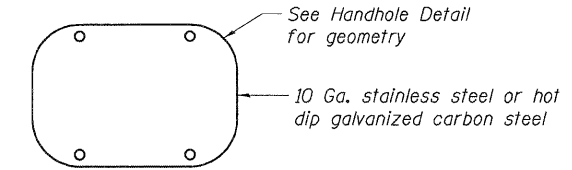
SECTION A-A



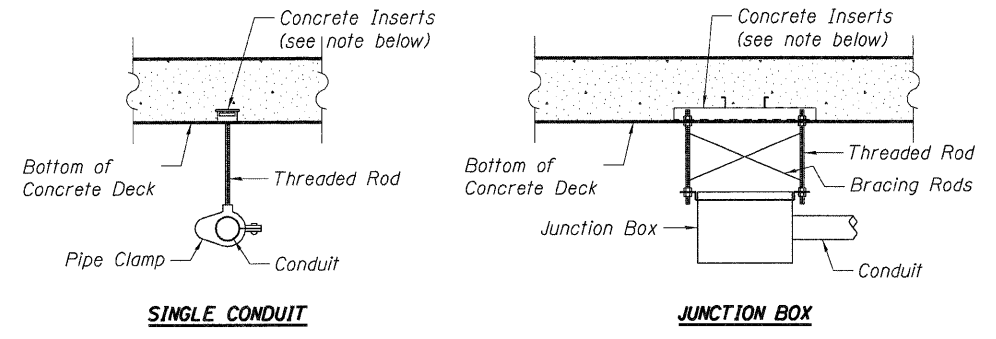
SECTION C-C



HANDHOLE DETAIL



HANDHOLE COVER DETAIL



Note:
The hanger assemblies for traffic signal items including concrete inserts shall be furnished and installed as part of the conduit or junction box pay items. Refer to traffic signal plans for sizes, numbers, locations, and limits of conduits and junction boxes. The Contractor shall be responsible for installation of the concrete inserts according to the layout and installation details included in approved traffic signal shop drawings.

HANGER ASSEMBLIES FOR TRAFFIC SIGNAL ITEMS ATTACHED TO CONCRETE DECK

Provide 6 1/2" x 4 1/2" cover with gasket, see handhole cover detail.
Provide 4- 5/16" holes in cover for 1/4"-20 round head hot dip galvanized or stainless steel machine screws.

- Notes:**
- Fasteners shall be AASHTO M164 Type 1, mechanically galvanized bolts.
 - Holes in girder webs for bolts shall be 1 1/16" φ.
 - All structural steel of the traffic signal bracket assembly shall be hot dip galvanized after fabrication.
 - In lieu of fabricated handhole frame as shown, may cut from 2" plate (rolling direction vertical). All cut faces, corners and edges are to be ground to ANSI Roughness of 500 micro-in or less.
 - Items noted with * are furnished and installed as part of STRUCTURAL STEEL pay item. Refer to Traffic Signal Plans for remaining items.

FILE NAME = #FILE#	USER NAME = #USER#	DESIGNED - MDB	REVISED -	STATE OF ILLINOIS DEPARTMENT OF TRANSPORTATION US 20 OVER MCLEAN BOULEVARD			TRAFFIC SIGNAL BRACKET DETAILS			F.A.P. RTE. 345	SECTION BR-R	COUNTY KANE	TOTAL SHEETS 794	SHEET NO. 512
TENG ENGINEERS/ARCHITECTS/PLANNERS CHICAGO, ILLINOIS	PLOT SCALE = #SCALE#	DRAWN - MDB	REVISED -	SCALE:			SHEET NO. S-40 OF S-62			STATION 98+32.18			SN 045-0077 CONTRACT NO. 60H45	
	PLOT DATE = #DATE#	CHECKED - TCU	REVISED -							FED. ROAD DIST. NO. 7 ILLINOIS FED. AID PROJECT				
		DATE - 12/16/11	REVISED -											