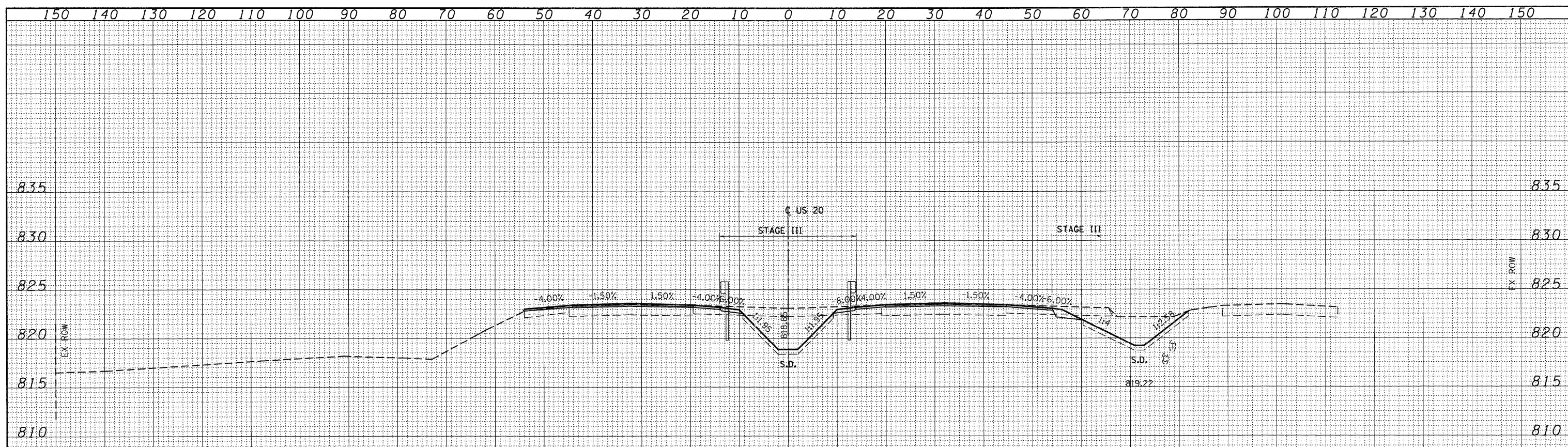


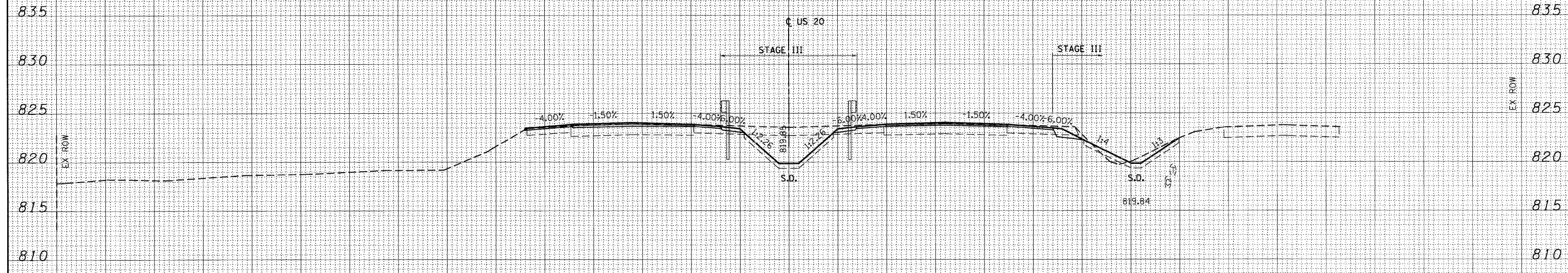
DATE _____
 BY _____
 SURVEYED _____
 PLOTTED _____
 TEMPLATE _____
 NOTE BOOK _____
 AREAS CHECKED _____
 NO. _____

DATE _____
 BY _____
 ORIGINAL SURVEY _____
 PLOTTED _____
 TEMPLATE _____
 NOTE BOOK _____
 AREAS CHECKED _____
 NO. _____



| END AREAS (SQ FT) | STAGE IA | STAGE IB | STAGE IC | STAGE IIA | STAGE IIB | STAGE III | STAGE IV |
|---------------------------------|----------|----------|----------|-----------|-----------|-----------|----------|
| EARTH EXCAVATION = | 0.00 | 0.00 | 0.00 | 0.00 | 0.00 | 95.22 | 0.00 |
| EMBANKMENT = | 0.00 | 0.00 | 0.00 | 0.00 | 0.00 | 2.97 | 0.00 |
| UNS MATL (TOPSOIL EXCAVATION) = | 0.00 | 0.00 | 0.00 | 0.00 | 0.00 | 0.00 | 0.00 |
| PGE SUBGRADE = | 0.00 | 0.00 | 0.00 | 0.00 | 0.00 | 0.00 | 0.00 |

66+00.00



| END AREAS (SQ FT) | STAGE IA | STAGE IB | STAGE IC | STAGE IIA | STAGE IIB | STAGE III | STAGE IV |
|---------------------------------|----------|----------|----------|-----------|-----------|-----------|----------|
| EARTH EXCAVATION = | 0.00 | 0.00 | 0.00 | 0.00 | 0.00 | 53.19 | 0.00 |
| EMBANKMENT = | 0.00 | 0.00 | 0.00 | 0.00 | 0.00 | 3.93 | 0.00 |
| UNS MATL (TOPSOIL EXCAVATION) = | 0.00 | 0.00 | 0.00 | 0.00 | 0.00 | 0.00 | 0.00 |
| PGE SUBGRADE = | 0.00 | 0.00 | 0.00 | 0.00 | 0.00 | 0.00 | 0.00 |

65+00.00

LEGEND:

- UNSUITABLE MATERIAL
- EXISTING PAVEMENT REMOVAL
- PGE SUBGRADE