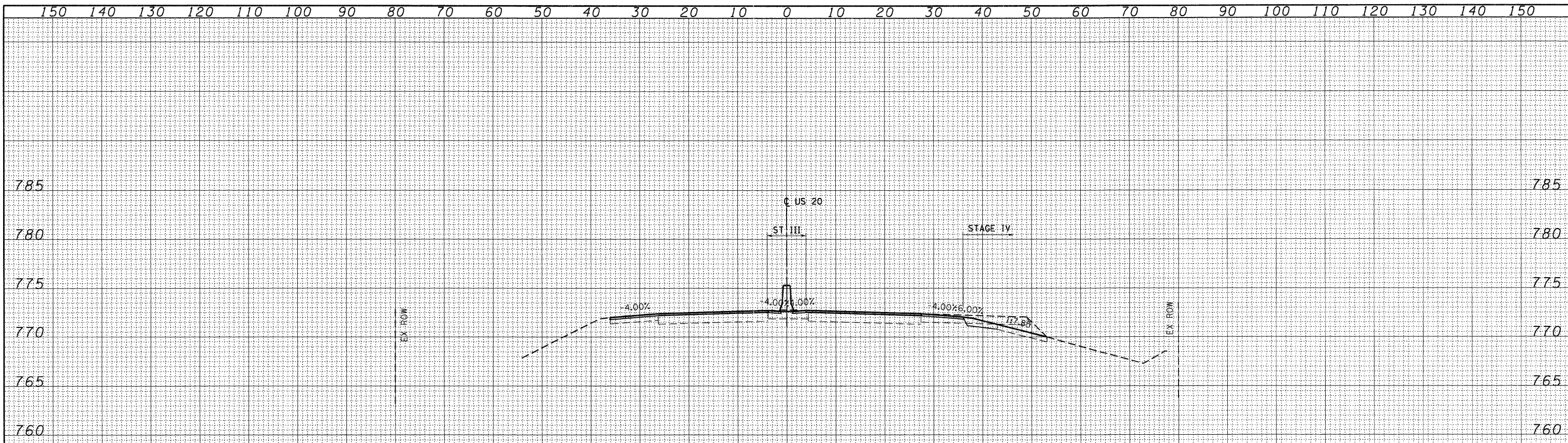


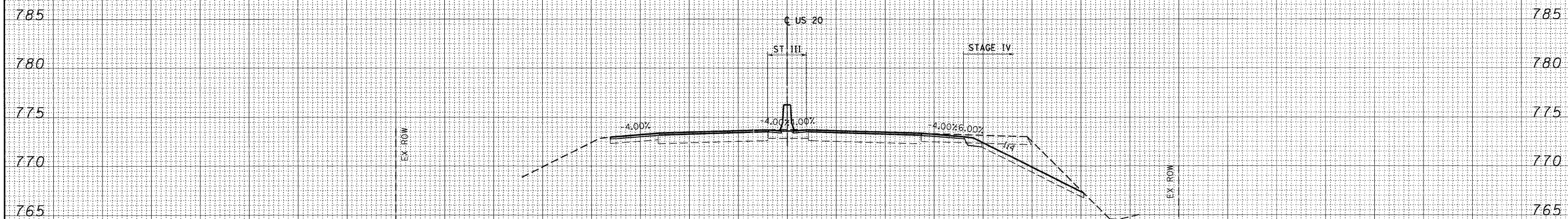
DATE	
BY	
SURVEYED	
PLOTTED	
TEMPLATE	
NOTE BOOK	
AREAS CHECKED	
NO.	

DATE	
BY	
SURVEYED	
PLOTTED	
TEMPLATE	
NOTE BOOK	
AREAS CHECKED	
NO.	



END AREAS (SQ FT)	STAGE IA	STAGE IB	STAGE IC	STAGE IIA	STAGE IIB	STAGE III	STAGE IV
EARTH EXCAVATION =	0.00	0.00	0.00	0.00	0.00	0.00	12.51
EMBANKMENT =	0.00	0.00	0.00	0.00	0.00	0.00	0.18
UNS MATL (TOPSOIL EXCAVATION) =	0.00	0.00	0.00	0.00	0.00	0.00	0.00
PGE SUBGRADE =	0.00	0.00	0.00	0.00	0.00	0.00	0.00

151+00.00



END AREAS (SQ FT)	STAGE IA	STAGE IB	STAGE IC	STAGE IIA	STAGE IIB	STAGE III	STAGE IV
EARTH EXCAVATION =	0.00	0.00	0.00	0.00	0.00	0.00	36.66
EMBANKMENT =	0.00	0.00	0.00	0.00	0.00	0.00	0.18
UNS MATL (TOPSOIL EXCAVATION) =	0.00	0.00	0.00	0.00	0.00	0.00	0.00
PGE SUBGRADE =	0.00	0.00	0.00	0.00	0.00	0.00	0.00

150+00.00

LEGEND:

- UNSUITABLE MATERIAL
- EXISTING PAVEMENT REMOVAL
- PGE SUBGRADE