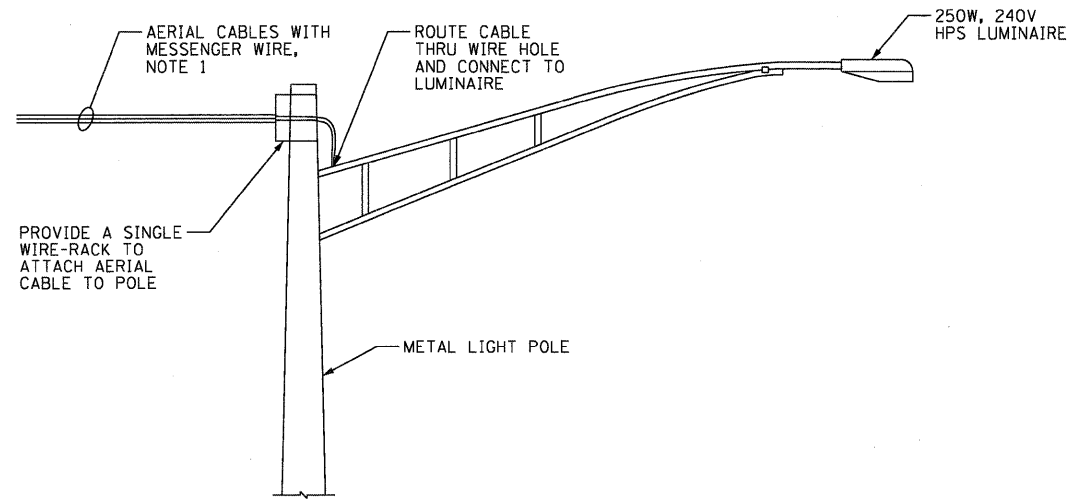
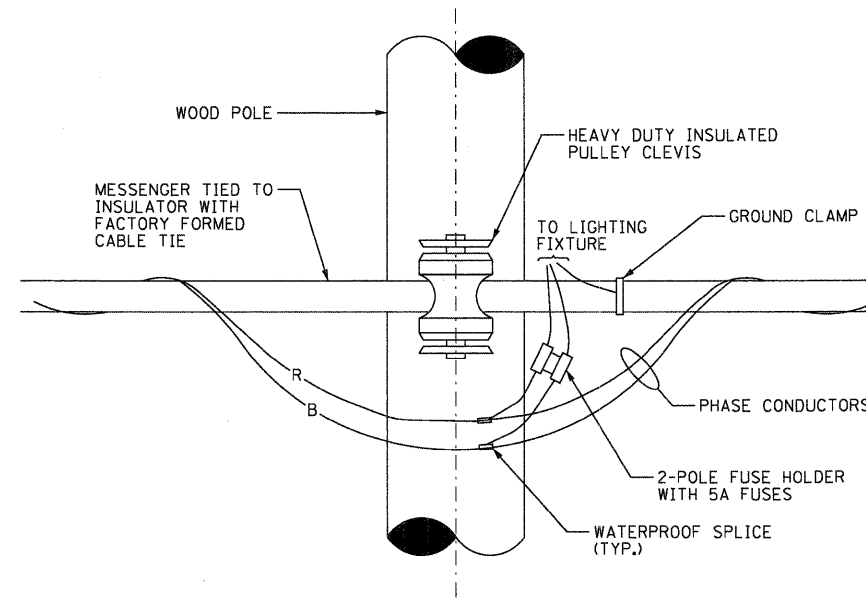


**NOTES:**

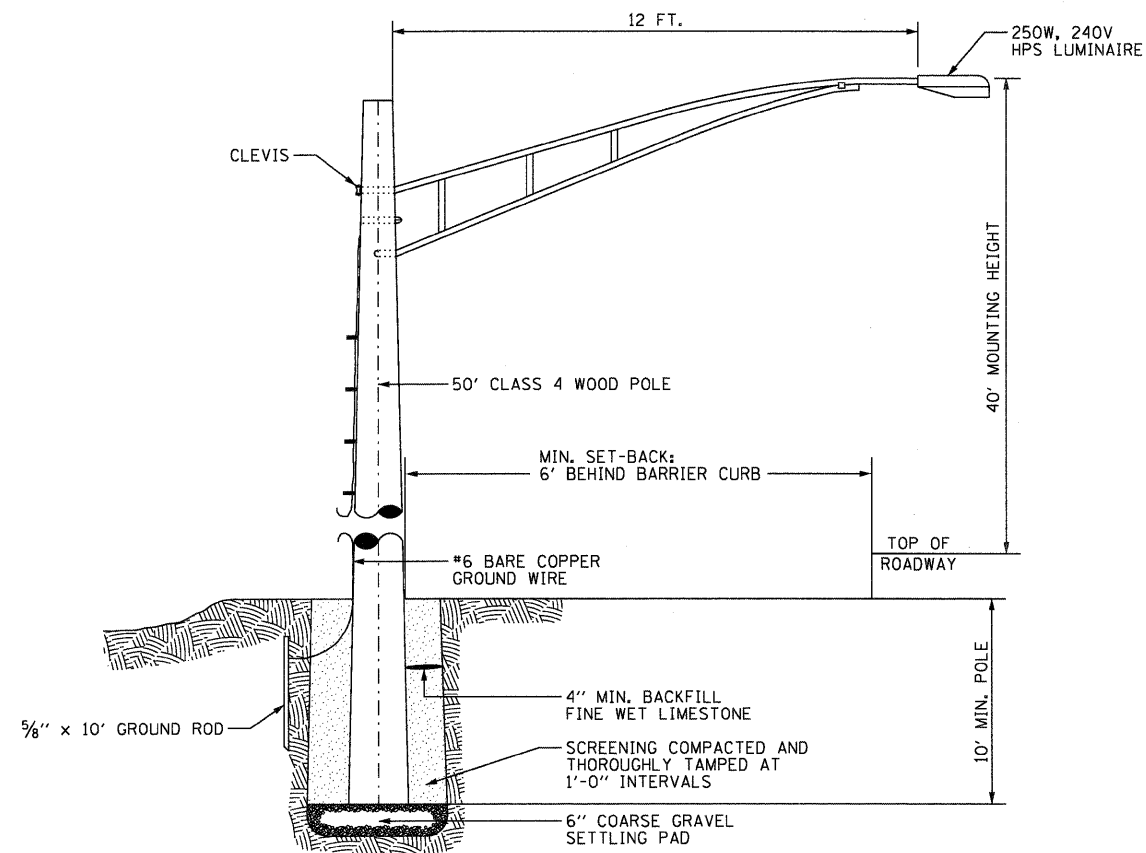
1. THE COST OF CONNECTING AERIAL CABLES TO EXISTING LIGHTING UNIT SHALL BE INCLUDED IN THE COST OF THE AERIAL CABLE PAY ITEM. NO SEPARATE PAYMENT WILL BE MADE.



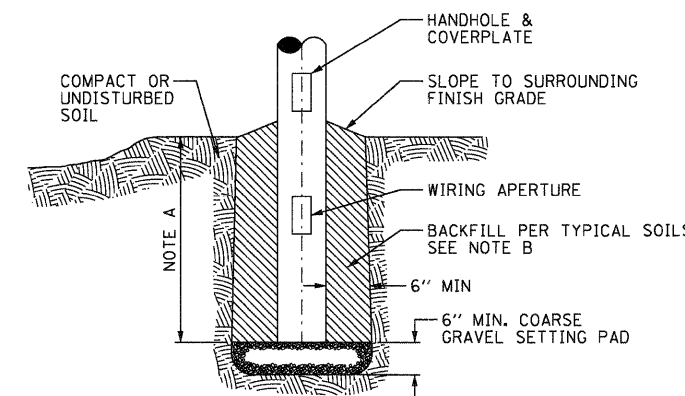
**TEMPORARY POWER FEED TO EXISTING POLE DETAIL**  
N.T.S.



**TEMPORARY LIGHT POLE CABLE ATTACHMENT DETAIL**  
N.T.S.



**TEMPORARY LIGHT POLE INSTALLATION DETAIL**  
N.T.S.



**NOTES:**

A. THE DEPTH OF THE EMBEDMENT SHALL BE MINIMUM OF 20% POLE LENGTH PLUS 2 FEET. PROVIDE WIDER SETTING PAD IF THE SOIL STRENGTH IS DETERMINED TO BE POOR.

B. BACKFILL REQUIREMENTS:

**GOOD SOIL**

COMPACT WELL GRADED SAND AND GRAVEL, HARD CLAY OR WELL GRADED FINE AND COARSE SAND (NO STANDING WATER).

- USE AS IS FOR BACKFILL

**MEDIUM SOIL**

COMPACT FINE SAND AND CLAY, COMPACT SANDY LOAM, LOOSE COARSE SAND AND GRAVEL (NO STANDING WATER).

- REQUIRES SELECT BACKFILL CLEAN WASHED SAND OR 1/2" MINUS WELL GRADED GRAVEL.

**POOR SOIL**

SOFT CLAY, CLAY LOAM, POORLY COMPACTED SAND OR CLAYS CONTAINING LARGE AMOUNTS OF SILTS (STANDING WATER DURING WET SEASON)

- USE CEMENTITIOUS EARTH BACKFILL - CONCRETE - LIMESTONE SCREENINGS OR URETHANE FOAM

**EXISTING DIRECT BURIED CONCRETE LIGHT POLE REINSTALLATION DETAIL**

N.T.S.

FILE NAME =	USER NAME = amartin
D168122-SHT-RL-10.dgn	
PLOT SCALE = 1:1	
PLOT DATE = 12/14/2011	

DESIGNED - JLW	REVISED -
DRAWN - CJM	REVISED -
CHECKED - KMY	REVISED -
DATE - 12/09/11	REVISED -

STATE OF ILLINOIS  
DEPARTMENT OF TRANSPORTATION

ILLINOIS ROUTE 38 AND KAUTZ ROAD  
MISCELLANEOUS ELECTRICAL DETAILS

SCALE: NONE SHEET NO. 1 OF 1 SHEET STA. TO STA.

F.A.P. RTE.	SECTION	COUNTY	TOTAL SHEETS	SHEET NO.
347	LY (HB & VB)	DUPAGE/KANE	421	165
<b>RL-10</b>		<b>CONTRACT NO. 60122</b>		
FED. ROAD DIST. NO. 1 ILLINOIS FED. AID PROJECT				