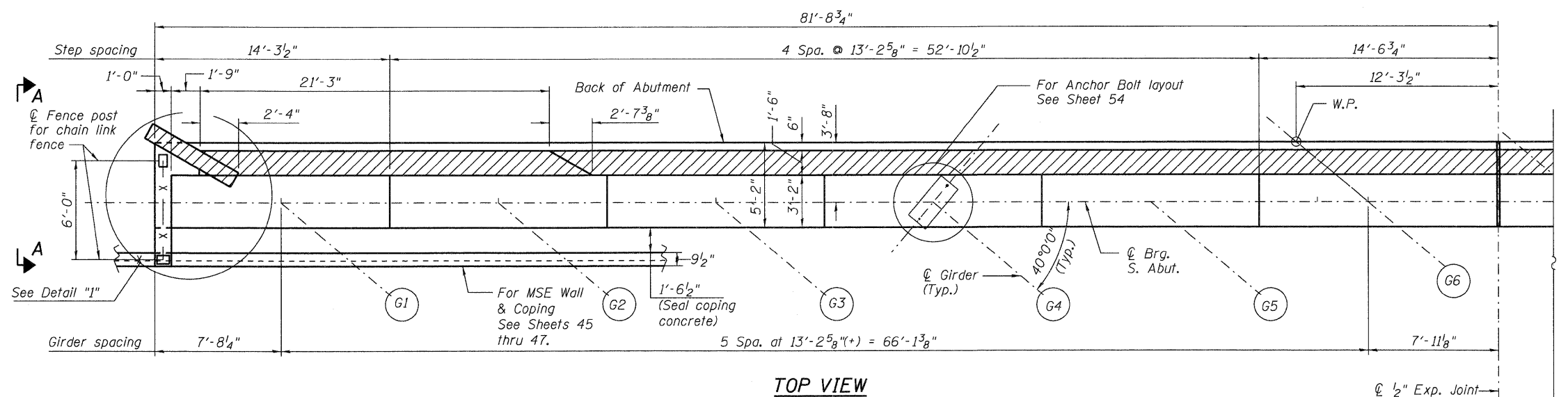
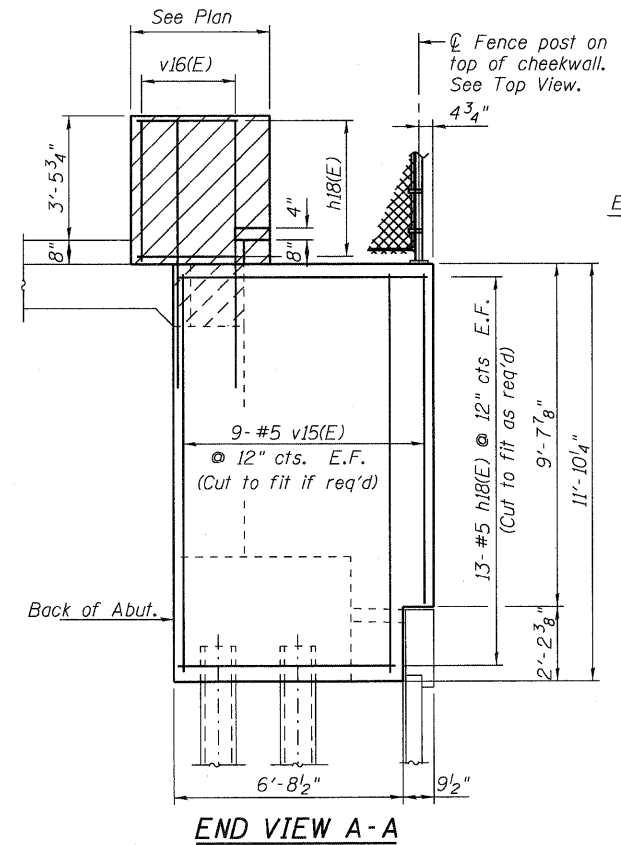


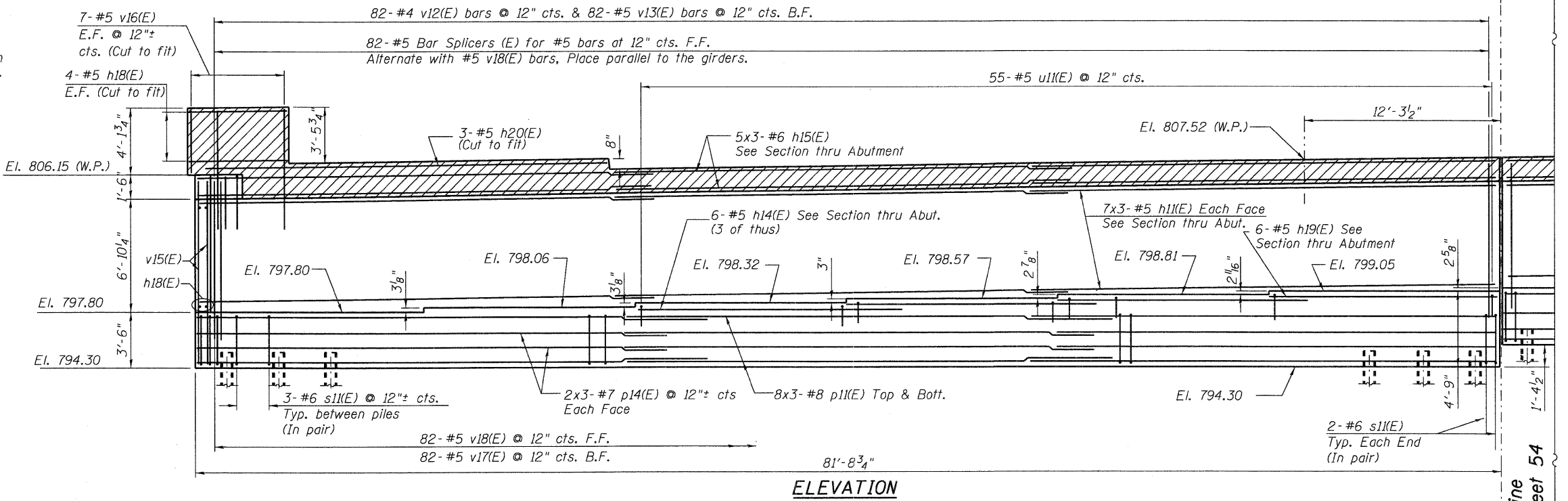
DETAIL "I"



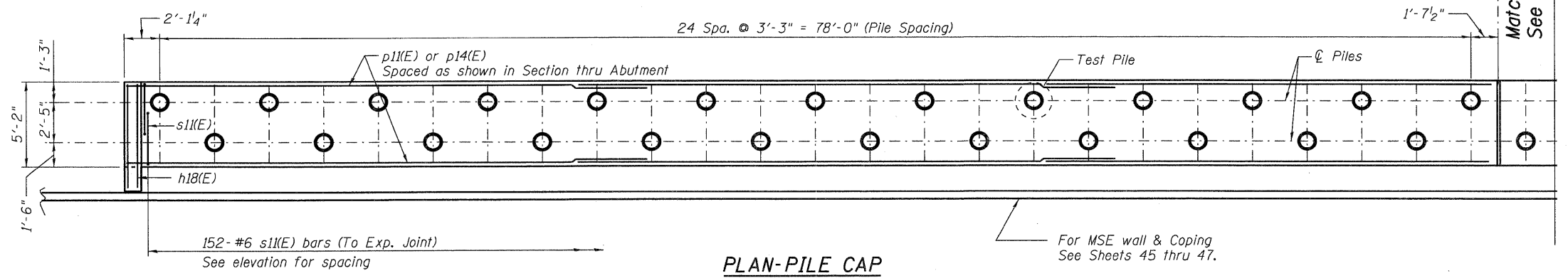
TOP VIEW



END VIEW A-A



ELEVATION



PLAN-PILE CAP

Notes:  
 For Pile Data see Sheet 55.  
 For Section thru Abutment see Sheet 57.  
 For Fence details see Sheet 30.

McDonough Associates Inc.  
 Engineers / Architects  
 130 East Randolph Street Chicago, Illinois 60601

FILE NAME = 0450079-60122-053-Abut.S1.dgn	USER NAME = jehrhart	DESIGNED - MJL	REVISD -	STATE OF ILLINOIS DEPARTMENT OF TRANSPORTATION	SOUTH ABUTMENT - 1 STRUCTURE NO. 045-0079 SHEET NO. 53 OF 67 SHEETS	F.A.P. RTE. 347	SECTION LY (HB & VB)	COUNTY DUPAGE/KANE	TOTAL SHEETS 421	SHEET NO. 219
PLOT SCALE = 1:4	DRAWN - RJ	CHECKED - PMH	REVISD -			CONTRACT NO. 60122				
PLOT DATE = 3/28/2012	CHECKED - PMH	REVISD -	REVISD -			ILLINOIS FED. AID PROJECT				