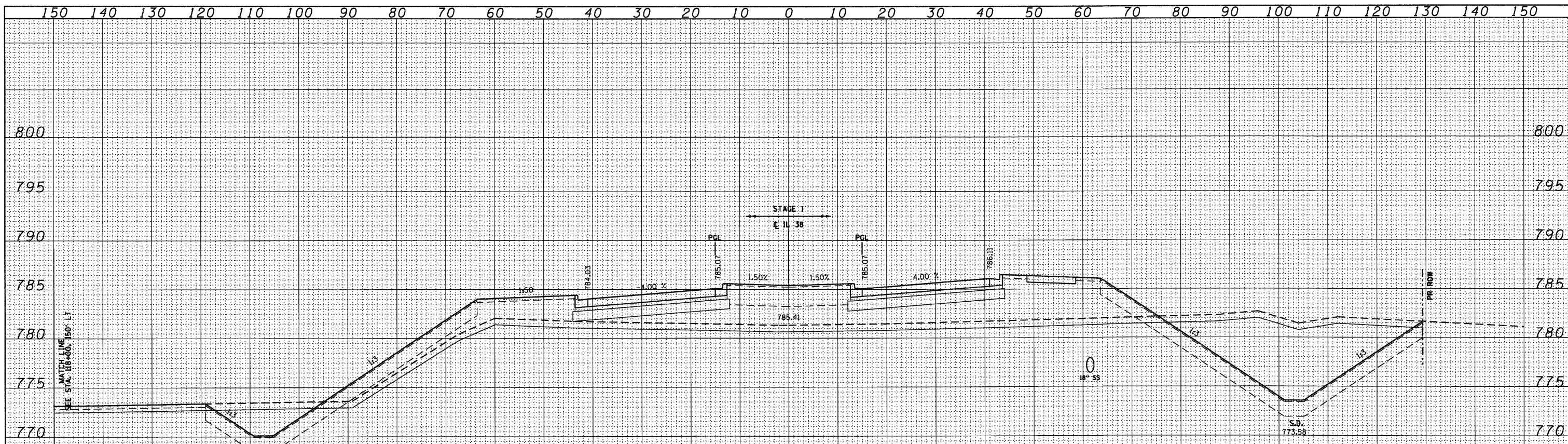


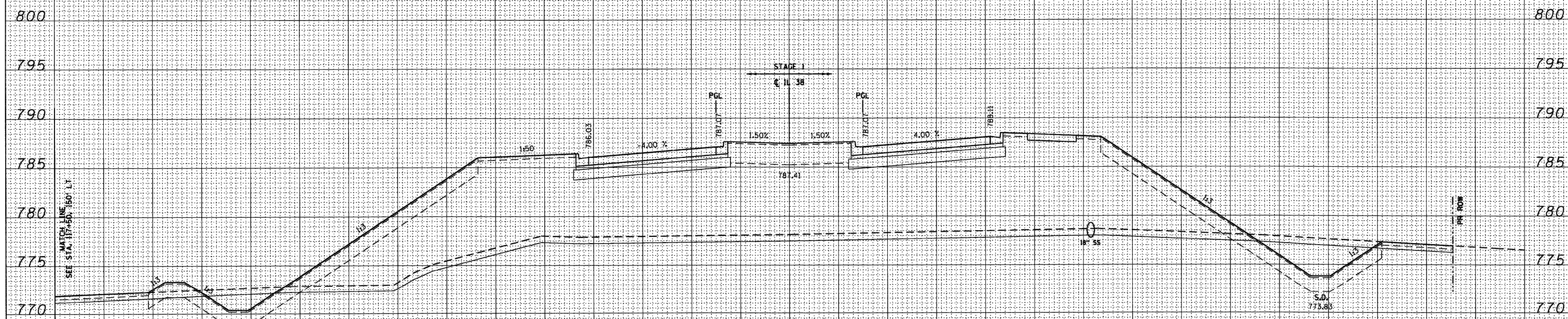
DATE	
BY	
FINAL SURVEY	
PLOTTED	
NOTE BOOK	
AREAS	
CHECKED	
NO.	

DATE	
BY	
ORIGINAL SURVEY	
PLOTTED	
NOTE BOOK	
AREAS	
CHECKED	
NO.	



	STAGE 1	STAGE 2	STAGE 3
EARTH EXCAVATION	378.4 SQ. FT.	0 SQ. FT.	0 SQ. FT.
UNSUITABLE EXCAVATION	186.7 SQ. FT.	0 SQ. FT.	0 SQ. FT.
EMBANKMENT	392.6 SQ. FT.	0 SQ. FT.	0 SQ. FT.
PDES	0 SQ. FT.	0 SQ. FT.	0 SQ. FT.

118+00.00



	STAGE 1	STAGE 2	STAGE 3
EARTH EXCAVATION	136.9 SQ. FT.	0 SQ. FT.	0 SQ. FT.
UNSUITABLE EXCAVATION	180.3 SQ. FT.	0 SQ. FT.	0 SQ. FT.
EMBANKMENT	1341.4 SQ. FT.	0 SQ. FT.	0 SQ. FT.
PDES	0 SQ. FT.	0 SQ. FT.	0 SQ. FT.

117+50.00

FILE NAME = D:\60122-SHT-XSSH101.dgn

USER NAME = YKim
 DESIGNED - MJT
 DRAWN - MJT
 CHECKED - EJC
 DATE - 10/14/2011

REVISIED -
 REVISIED -
 REVISIED -
 REVISIED -

STATE OF ILLINOIS
 DEPARTMENT OF TRANSPORTATION

IL ROUTE 38 CROSS SECTIONS
 SCALE: 1"=10'H 1/4"=5'V SHEET NO. 65 OF 152 SHEETS STA. 117+50.00 TO STA. 118+00.00

F.A. RTE.	SECTION	COUNTY	TOTAL SHEETS	SHEET NO.
			421	308
XS-38-65			CONTRACT NO.	
ILLINOIS FED. AID PROJECT				