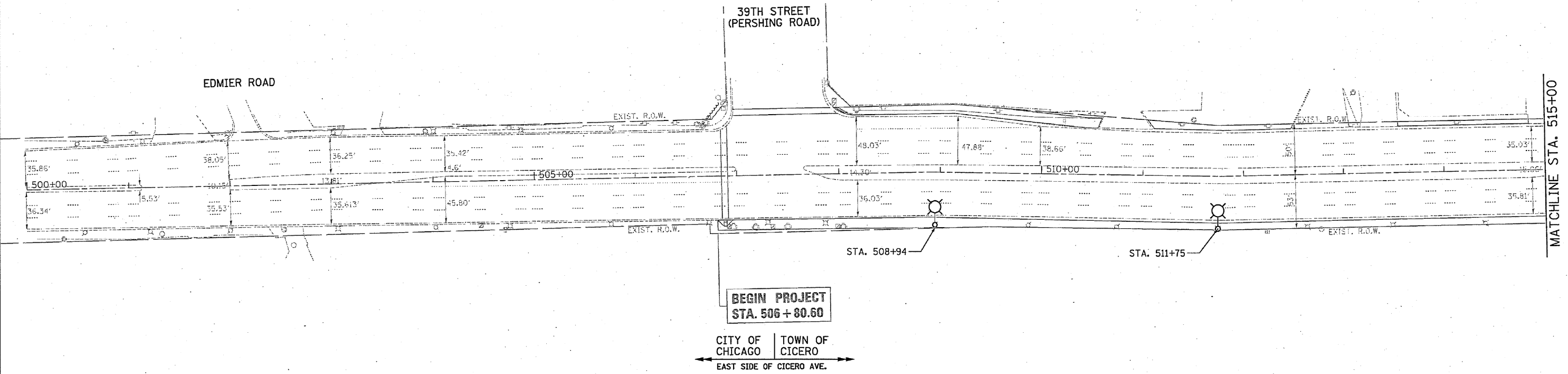




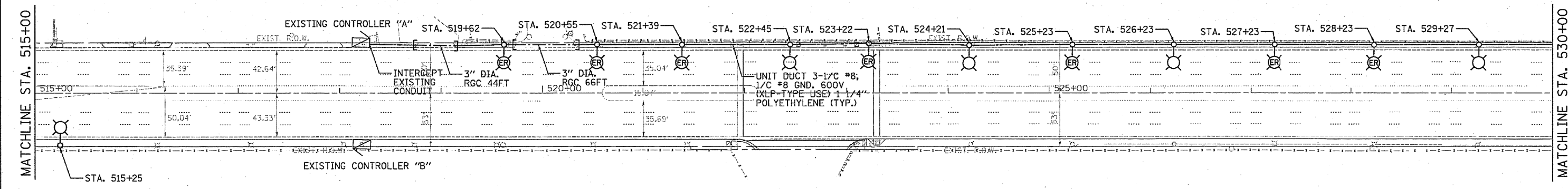
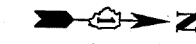
IL. RTE. 50 (CICERO AVENUE)

CITY OF CHICAGO | VILLAGE OF STICKNEY
WEST SIDE OF CICERO AVE.



CITY OF CHICAGO | TOWN OF CICERO
EAST SIDE OF CICERO AVE.

IL. RTE. 50 (CICERO AVENUE)



NOTE:

THE ENVIRONMENTAL FIRM IS REQUIRED TO CONTINUOUSLY MONITOR FOR WORKER PROTECTION AND SOIL CONTAMINATION AT SEVERAL AREAS. SEE SPECIAL PROVISION AND SUPPLEMENTAL SPECIFICATIONS FOR DETAILS.

FILE NAME =	USER NAME = #USER#	DESIGNED - MK	REVISED -
FILES		DRAWN - YJ	REVISED -
	PLOT SCALE = #SCALE#	CHECKED - GR	REVISED -
	PLOT DATE = #DATE#	DATE - 10/14/11	REVISED -

STATE OF ILLINOIS
DEPARTMENT OF TRANSPORTATION

IL RTE. 50 (CICERO AVE.) - (34TH STREET TO PERSHING ROAD)
PROPOSED LIGHTING PLAN
SCALE: 1" = 50' SHEET NO. OF SHEETS STA. 500+00.00 TO STA. 530+00.00

F.A.P. RTE.	SECTION	COUNTY	TOTAL SHEETS	SHEET NO.
350	2010-050-1	COOK	44	19
CONTRACT NO. 60L26				
ILLINOIS FED. AID PROJECT				