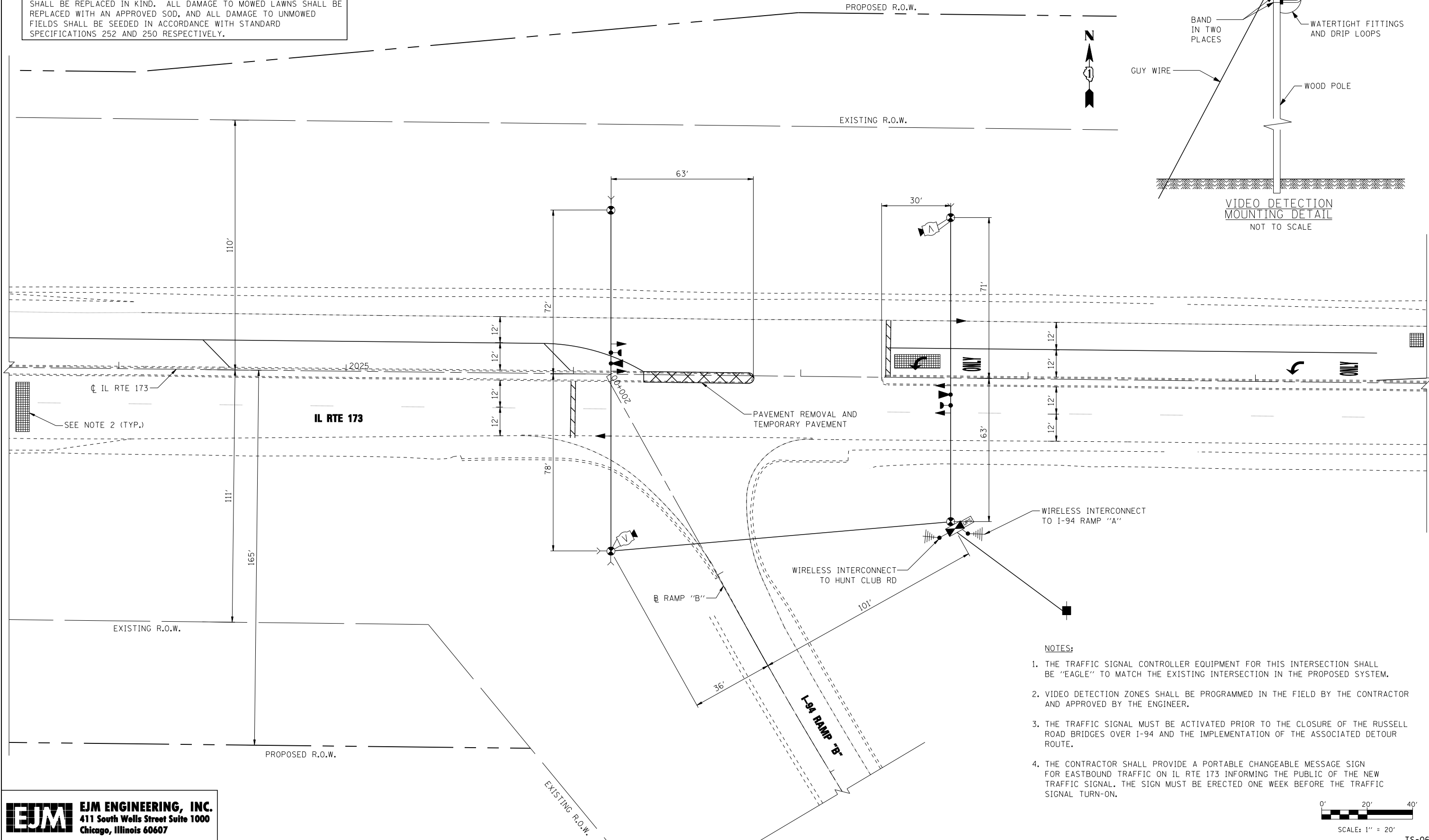
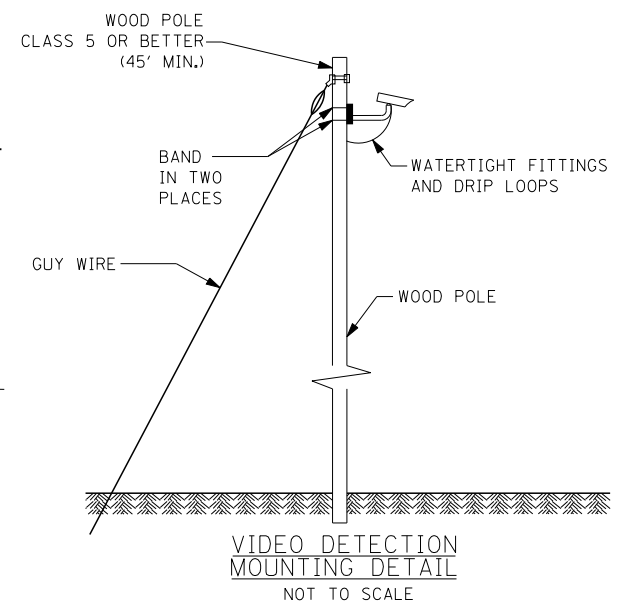
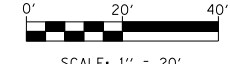


RESTORATION OF WORK AREA, RESTORATION OF THE TRAFFIC SIGNAL WORK AREA SHALL BE INCIDENTAL TO THE RELATED PAY ITEM SUCH AS FOUNDATION, CONDUIT, HANDHOLE, TRENCH AND BACKFILL, ETC., AND NO EXTRA COMPENSATION SHALL BE ALLOWED. ALL ROADWAY SURFACES SUCH AS SHOULDERS, MEDIANS, SIDEWALKS, PAVEMENT, ETC. SHALL BE REPLACED IN KIND. ALL DAMAGE TO MOWED LAWNS SHALL BE REPLACED WITH AN APPROVED SOD, AND ALL DAMAGE TO UNMOWED FIELDS SHALL BE SEEDED IN ACCORDANCE WITH STANDARD SPECIFICATIONS 252 AND 250 RESPECTIVELY.



- NOTES:
1. THE TRAFFIC SIGNAL CONTROLLER EQUIPMENT FOR THIS INTERSECTION SHALL BE "EAGLE" TO MATCH THE EXISTING INTERSECTION IN THE PROPOSED SYSTEM.
 2. VIDEO DETECTION ZONES SHALL BE PROGRAMMED IN THE FIELD BY THE CONTRACTOR AND APPROVED BY THE ENGINEER.
 3. THE TRAFFIC SIGNAL MUST BE ACTIVATED PRIOR TO THE CLOSURE OF THE RUSSELL ROAD BRIDGES OVER I-94 AND THE IMPLEMENTATION OF THE ASSOCIATED DETOUR ROUTE.
 4. THE CONTRACTOR SHALL PROVIDE A PORTABLE CHANGEABLE MESSAGE SIGN FOR EASTBOUND TRAFFIC ON IL RTE 173 INFORMING THE PUBLIC OF THE NEW TRAFFIC SIGNAL. THE SIGN MUST BE ERECTED ONE WEEK BEFORE THE TRAFFIC SIGNAL TURN-ON.



EJM ENGINEERING, INC.
411 South Wells Street Suite 1000
Chicago, Illinois 60607

| | | | |
|-------------|-----------------------------|----------------|-----------|
| FILE NAME = | USER NAME = grai | DESIGNED - RAS | REVISED - |
| | | DRAWN - RAS | REVISED - |
| | PLOT SCALE = 20.0000' / IN. | CHECKED - DLT | REVISED - |
| | PLOT DATE = 1/4/2012 | DATE - 12/2/11 | REVISED - |

**STATE OF ILLINOIS
DEPARTMENT OF TRANSPORTATION**

**TRAFFIC SIGNAL INSTALLATION
IL RTE 173 AT I-94 RAMP "B"**

SCALE: 1" = 20' SHEET NO. 1 OF 1 SHEETS STA. 2023+52 TO STA. 2029+75

| | | | | |
|--------------------|------------------|--------|---------------------------|-----------|
| F.A.I. RTE. | SECTION | COUNTY | TOTAL SHEETS | SHEET NO. |
| 94 | 49-1(HB & HB-1R) | LAKE | 225 | 96 |
| CONTRACT NO. 60L76 | | | ILLINOIS FED. AID PROJECT | |

TS-06