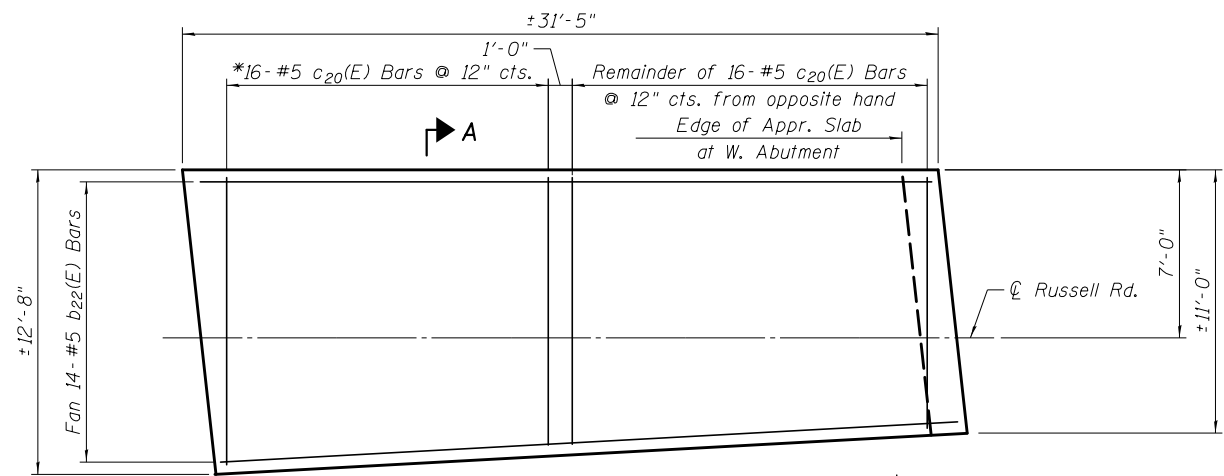
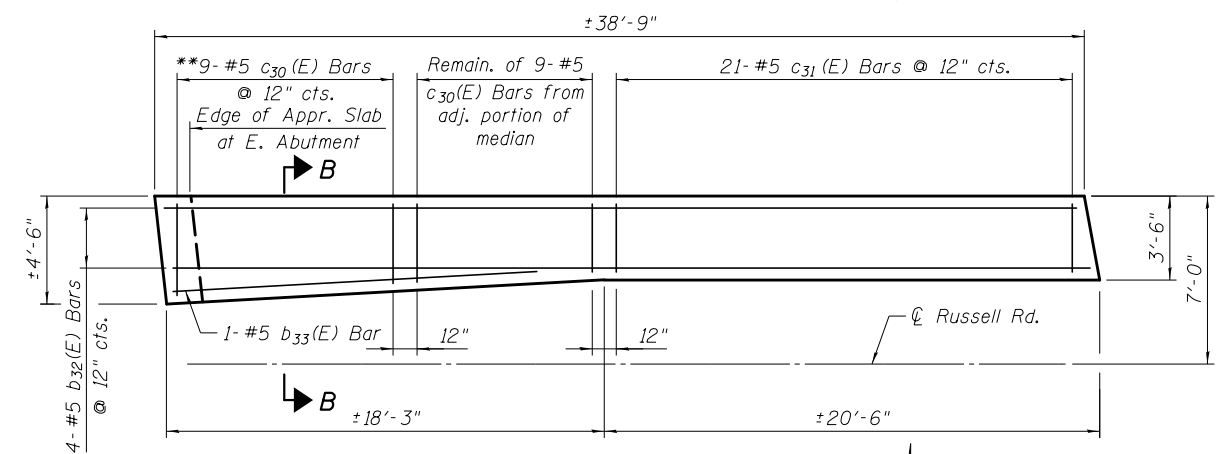


S:\101\05_CADD\60L76_RussellRdwy\60L76_Sheets\0490533-60L76-016-ASD2.dgn 3/7/2012 4:28:08 PM



MEDIAN PLAN - WEST APPROACH SLAB

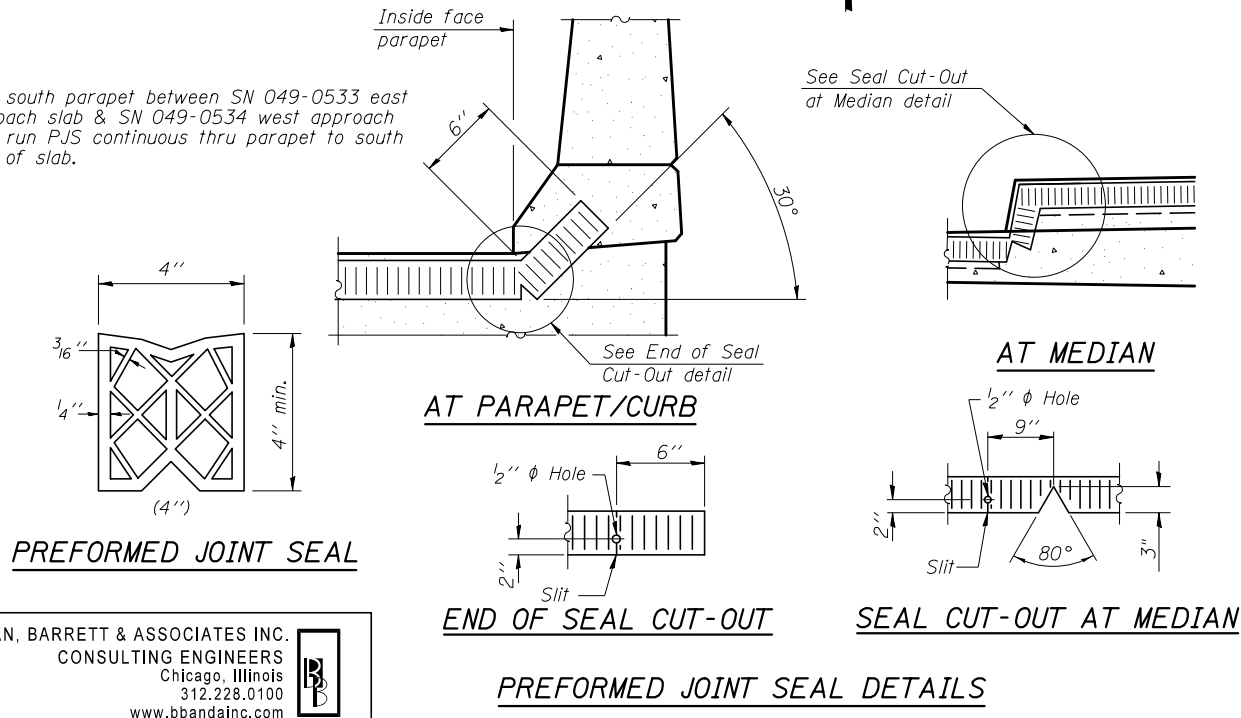
* Cut Bars according to diagram this Sheet and use remainder on opposite end of median



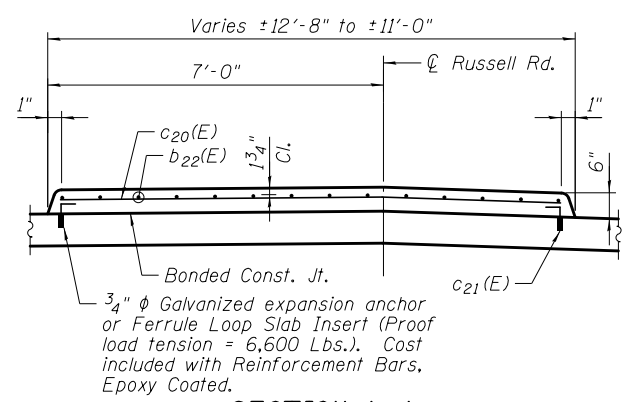
MEDIAN PLAN - EAST APPROACH SLAB

** Cut Bars according to diagram this Sheet and use remainder on adjacent portion of median

Note:
At south parapet between SN 049-0533 east approach slab & SN 049-0534 west approach slab, run PJS continuous thru parapet to south edge of slab.

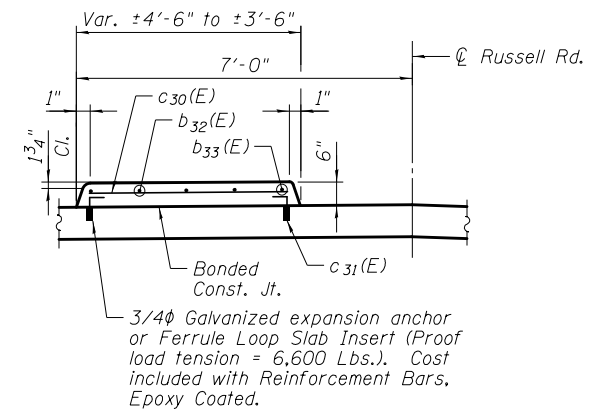


BOWMAN, BARRETT & ASSOCIATES INC.
CONSULTING ENGINEERS
Chicago, Illinois
312.228.0100
www.bbandainc.com



SECTION A-A

Note:
See Sheet S-2 of S-33 for stamped concrete median detail.



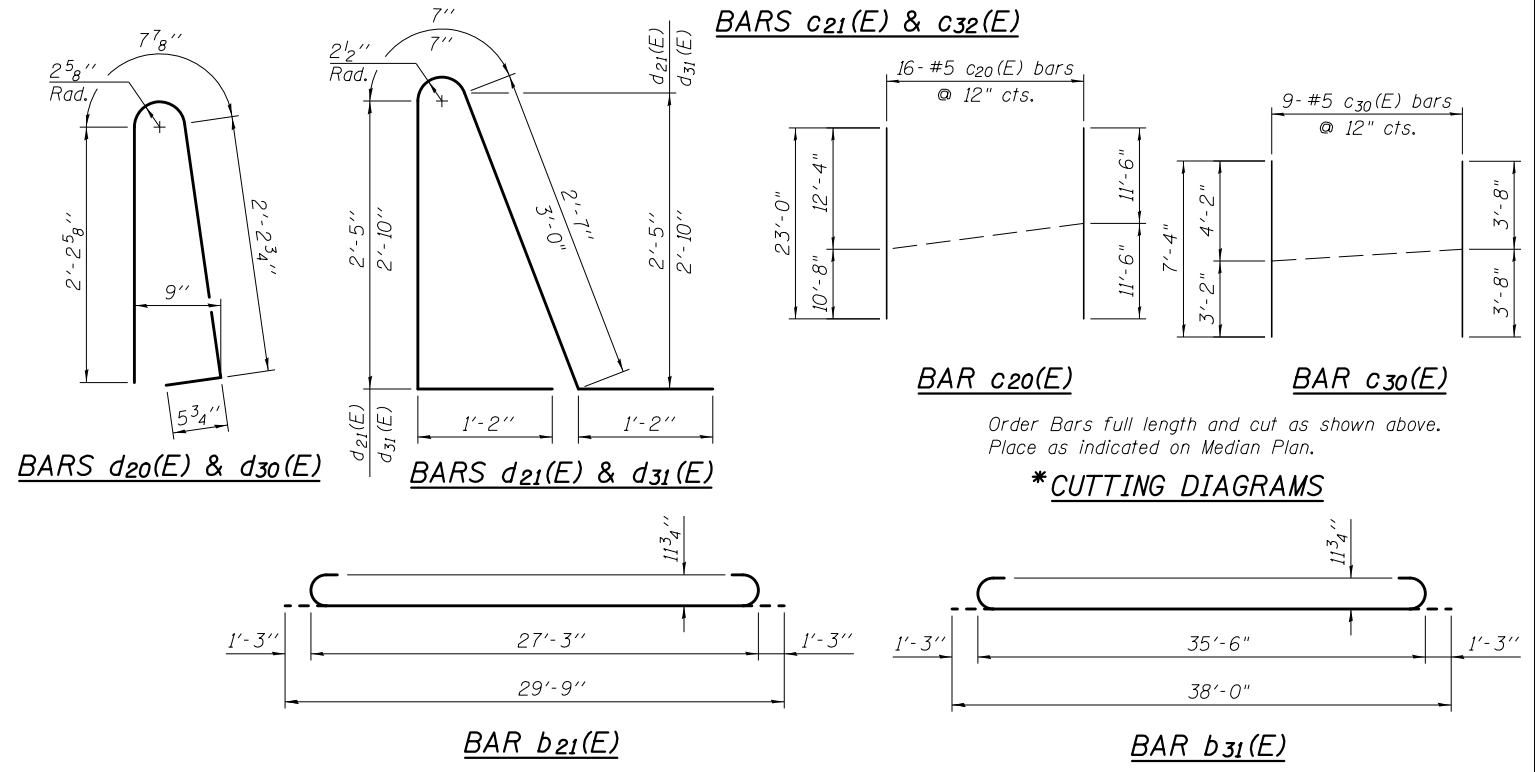
SECTION B-B

WEST APPROACH BILL OF MATERIAL

Bar	No.	Size	Length	Shape
a ₂₀ (E)	75	#4	29'-10"	—
a ₂₁ (E)	92	#5	43'-10"	—
a ₂₂ (E)	24	#6	6'-6"	—
a ₂₃ (E)	24	#6	21'-6"	—
b ₂₀ (E)	68	#4	29'-8"	—
b ₂₁ (E)	202	#9	29'-9"	—
b ₂₂ (E)	14	#5	31'-9"	—
c ₂₀ (E)	16	#5	23'-0"	—
c ₂₁ (E)	64	#5	1'-4"	—
d ₂₀ (E)	70	#5	5'-7"	—
d ₂₁ (E)	68	#5	7'-11"	—
e ₂₀ (E)	28	#4	15'-4"	—
e ₂₁ (E)	2	#8	31'-0"	—
e ₂₂ (E)	2	#4	31'-0"	—
t ₂₀ (E)	170	#4	9'-8"	—
w ₂₀ (E)	60	#5	30'-3"	—
w ₂₁ (E)	40	#5	43'-9"	—
Concrete Superstructure			Cu. Yd.	139.3
Concrete Structures			Cu. Yd.	26.1
Reinforcement Bars, Epoxy Coated			Pound	35,700
Bridge Deck Grooving			Sq. Yd.	183
Protective Coat			Sq. Yd.	324

EAST APPROACH BILL OF MATERIAL

Bar	No.	Size	Length	Shape
a ₃₀ (E)	132	#4	30'-0"	—
a ₃₁ (E)	108	#5	43'-10"	—
a ₃₂ (E)	43	#6	6'-6"	—
a ₃₃ (E)	43	#6	21'-6"	—
b ₃₀ (E)	184	#4	21'-2"	—
b ₃₁ (E)	202	#9	38'-0"	—
b ₃₂ (E)	4	#5	38'-6"	—
b ₃₃ (E)	1	#5	17'-6"	—
c ₃₀ (E)	9	#5	7'-4"	—
c ₃₁ (E)	21	#5	3'-2"	—
c ₃₂ (E)	76	#5	1'-4"	—
d ₃₀ (E)	88	#5	5'-7"	—
d ₃₁ (E)	84	#5	8'-9"	—
e ₃₀ (E)	14	#4	18'-4"	—
e ₃₁ (E)	1	#8	37'-0"	—
e ₃₂ (E)	1	#4	37'-0"	—
e ₃₃ (E)	14	#4	20'-0"	—
e ₃₄ (E)	1	#8	40'-4"	—
e ₃₅ (E)	1	#4	40'-4"	—
t ₃₀ (E)	170	#4	15'-8"	—
w ₃₀ (E)	96	#5	30'-4"	—
w ₃₁ (E)	64	#5	43'-10"	—
Concrete Superstructure			Cu. Yd.	223.6
Concrete Structures			Cu. Yd.	42.0
Reinforcement Bars, Epoxy Coated			Pound	48,160
Bridge Deck Grooving			Sq. Yd.	245
Protective Coat			Sq. Yd.	392



***CUTTING DIAGRAMS**

STATE OF ILLINOIS
DEPARTMENT OF TRANSPORTATION

BRIDGE APPROACH SLAB DETAILS II
STRUCTURE NO. 049-0533

SHEET NO. S-15 OF S-33 SHEETS

F.A.U. RTE.	SECTION	COUNTY	TOTAL SHEETS	SHEET NO.
1199	49-1(HB & HB-1R)	LAKE	225	129
CONTRACT NO. 60L76				

ILLINOIS FED. AID PROJECT