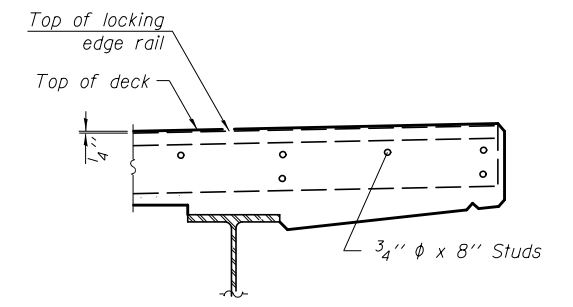
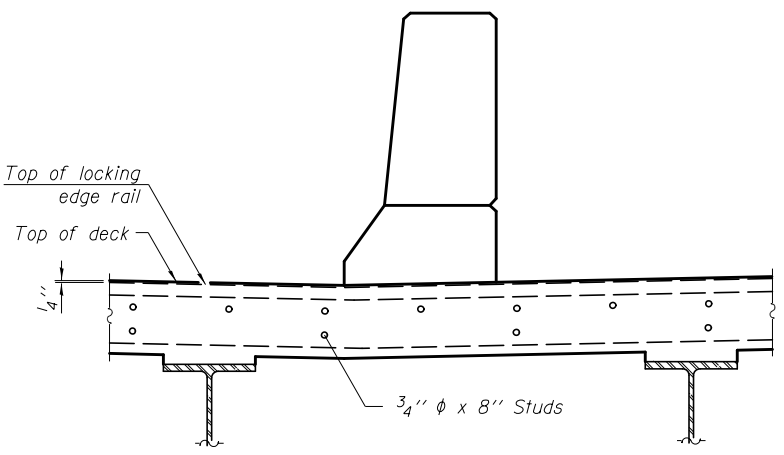
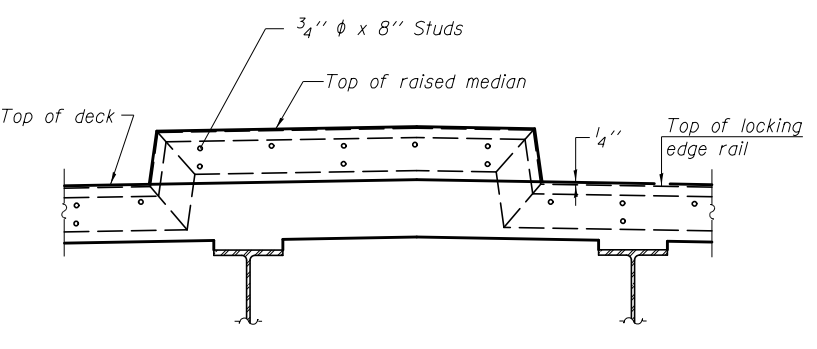
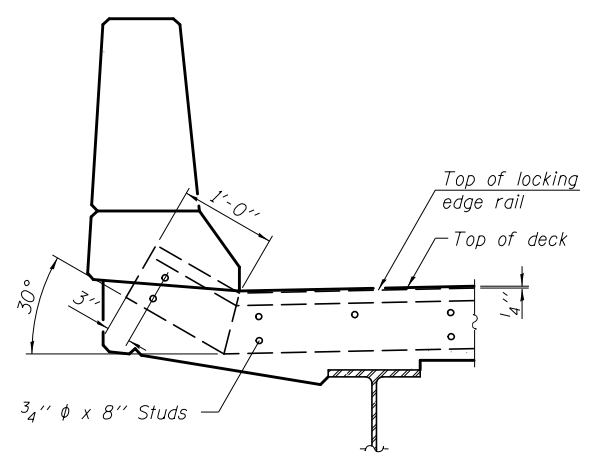
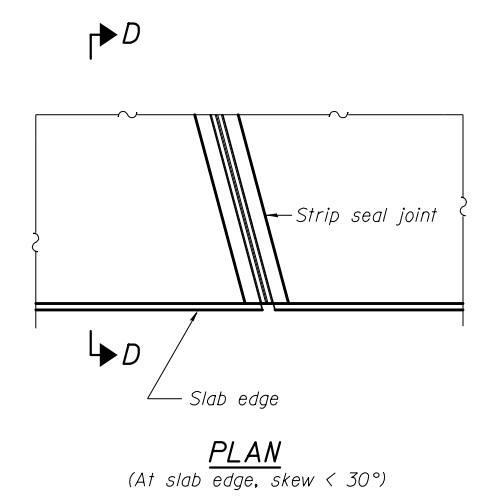
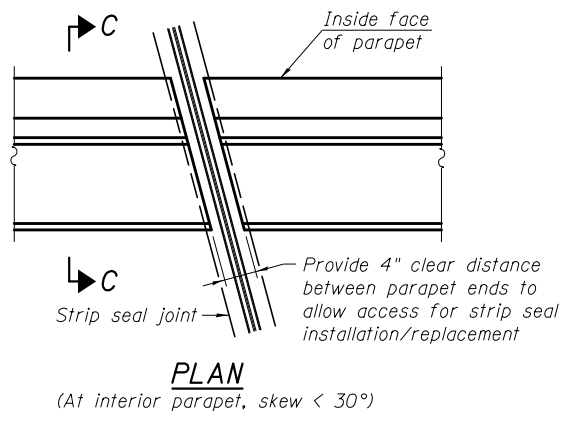
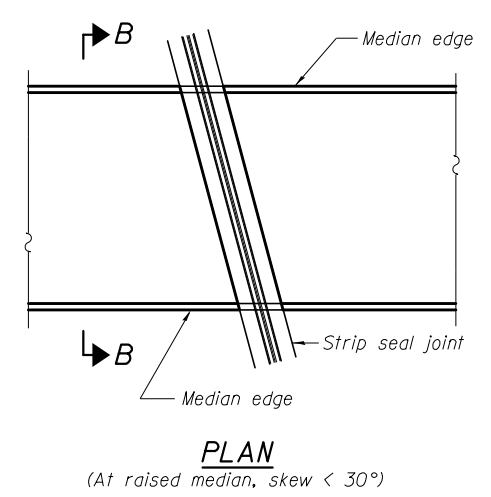
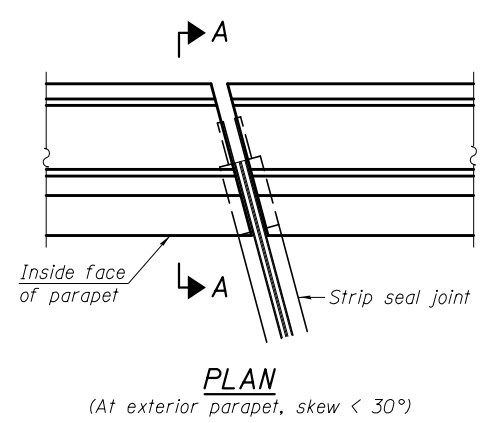
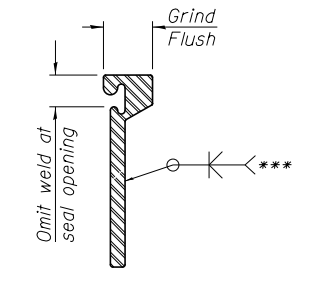
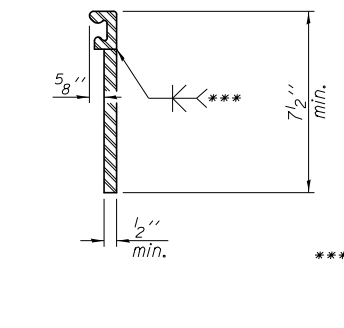
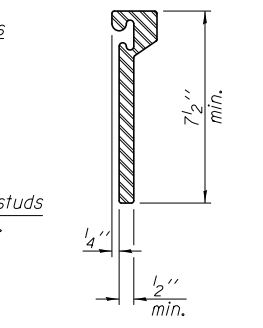
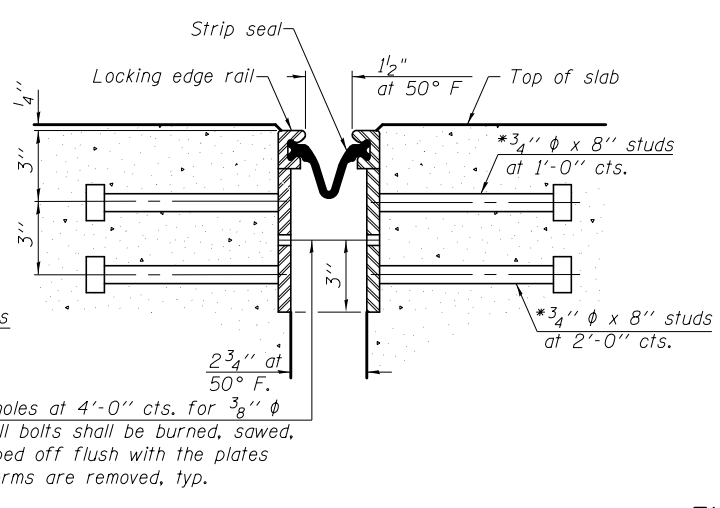
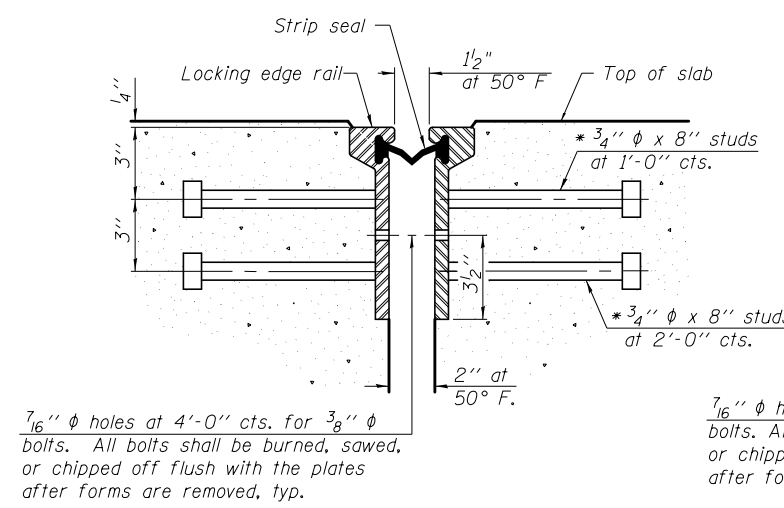


3/7/2012 4:28:09 PM

S:\101\05_CADD\60L76_RussellRdwy\60L76_Sheets\0490533-60L76-018-P.J.S.dgn



SECTION B-B
Shorter plates with a single row of studs at 12" cts. may be necessary on medians which are shallower than 9". See manufacturer's recommendation.



*** Back gouge not required if complete joint penetration is verified by mock-up.

LOCKING EDGE RAILS
The inside of the locking edge rail groove shall be free of weld residue.
Rolled rail shown, welded rail similar.

Notes:
The strip seal shall be made continuous and shall have a minimum thickness of 1/4". The configuration of the strip seal shall match the configuration of the Locking Edge Rails. Open or "webbed" strip seal gland configurations are not permitted. The gland shall be sized for a maximum rated movement of 4 inches.
The Locking Edge Rails depicted are conceptual only, except for the minimum dimensions shown. The actual configuration of the Locking Edge Rails and matching strip seal may vary from manufacturer to manufacturer. Flanged edge rails will not be allowed. Locking Edge Rails may be spliced at slope discontinuities.
The manufacturer's recommended installation methods shall be followed.
The joint opening and deck dimensions detailed on the superstructure are based on a rolled rail expansion joint. If the Contractor elects to use the welded rail expansion joint, the opening and deck dimensions shall be modified according to the dimensions detailed on this sheet. Required modifications shall be made at no additional cost to the State.
All steel components shall be galvanized after fabrication according to Article 520.03 of the Standard Specifications. Maximum space between rail segments shall be 3/16", sealed with a suitable sealant.

BILL OF MATERIAL

Item	Unit	Total
Preformed Joint Strip Seal	Foot	174

BOWMAN, BARRETT & ASSOCIATES INC.
CONSULTING ENGINEERS
Chicago, Illinois
312.228.0100
www.bbandainc.com

SECTION THRU ROLLED RAIL JOINT

SECTION THRU WELDED RAIL JOINT

* Granular or solid flux filled headed studs conforming to Article 1006.32 of the Std. Specs., automatically end welded.

FILE NAME =	USER NAME =	DESIGNED - MRM	REVISED -
		CHECKED - TL	REVISED -
		DRAWN - MTR	REVISED -
		CHECKED - SF	REVISED -
PLOT SCALE = N.T.S.			
PLOT DATE = 3/7/2012			

STATE OF ILLINOIS
DEPARTMENT OF TRANSPORTATION

PREFORMED JOINT STRIP SEAL
STRUCTURE NO. 049-0533

SHEET NO. S-17 OF S-33 SHEETS

F.A.U. RTE.	SECTION	COUNTY	TOTAL SHEETS	SHEET NO.
1199	49-1(HB & HB-1R)	LAKE	225	131
CONTRACT NO. 60L76				
ILLINOIS FED. AID PROJECT				