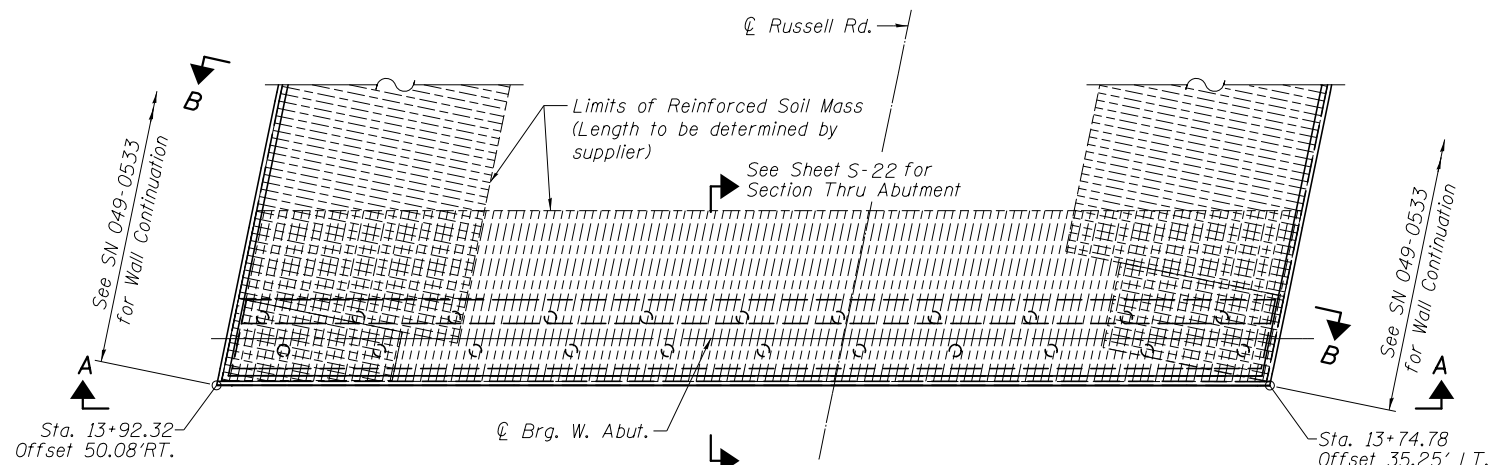
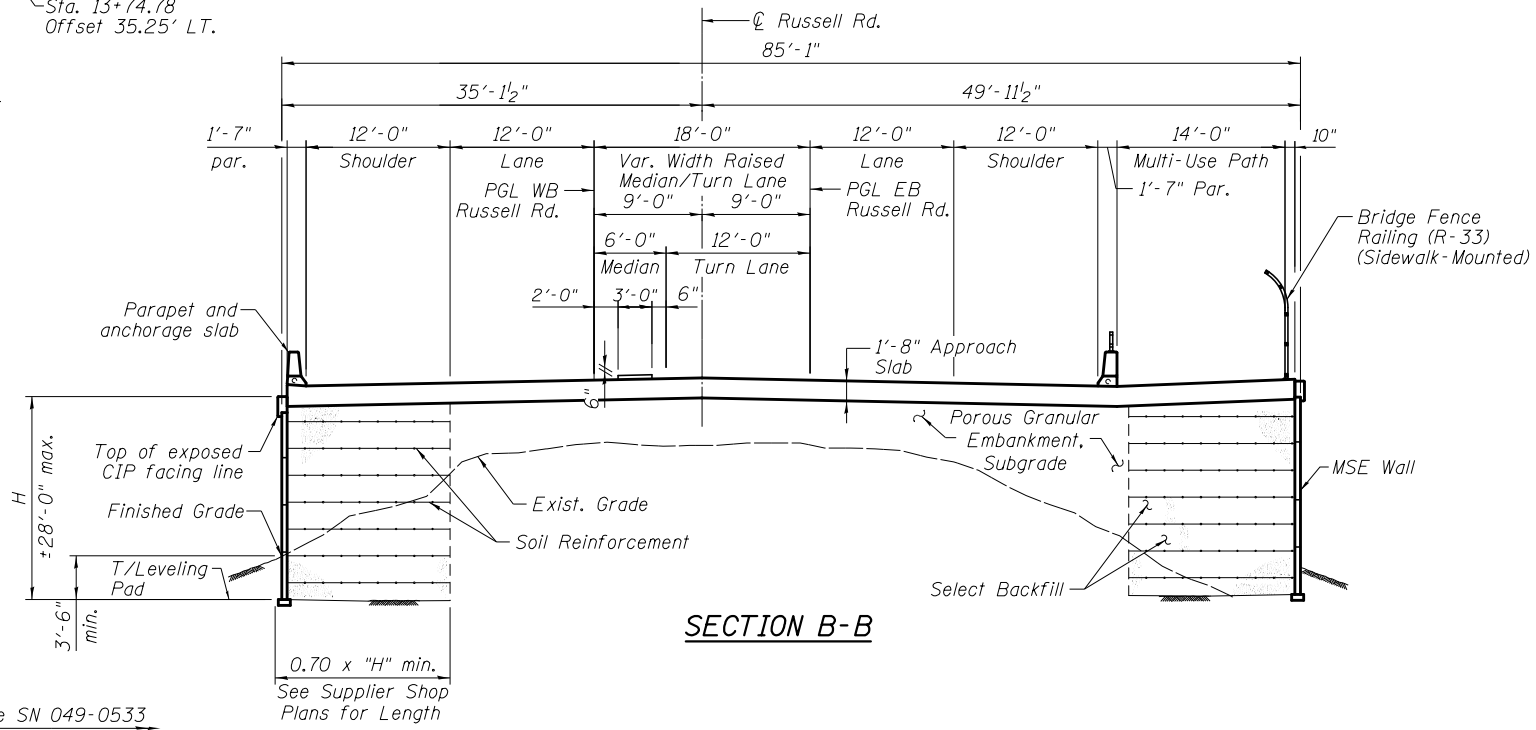


3/7/2012 4:58:19 PM

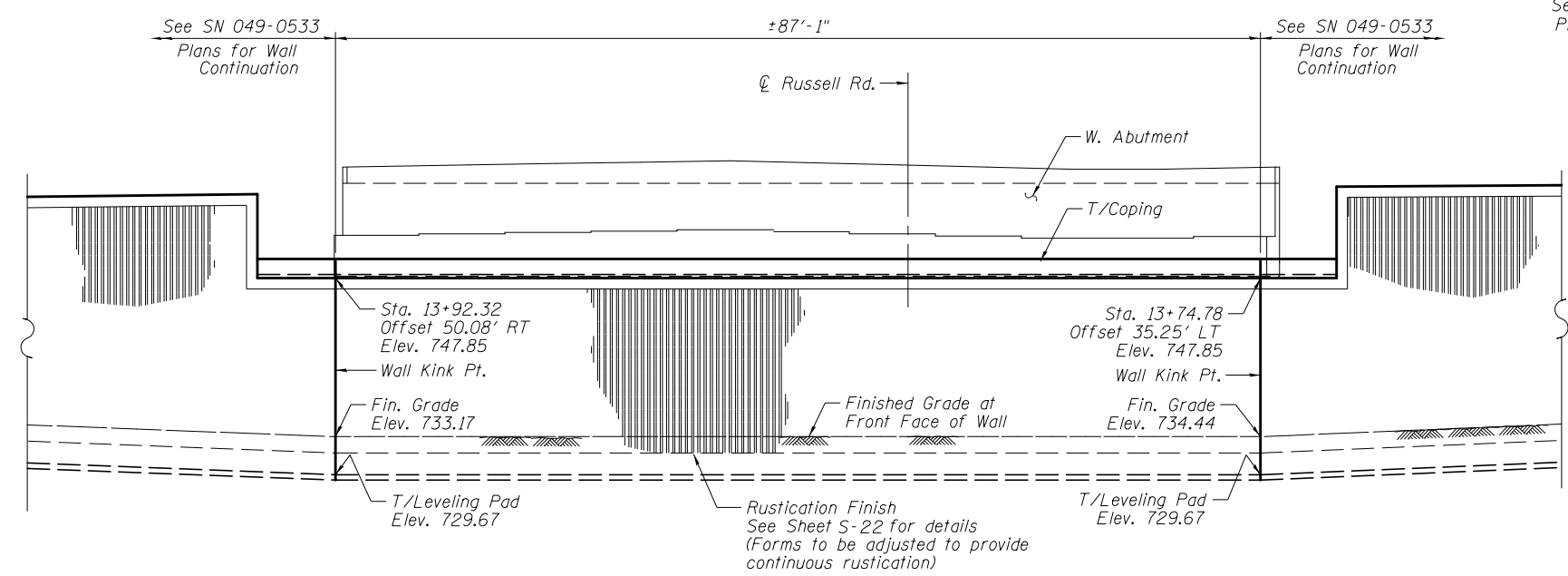
S:\101\05_CADD\60L76_RussellRdwy\60L76_Sheets\0490534-60L76-02-MSEW.dgn



MSE WALL PLAN - WEST ABUTMENT
All offsets measured to MSE Wall Front Face, perpendicular to $\text{C} \text{ Russell Rd.}$



SECTION B-B



VIEW A-A
MSE WALL ELEVATION - WEST ABUTMENT
(Looking West)

BOWMAN, BARRETT & ASSOCIATES INC.
CONSULTING ENGINEERS
Chicago, Illinois
312.228.0100
www.bbandainc.com

FILE NAME =	USER NAME =	DESIGNED - MRM	REVISIONS -
		CHECKED - TL	REVISIONS -
		DRAWN - MTR	REVISIONS -
		CHECKED - SF	REVISIONS -
	PLOT SCALE = N.T.S.		
	PLOT DATE = 3/7/2012		

STATE OF ILLINOIS
DEPARTMENT OF TRANSPORTATION

MSE WALLS, WEST ABUTMENT
STRUCTURE NO. 049-0534

SHEET NO. S-20 OF S-31 SHEETS

F.A.U. RTE.	SECTION	COUNTY	TOTAL SHEETS	SHEET NO.
1199	49-1(HB & HB-1R)	LAKE	225	167
CONTRACT NO. 60L76				
ILLINOIS FED. AID PROJECT				