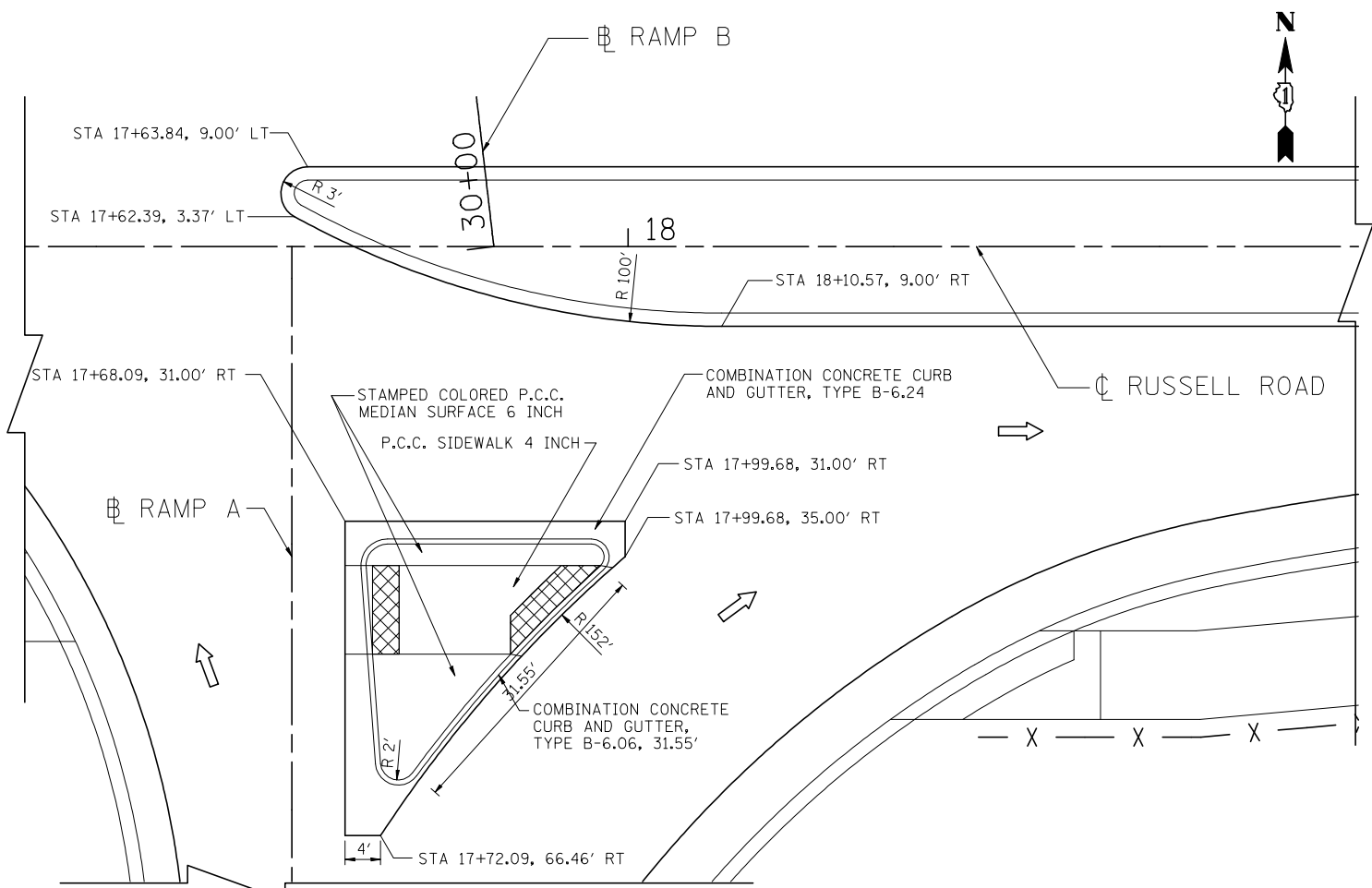
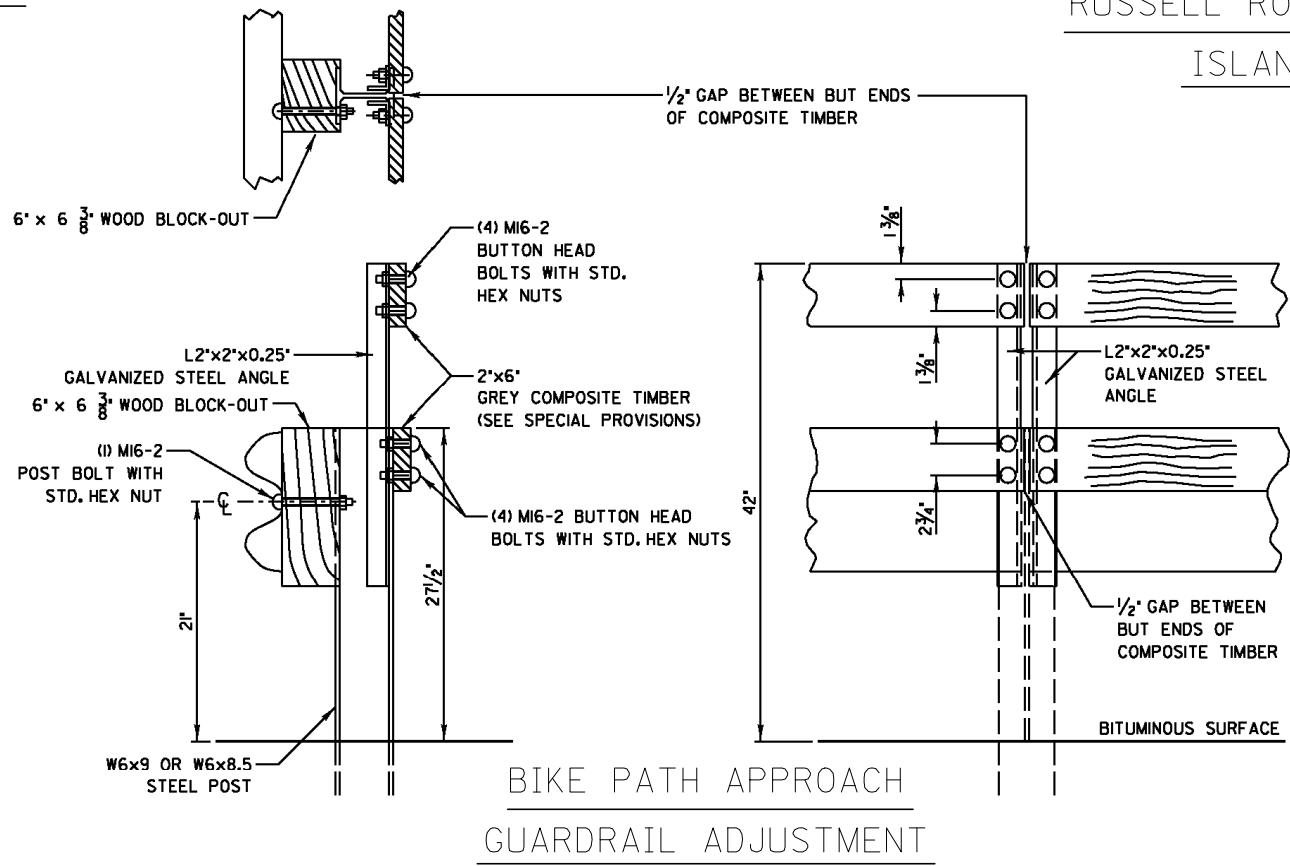


RUSSELL ROAD AND RAMP C
ISLAND DETAIL



RUSSELL ROAD AND RAMP A
ISLAND DETAIL



BOLT HOLE DETAIL

1 1/8"

3/4"

DUE TO EXPANSION AND CONTRACTION OF THE COMPOSITE TIMBER, THE LOCATION OF THE BOLTS WITH RESPECT TO THE SLOTTED BOLT HOLES IN THE COMPOSITE TIMBER WILL BE DEPENDANT ON THE AMBIENT TEMPERATURE AT PLACEMENT. CONSULT THE MANUFACTURER FOR BOLT HOLE LOCATION IN THE COMPOSITE TIMBER AND BOLT LOCATION IN THE SLOTTED BOLT HOLE.

BOWMAN, BARRETT & ASSOCIATES INC.
CONSULTING ENGINEERS
Chicago, Illinois
312.228.0100
www.bbandainc.com

FILE NAME = #FILES#	USER NAME = default	DESIGNED - RGR	REVISED -
		DRAWN - RGR	REVISED -
		CHECKED - RGR	REVISED -
		DATE - 03/09/2012	REVISED -

**STATE OF ILLINOIS
DEPARTMENT OF TRANSPORTATION**

CIVIL DETAILS	
SCALE: NONE	SHEET NO. 1 OF 2 SHEETS
STA. NA	TO STA. NA

F.A. RTE.	SECTION	COUNTY	TOTAL SHEETS	SHEET NO.
94	49-1(HB & HB-1R)	LAKE	225	179
CONTRACT NO. 60L76				
ILLINOIS FED. AID PROJECT				

S:\1101\95-CADD\60L76 Russell Rdwy\60L76 Sheets\0160L76-ah-civil detail.bdg