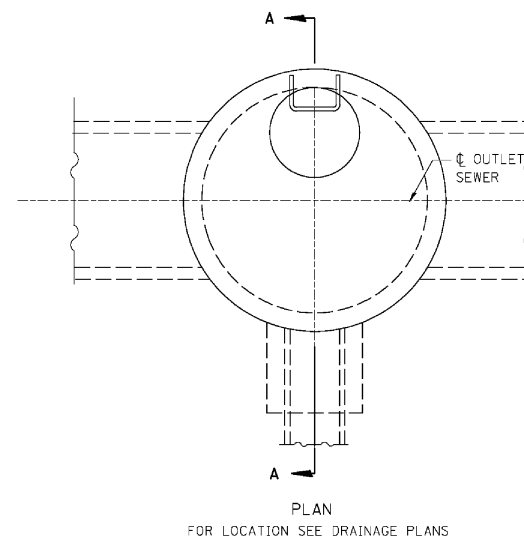
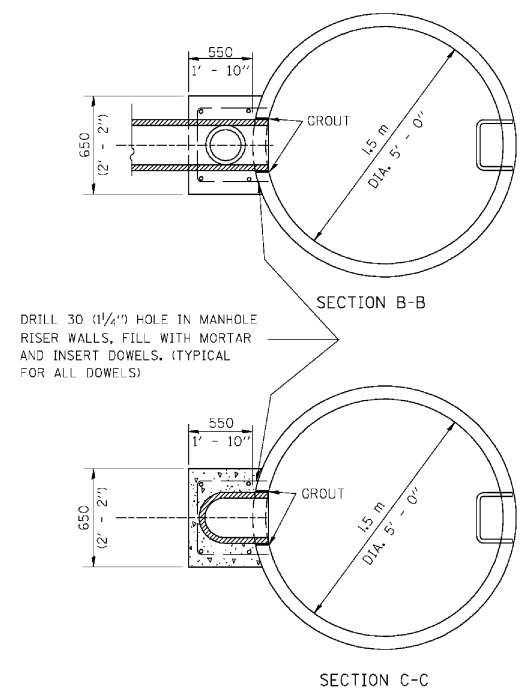
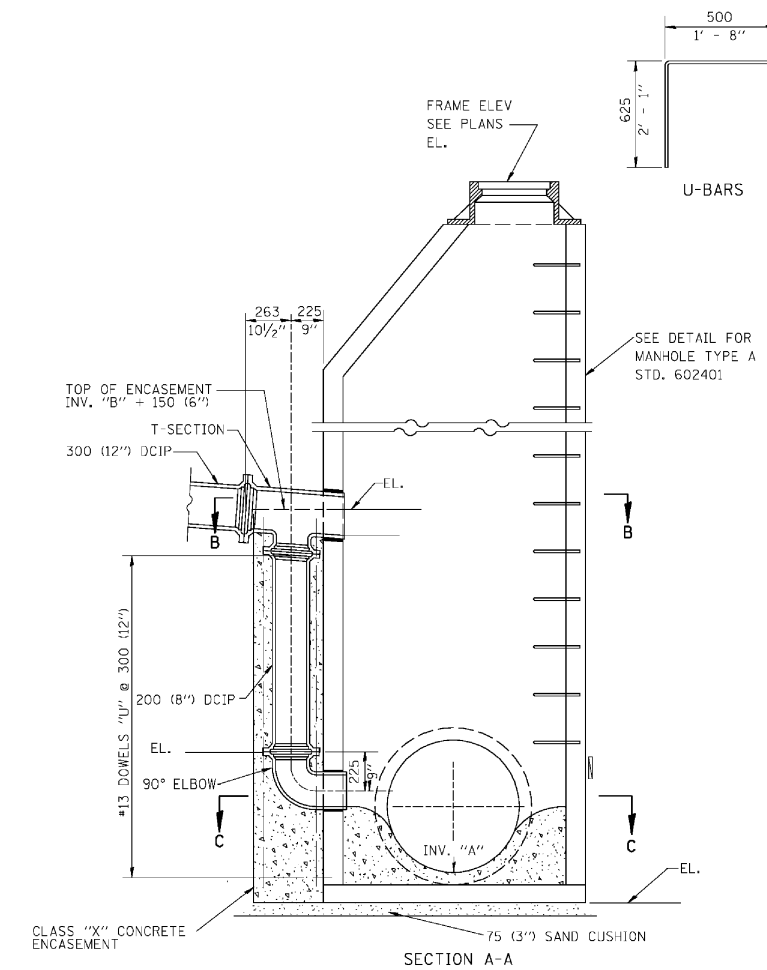


F. A. RITE	SECTION	COUNTY	TOTAL SHEETS	SHEET NO
94	49-1(HB & HB-1)R	LAKE	225	182
STA. NA		TO STA. NA		
FED. ROAD DIST. NO. 7	ILLINOIS	FED. AID PROJECT	60L76	



ENCASEMENT DETAILS			
DROP M.H. LOCATION STA., OFFSET			
INV. "A"			
INLET PIPE			
INV. "B"			
INV. "C"			
A			
B			
"V" BAR LENGTH			
NO. OF "U" BARS			
REINF. BARS			
CLASS "S" CONC. CUBIC METER (CU. YD.)			



- TYPE A1-1 MANHOLE WITH 1 DROP AND DEPTH UP TO 3 m (10')
- TYPE A1-2 " " " " " FROM 3 m TO 1.5 m (10' TO 15')
- TYPE A1-3 " " " " " FROM 1.5 m TO 6 m (15' TO 20')
- TYPE A1-4 " " " " " OVER 6 m (20')
  
- TYPE A2-1 MANHOLE WITH 2 DROPS AND DEPTH UP TO 3 m (10')
- TYPE A2-2 " " " " " FROM 3 m TO 1.5 m (10' TO 15')
- TYPE A2-3 " " " " " FROM 1.5 m TO 6 m (15' TO 20')
- TYPE A2-4 " " " " " OVER 6 m (20')

REVISIONS	
NAME	DATE

ALL DIMENSIONS ARE IN MILLIMETERS (INCHES) UNLESS OTHERWISE SHOWN

ILLINOIS DEPARTMENT OF TRANSPORTATION

### DROP MANHOLE DETAILS

SCALE: NONE  
DATE 10/18/2002

DRAWN BY: jls  
CHECKED BY: BD600-05 (BD-16)  
REVISION DATE: