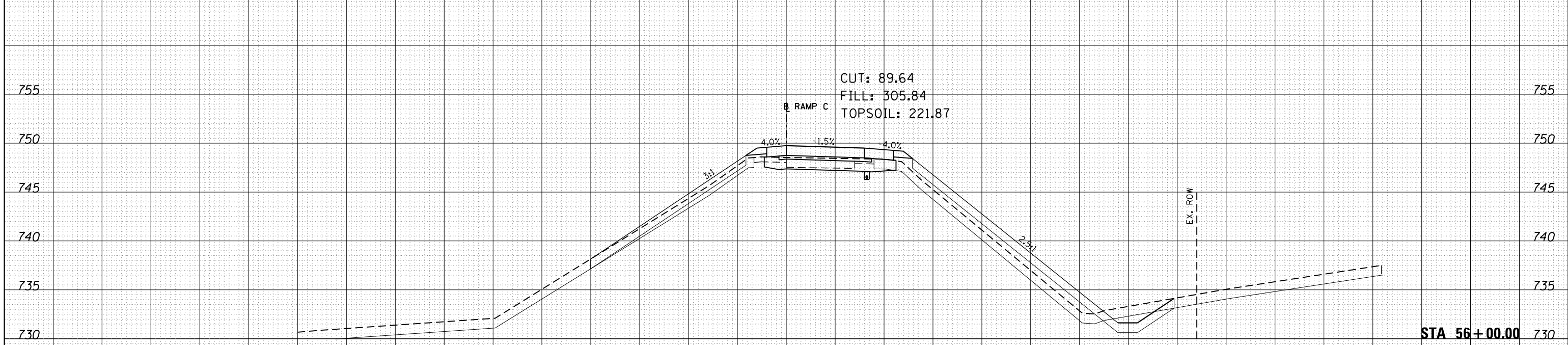
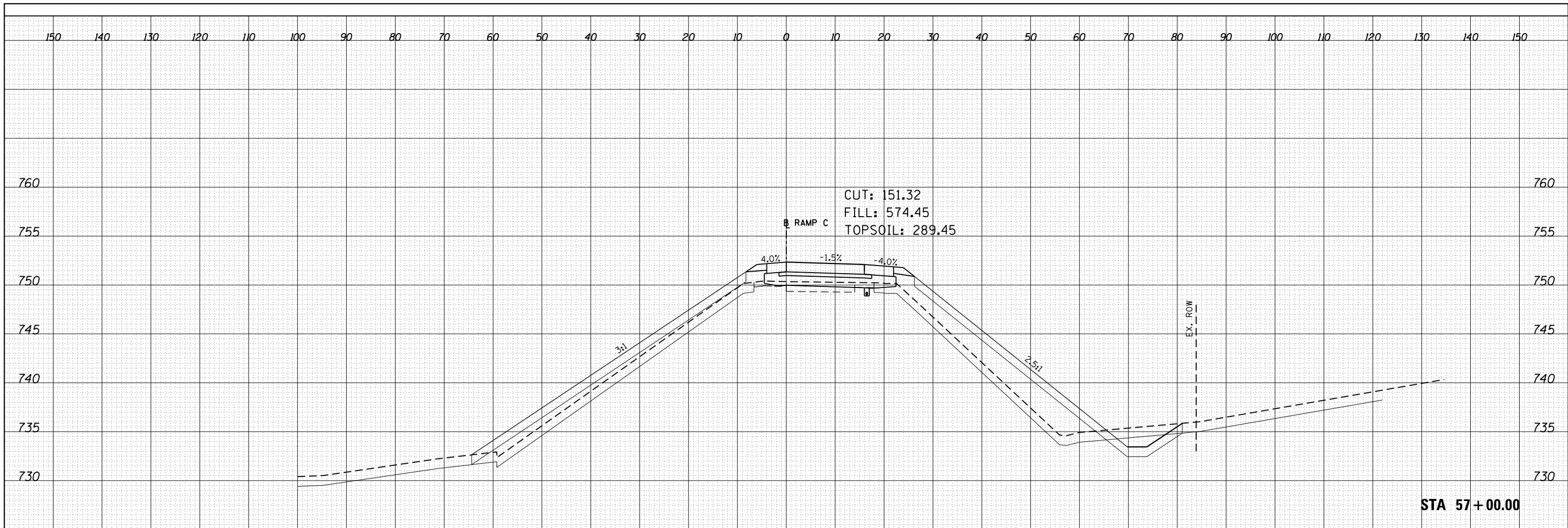


DATE	
BY	
SURVEYED	
PLOTTED	
TEMPLATE	
AREAS	
AREAS CHECKED	
FINAL SURVEY NOTE BOOK NO.	

DATE	
BY	
SURVEYED	
PLOTTED	
TEMPLATE	
AREAS	
AREAS CHECKED	
ORIGINAL SURVEY NOTE BOOK NO.	



BOWMAN, BARRETT & ASSOCIATES INC.
CONSULTING ENGINEERS
Chicago, Illinois
312.228.0100
www.bbandainc.com

FILE NAME =	USER NAME = default
FILEL	

DESIGNED -	PTG	REVISED -	
DRAWN -	PTG	REVISED -	
CHECKED -	RGR	REVISED -	
DATE -	03/09/2012	REVISED -	

STATE OF ILLINOIS
DEPARTMENT OF TRANSPORTATION

RAMP C
CROSS SECTION SHEET
SCALE: SHEET NO.15 OF 27 SHEETS STA. 56+00.00 TO STA. 57+00.00

F.A. RTE.	SECTION	COUNTY	TOTAL SHEETS	SHEET NO.
94	49-1(HB & HB-1R)	LAKE	225	213
CONTRACT NO. 60L76				
ILLINOIS FED. AID PROJECT				