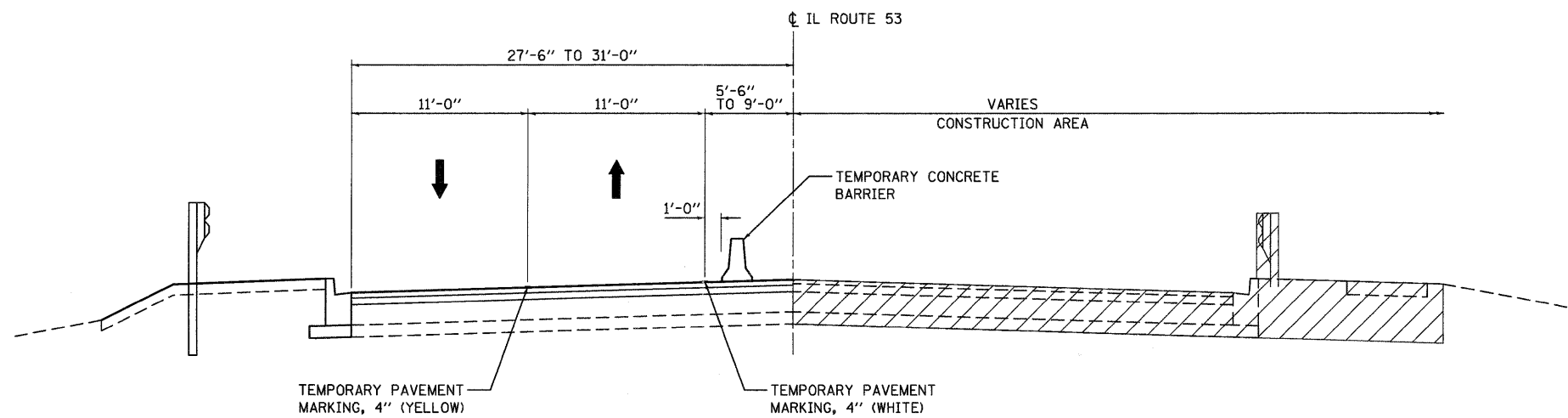


STAGE 1
STA. 98 + 63 TO STA. 101 + 65



STAGE 2
STA. 98 + 63 TO STA. 101 + 65

FILE NAME =
 ...\\D162M83-sht-staging-typical.dgn



DESIGNED - ADW
 DRAWN - GEW
 CHECKED - RJD
 DATE - 10/4/2011

REVISED -
 REVISED -
 REVISED -
 REVISED -

STATE OF ILLINOIS
 DEPARTMENT OF TRANSPORTATION

IL ROUTE 53 OVER ST JOSEPH'S CREEK
 MAINTENANCE OF TRAFFIC
 TYPICAL SECTIONS

SCALE: 1/8" = 1' (HORIZ.)
 1/4" = 10' (VERT.) SHEET NO. 2 OF 4 SHEETS STA. TO STA.

| F.A.P. RTE. | SECTION | COUNTY | TOTAL SHEETS | SHEET NO. |
|---------------------------|---------|--------|--------------------|-----------|
| 870 | 534R-B | DuPAGE | 51 | 11 |
| | | | CONTRACT NO. 60M83 | |
| ILLINOIS FED. AID PROJECT | | | | |