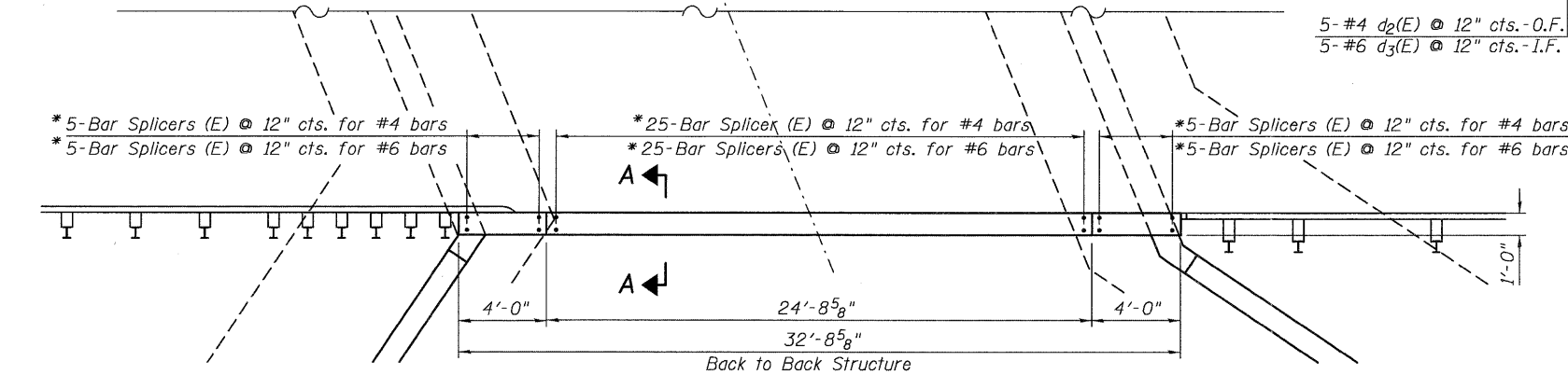


Showing Parapet/Headwall Reinforcement (Typ.)

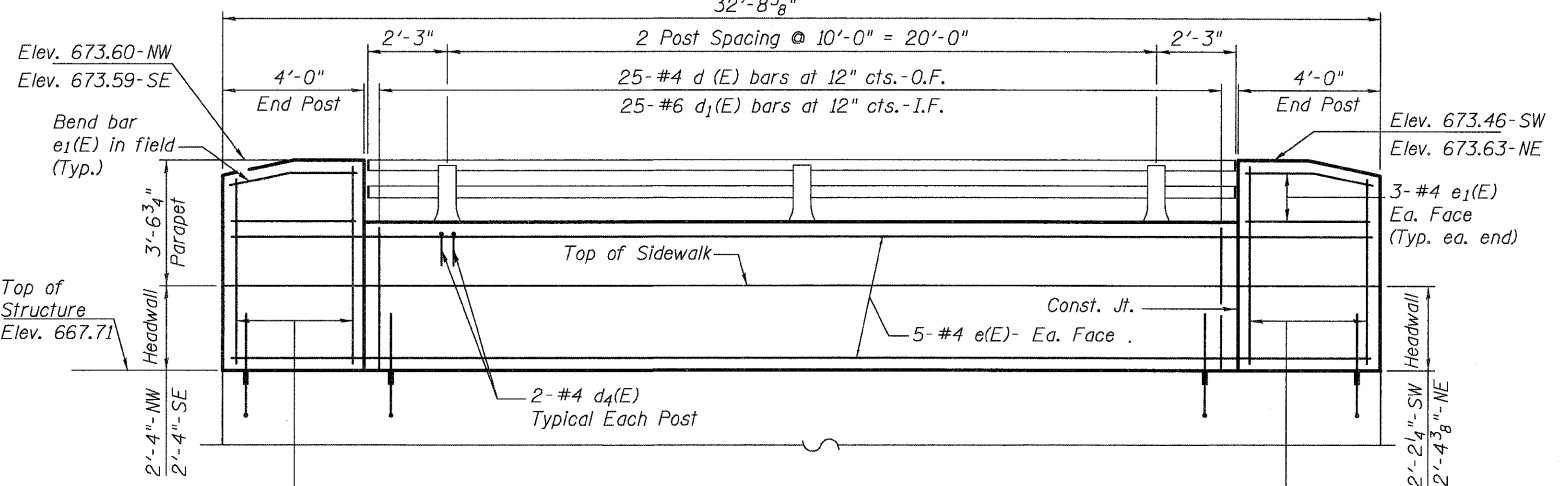


Showing Bar Splicers (Typ.)

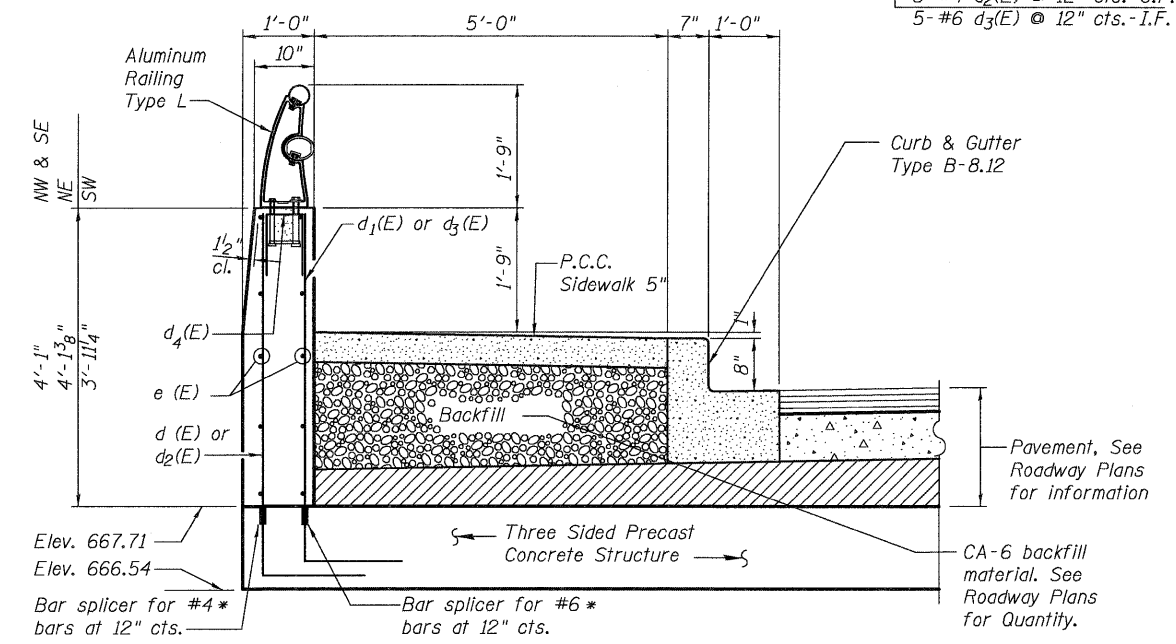
PARTIAL PLAN OF THREE SIDED STRUCTURE AND PARAPET/HEADWALL

* The cost of the bar splicer assemblies for the headwall shall be included in the cost of the Three-Sided Precast Concrete Structures, 28'x10'

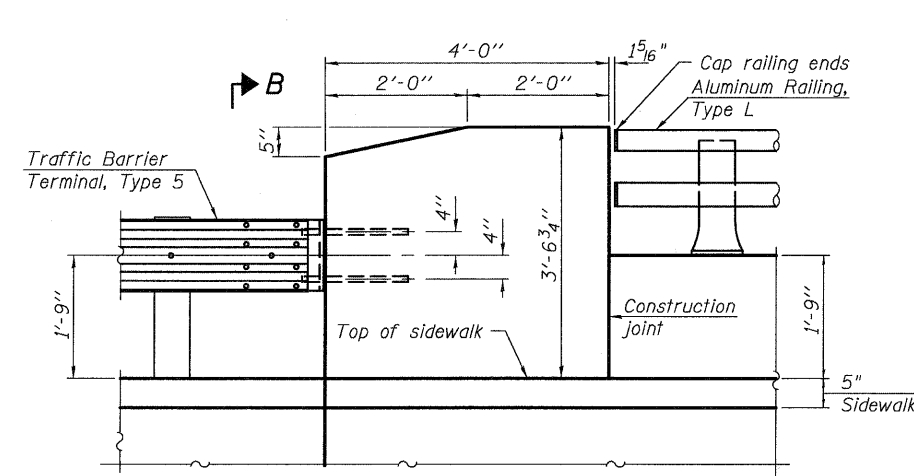
O.F. = Outside Face
I.F. = Inside Face



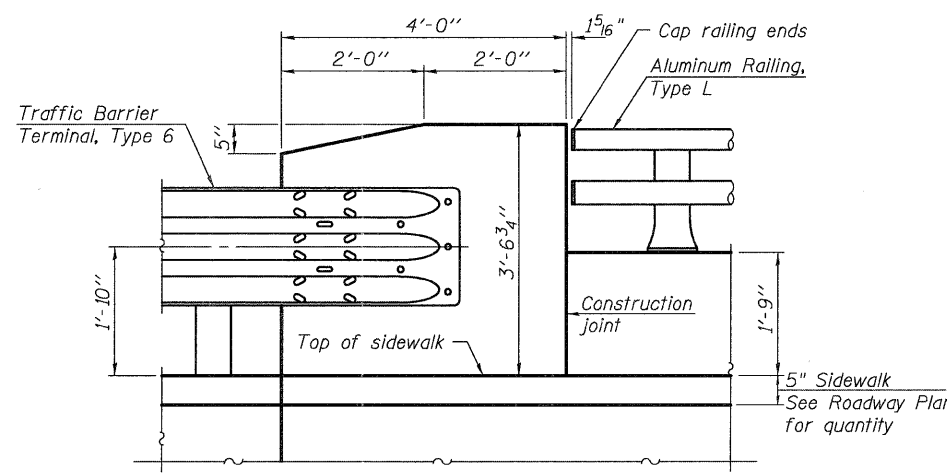
OUTSIDE ELEVATION OF HEADWALL/PARAPET



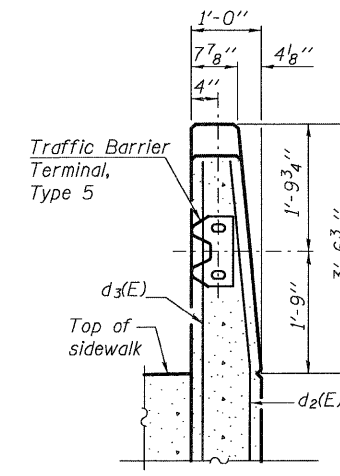
SECTION A-A



ELEVATION



ELEVATION



SECTION B-B

BILL OF MATERIAL HEADWALLS AND PARAPETS

Bar	No.	Size	Length	Shape	
d (E)	50	#4	3'-9"	—	
d ₁ (E)	50	#6	3'-9"	—	
d ₂ (E)	20	#4	5'-7"	—	
d ₃ (E)	20	#6	5'-7"	—	
d ₄ (E)	12	#4	2'-0"	□	
e (E)	20	#4	32'-5"	—	
e ₁ (E)	24	#4	3'-9"	—	
Item				Unit	Total
Reinforcement Bars, Epoxy Coated				Pound	1,160
Concrete Superstructure				Cu. Yd.	10.5
Protective Coat				Sq. Yd.	59