

**BILL OF MATERIAL  
FOUNDATION ONLY \*\*\***

Bar	No.	Size	Length	Shape
h <sub>10</sub>	20	#5	40'-8"	—
h <sub>11</sub>	20	#5	41'-9"	—
n	340	#5	3'-11"	□
s	170	#5	13'-5"	□
t	348	#6	7'-8"	—
t <sub>1</sub>	172	#7	9'-2"	—
w	32	#5	37'-3"	—
w <sub>1</sub>	32	#5	47'-2"	—
w <sub>2</sub>	40	#5	17'-9"	—
w <sub>3</sub>	40	#5	24'-4"	—
Structure Excavation			Cu. Yd.	362
Concrete Structures			Cu. Yd.	187.5
Bar Splicers			Each	52
Reinforcement Bars			Pound	17,300

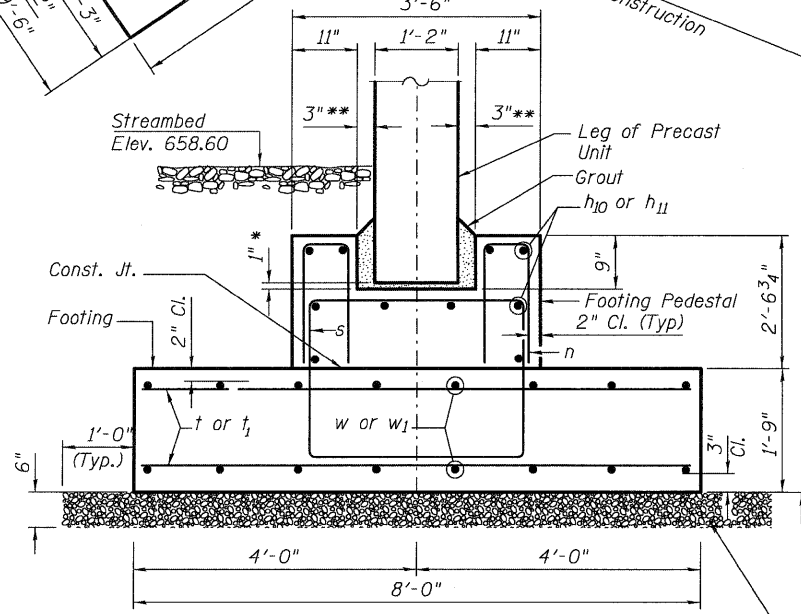
\*\*\* Includes Pedestals and footings of the wingwalls and the Three-Sided Structure.

The quantity of Structure Excavation is for the foundations of wingwalls only. The cost of structure excavation for the three-sided structure is included in the pay item "Three-Sided Precast Concrete Structures, 28'x10'".

**FOUNDATION PLAN**

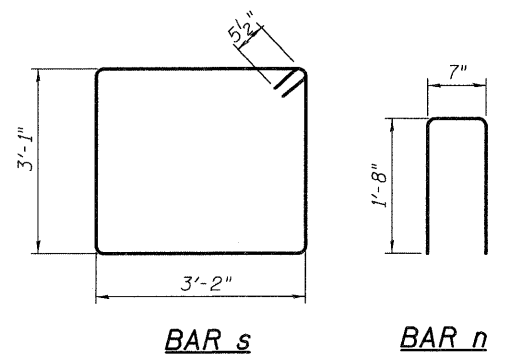
Note:  
Wingwall dowel bars are not shown for clarity.  
See Sheet No. S9 for bar details

- Notes:
- \* 1" Initial grout (2:1 sand and Portland cement, very dry mix).
  - \*\* Varies depending on thickness of leg of Precast Unit.



**SECTION A-A**

Maximum Allowable Bearing Pressure = 10.0 ksf



USER NAME =	DESIGNED - JPM	REVISED -
PLOT SCALE =	CHECKED - JXH	REVISED -
PLOT DATE =	DRAWN - MPS	REVISED -
	CHECKED - JPM/JXH/TPG	REVISED -

STATE OF ILLINOIS  
DEPARTMENT OF TRANSPORTATION

FOUNDATION PLAN AND DETAILS  
STRUCTURE NO. 022-3054 STA. 100 + 00.15

SHEET NO. S8 OF S12 SHEETS

F.A.P. RTE. 870	SECTION 534R-B	COUNTY DUPAGE	TOTAL SHEETS 51	SHEET NO. 36
DATE: OCTOBER 4, 2011   ILLINOIS   FED. AID PROJECT			CONTRACT NO. 60M83	