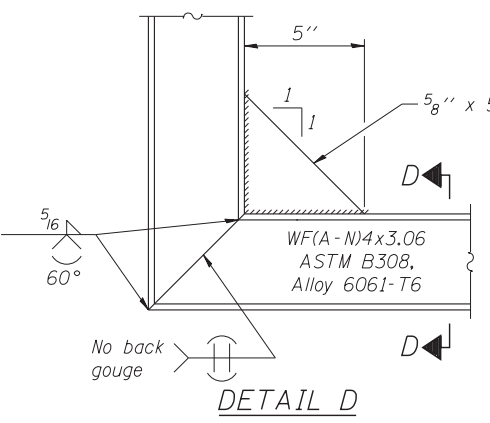
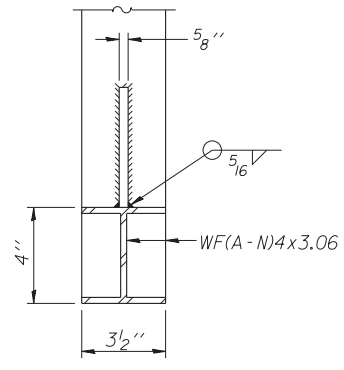
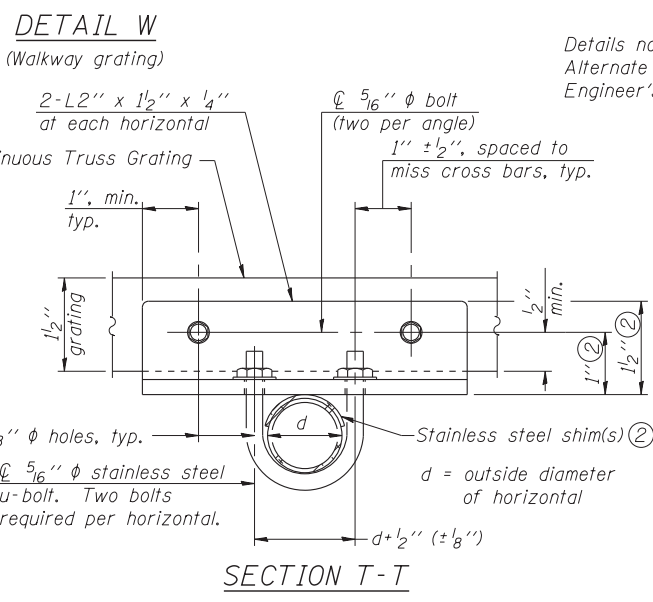
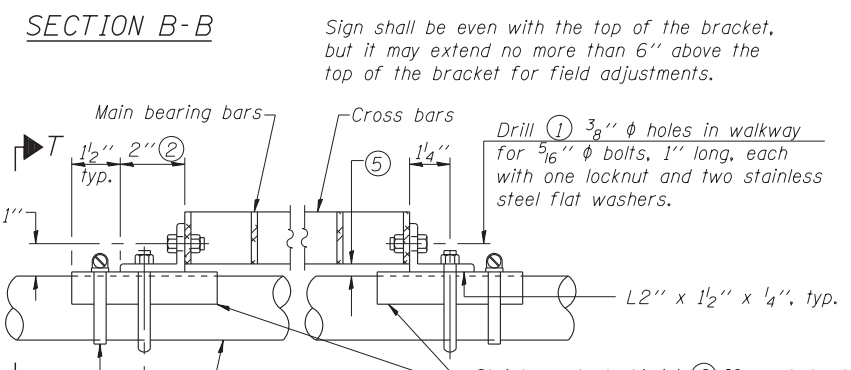
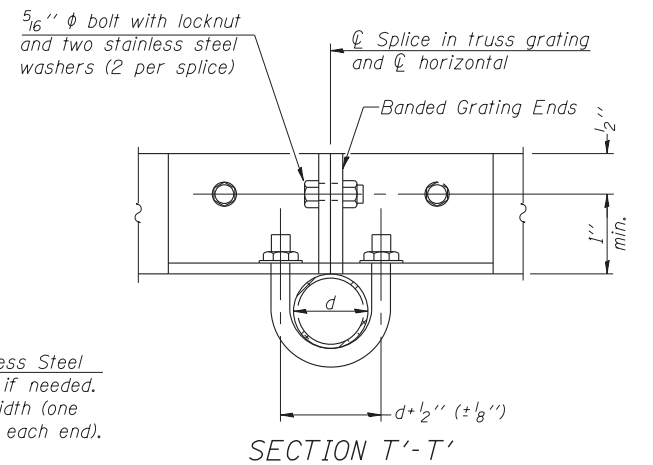
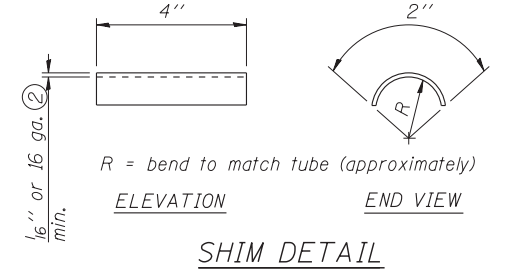


**SPECIFICATIONS FOR STANDARD ALUMINUM GRATING**  
 Main Bearing Bars (MBB) shall be 3/16" x 1 1/2" on 1 3/16" centers and conform to ASTM B211 Alloy 6061-T6.  
 Cross bars (CB) shall be 3/16" x 1 1/2" on 4" centers and conform to ASTM B221 Alloy 6063-T5 or 6061-T6.

OR  
 Aluminum Grating with modified "t" sections for main bearing bars shall meet the following requirements:  
 Main bars shall conform to ASTM B221 Alloy 6061-T6 and have a minimum section modulus equal to 0.0705 in.<sup>3</sup> per bar, a depth of 1 1/2", spaced on 1 3/16" centers.  
 Cross bars shall conform to ASTM B221 Alloy 6063-T5 or T-42 and spaced on 4" centers.



DETAIL T' (Truss grating splice)  
 Details not shown same as Detail T. Alternate materials may be used subject to the Engineer's review and approval.



- Drilling holes in grating may be done in shop or field, based on Contractor's preference and subject to accurate alignment.
- Stainless steel shims shall be placed as shown in Detail T if needed to compensate for alignment variations between horizontal and diagonal pipes beyond adjustment provided by angles. Thicker shims may be used subject to shims performing properly.
- If Handrail Joint present, weld angle to WF(A-N)4 and 1/4" extension bars. (See Base Sheet OSC-A-8.)
- 1/8" x 1/2" x 2" welded to handrail posts to protect locations that contact grating.
- Tube to grating gap may vary from 0 to 1/2", max. to align walkway, allow for camber, etc.
- Based on actual sign height, D<sub>s</sub>, given on OSC-A-1.

Structure Number	Station	A	⑥ B	C	⑥ D
1C016S053R000.0-003	406+75	8 3/8"	5'-3"	7'-0"	12'-9"
1C016S053R000.0-002	436+61	8 3/8"	5'-3"	7'-0"	12'-9"
1C016S053R000.0-004	490+91	8 3/8"	3'-9"	7'-0"	11'-3"
1C016S053R000.0-005	540+84	7 3/8"	2'-9"	7'-0"	10'-3"
1C016S053L000.0-006	541+83	8 3/8"	3'-9"	7'-0"	11'-3"

OSC-A-7

1-20-11

FILE NAME =	USER NAME =	DESIGNED - ABW	REVISIONS
		CHECKED -	REVISIONS
		DRAWN - KAR	REVISIONS
		CHECKED -	REVISIONS
PLOT SCALE =			
PLOT DATE			

STATE OF ILLINOIS  
 DEPARTMENT OF TRANSPORTATION

CANTILEVER SIGN STRUCTURES - WALKWAY DETAILS  
 ALUMINUM TRUSS & STEEL POST

\*I-290/IL-53 FAI 290/FAP 342

F.A. RTE.	SECTION	COUNTY	TOTAL SHEETS	SHEET NO.
	2011-024-SG	COOK/DuPAGE	132	117
			CONTRACT NO. 60P24	
ILLINOIS FED. AID PROJECT				

SHEET NO. C7 OF 10A SHEETS