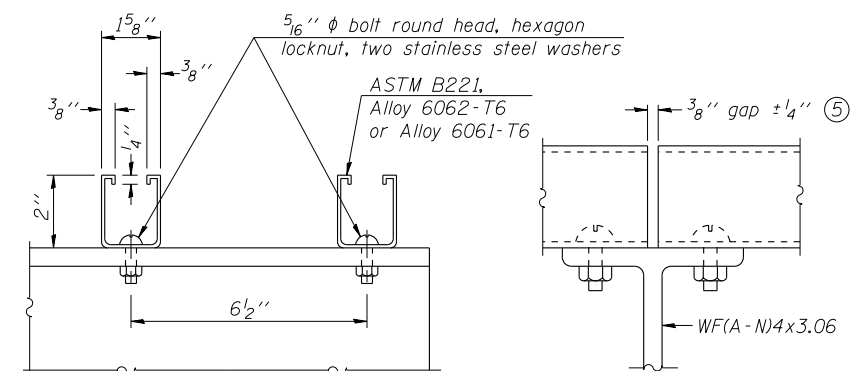
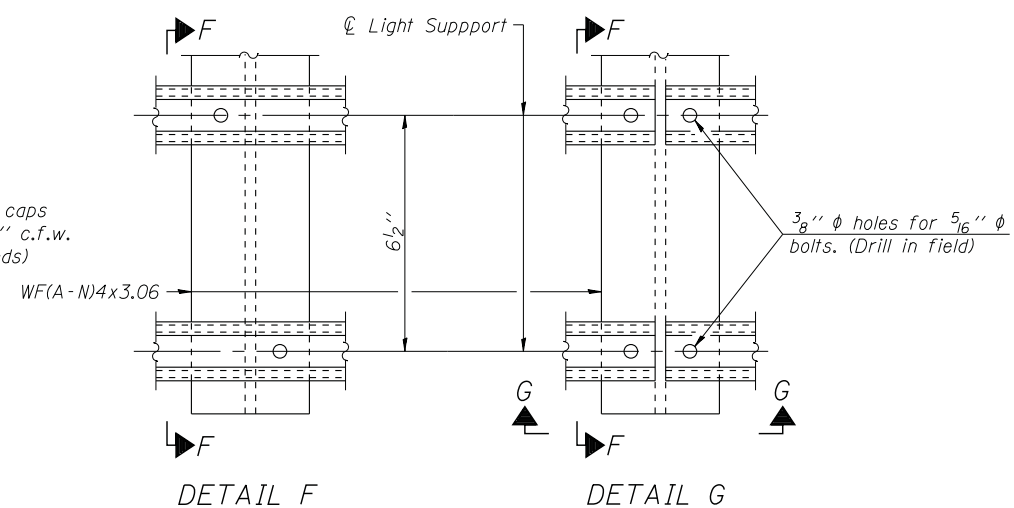


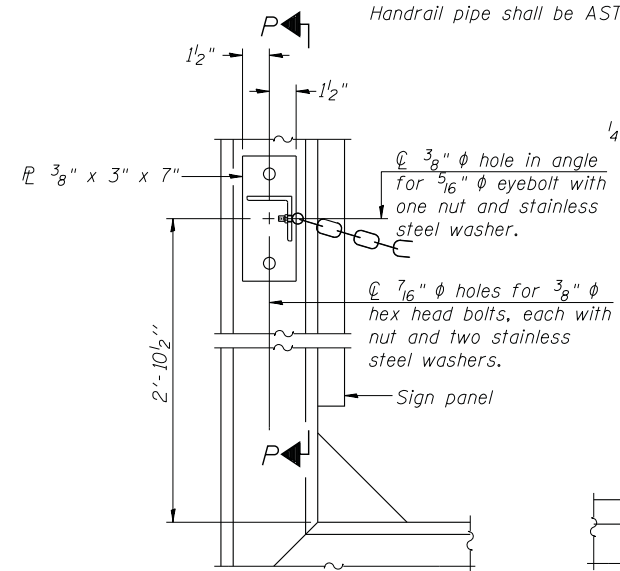
① Install standard force-fit end caps or weld 1/8" end plates with 1/8" c.f.w. and grind smooth. (All rail ends)
 Fittings-ASTM B26, Alloy 356-T7 or 1 1/2" diameter aluminum pipe

② Horizontal handrail member shall be continuous thru fitting. Provide 7/16" diameter hole in fitting for 3/8" diameter bolt. Field drill 7/16" diameter hole in horizontal rail member. Provide locknut and two stainless steel washers for bolt. (Use 5/16" diameter eyebolts in 7/16" diameter holes on top rail at ends only.)

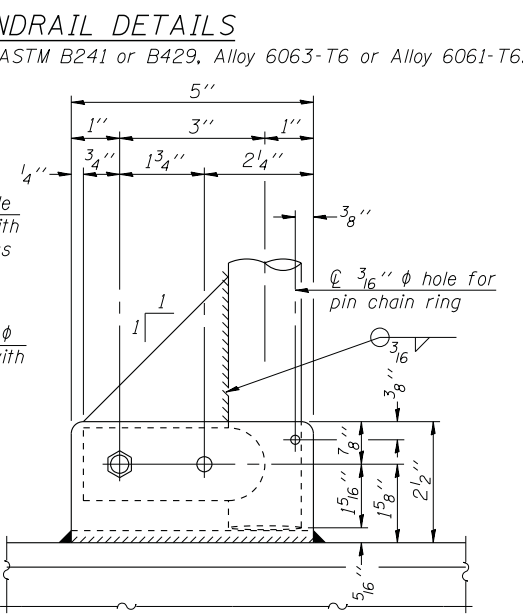


SECTION F-F
SECTION G-G
LIGHTING FIXTURE MOUNTS (IF REQUIRED)

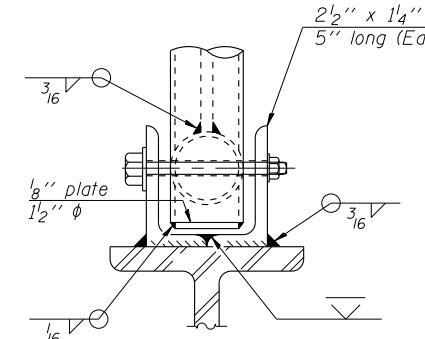
⑤ Field cut ends of light support channels shall be free of burrs or hazardous projections and coated with zinc-rich primer or equivalent.



ALTERNATE SAFETY CHAIN ATTACHMENT
(With Sign Present)
Items not shown same as "Side Elevation" of "Handrail Details"



SIDE ELEVATION

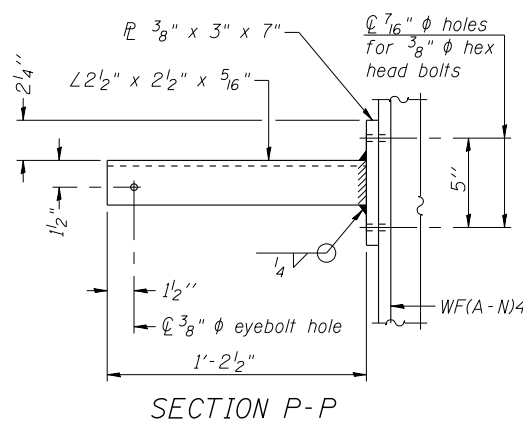


FRONT ELEVATION

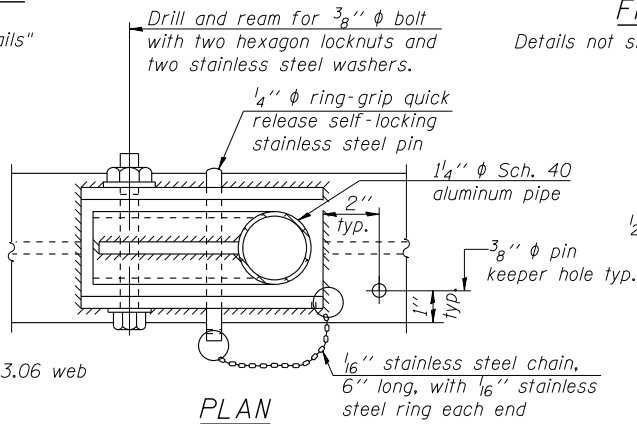
Details not shown same as "ELEVATION" at right.

ELEVATION AT HANDRAIL JOINT ④

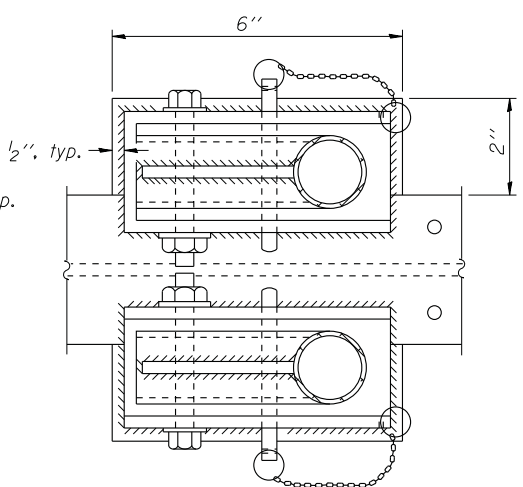
Details not shown same as "FRONT ELEVATION"



SECTION P-P

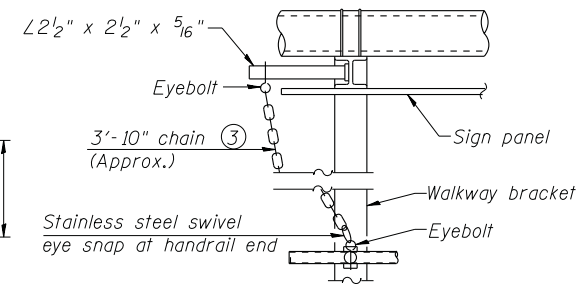


DETAIL E HANDRAIL HINGE



PLAN AT HANDRAIL JOINT

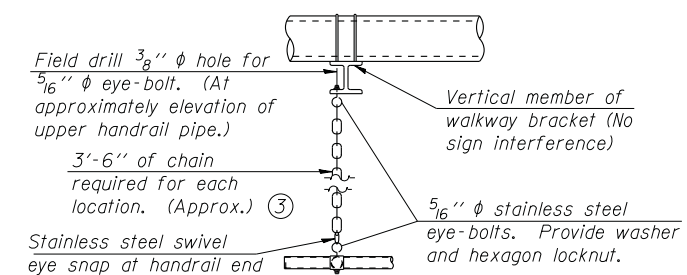
Details not shown same as "PLAN"



ALTERNATE SAFETY CHAIN ATTACHMENT
Details not shown similar to "Safety Chain" Details
(Walkway omitted for clarity)

③ 3/16" Type 304L stainless steel chain, approximately 12 links per foot.

④ Extrusions may be used in lieu of the details shown, with approval of the Engineer.



SAFETY CHAIN

One required for each end of each walkway.

OSC-A-8

1-20-11

FILE NAME =	USER NAME =	DESIGNED - ABW	REVISED
		CHECKED -	REVISED
		DRAWN - KAR	REVISED
		CHECKED -	REVISED

STATE OF ILLINOIS
DEPARTMENT OF TRANSPORTATION

CANTILEVER SIGN STRUCTURES - HANDRAIL DETAILS
ALUMINUM TRUSS & STEEL POST

SHEET NO. 08 OF 10 SHEETS

*I-290/IL-53 FAI 290/FAP 342

F.A. RTE.	SECTION	COUNTY	TOTAL SHEETS	SHEET NO.
	2011-024-SG	COOK/DuPAGE	132	118
			CONTRACT NO. 60P24	
ILLINOIS FED. AID PROJECT				