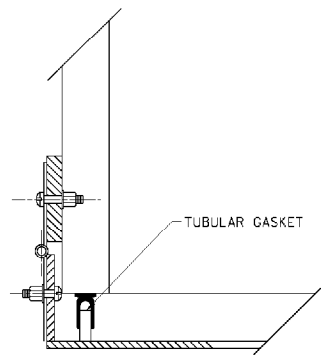
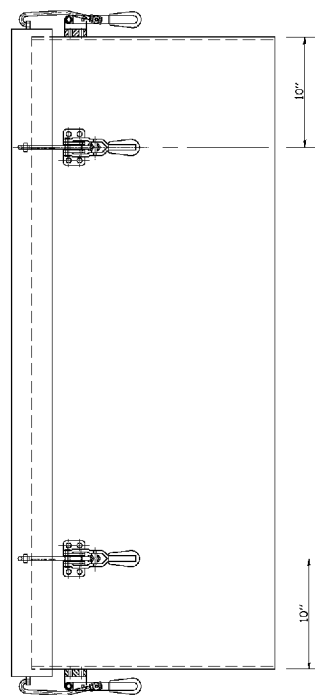


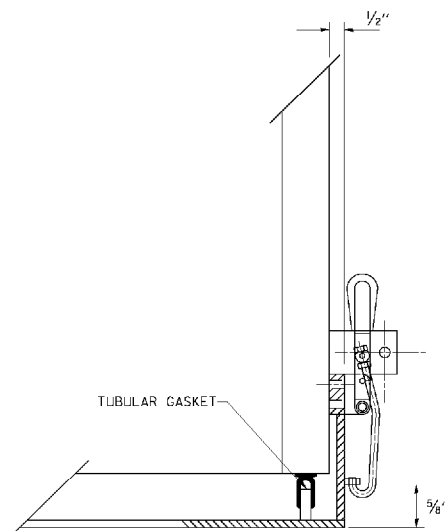
TOP VIEW



HINGE DETAIL

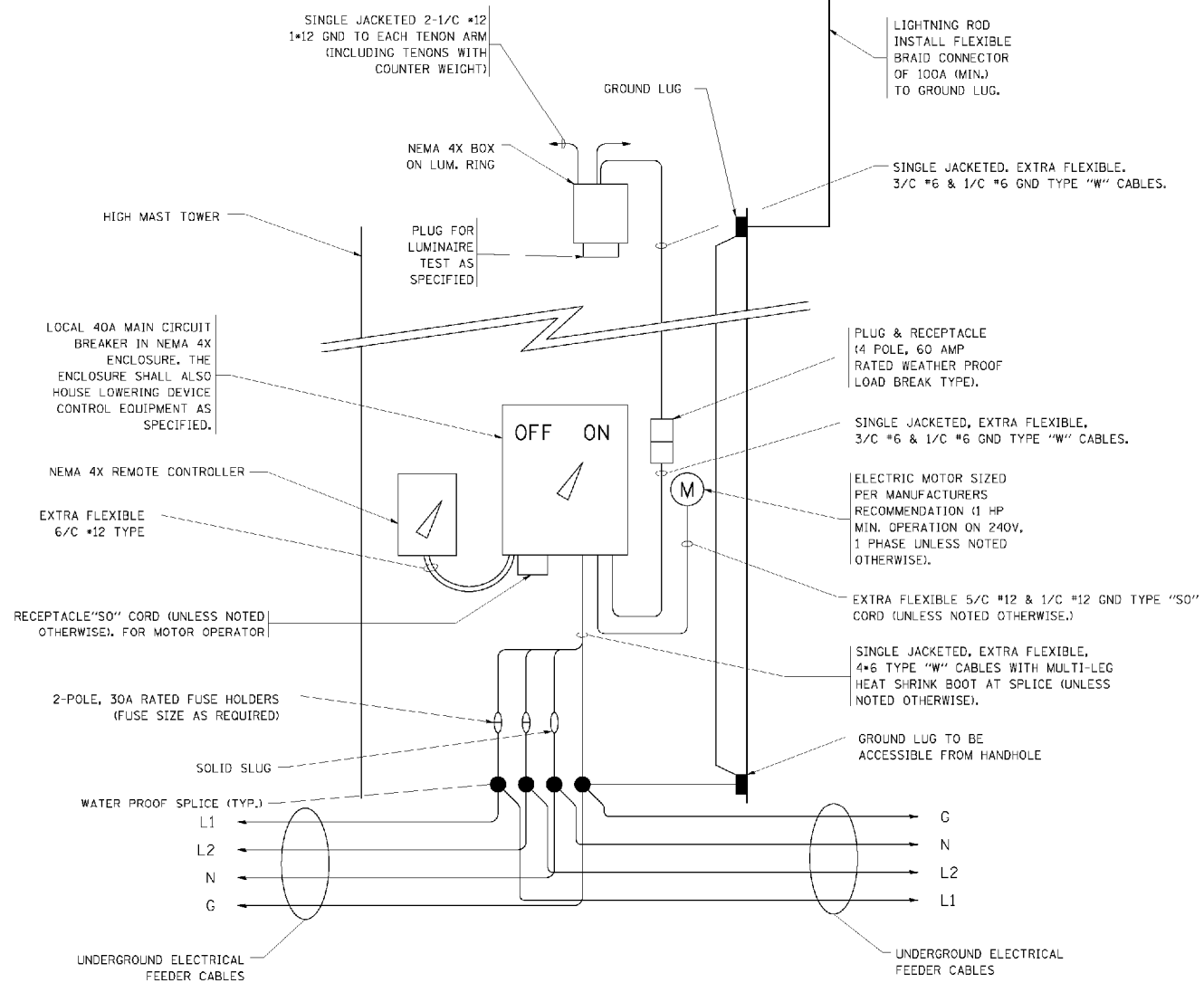


SIDE VIEW

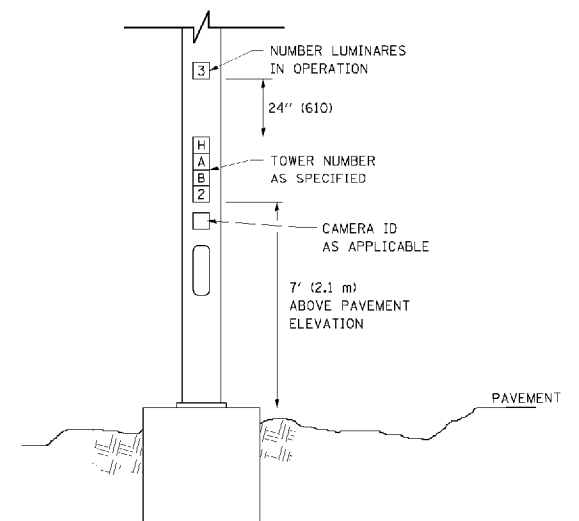


LATCH DETAIL

HANDHOLE DOOR DETAILS



HIGH MAST POLE WIRING DIAGRAM



LIGHT TOWER NUMBERING DETAIL

FILE NAME =	USER NAME = drvakosqn	DESIGNED -	REVISED - 09-02-03
c:\pwwork\pwwork\drvakosqn\d0108315\be005.dgn		DRAWN -	REVISED - 03-22-10
		CHECKED -	REVISED - 09-02-10
		DATE -	REVISED -

STATE OF ILLINOIS
DEPARTMENT OF TRANSPORTATION

HIGH MAST LIGHT TOWER			
120 FT TO 140 FT (36 m TO 43 m)			
SCALE: NONE	SHEET NO. 3 OF 3 SHEETS	STA.	TO STA.

F.A. RTE.	SECTION	COUNTY	TOTAL SHEETS	SHEET NO.
80	2011-046-L	WILL	106	55
BE-505			CONTRACT NO. 60P56	
FED. ROAD DIST. NO. 1 ILLINOIS FED. AID PROJECT				