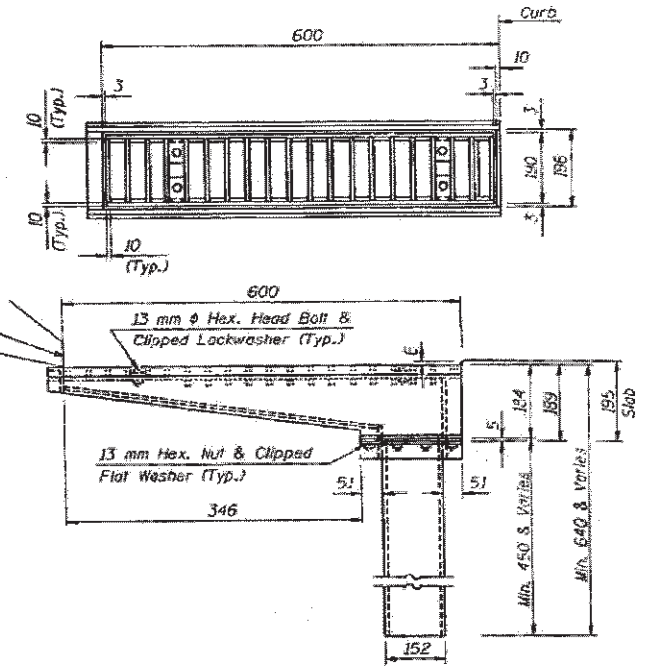
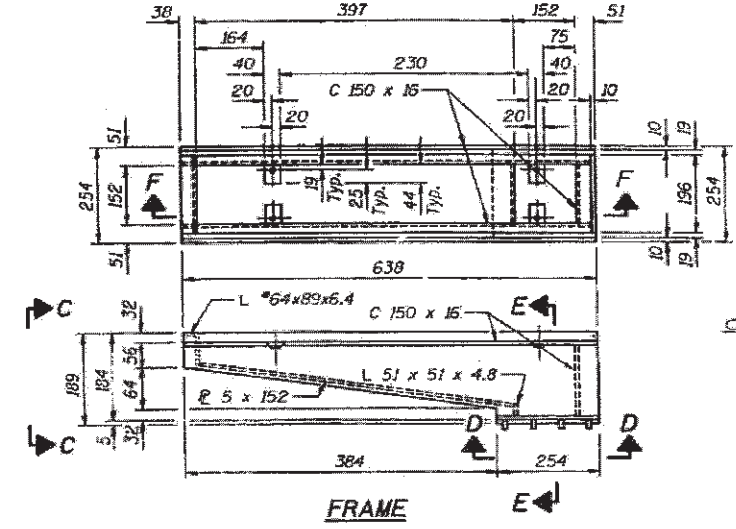
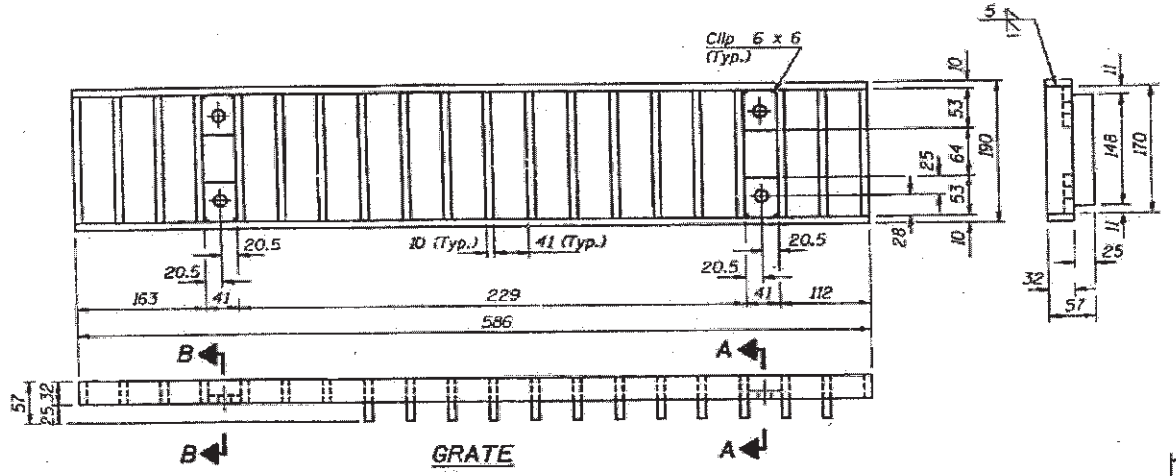
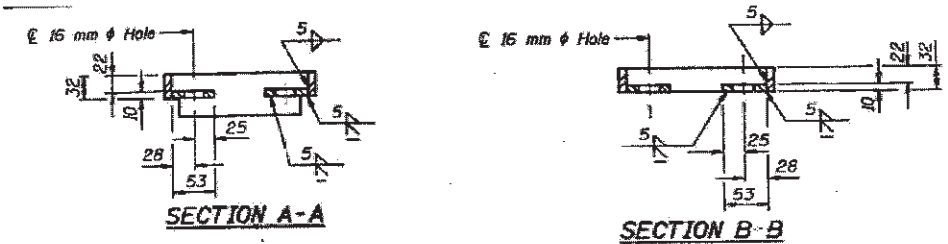
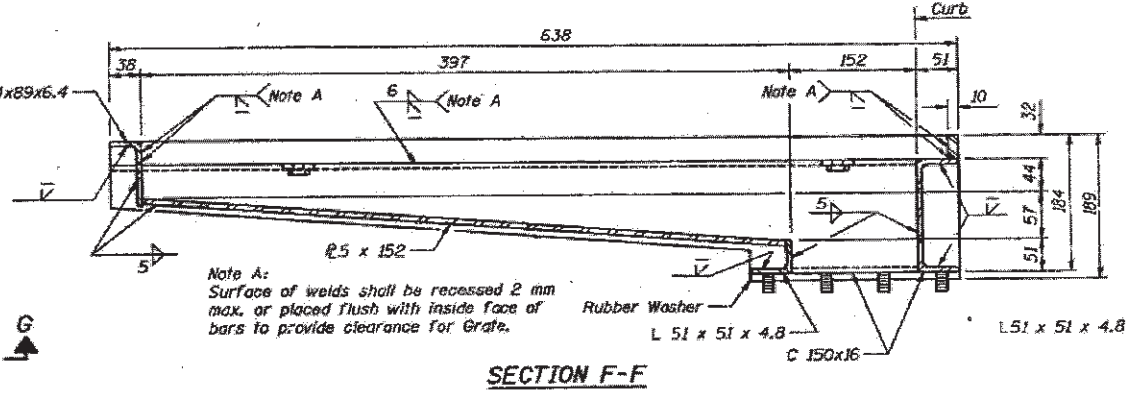
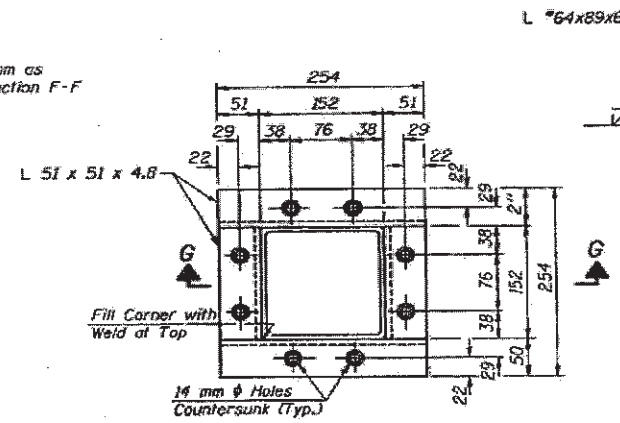


FOR INFORMATION ONLY

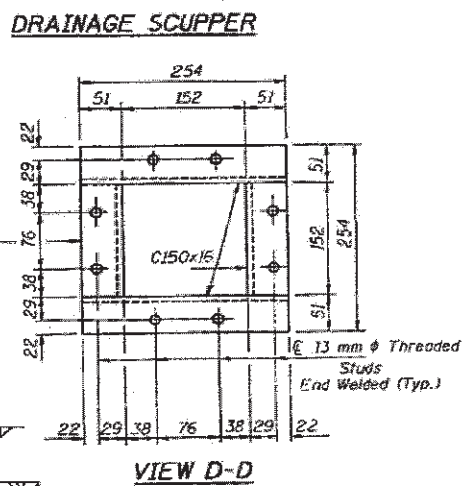
STATE OF ILLINOIS
DEPARTMENT OF TRANSPORTATION



*Cut to 38 mm as shown in Section F-F

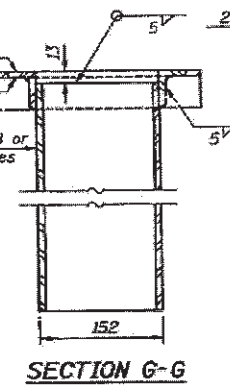
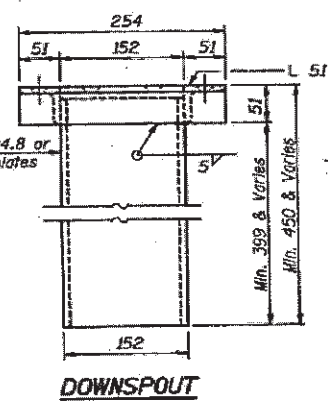
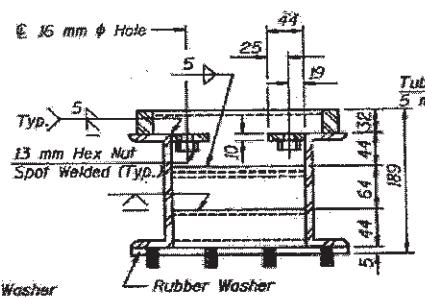
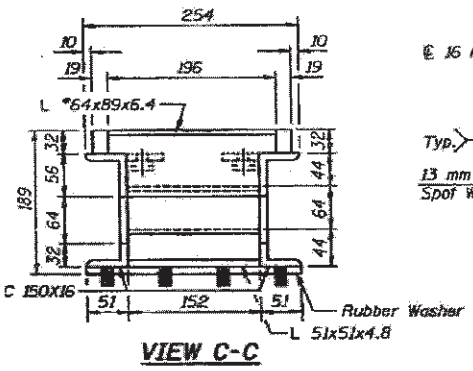


Note A:
Surface of welds shall be recessed 2 mm max. or placed flush with inside face of bars to provide clearance for Grate.



Notes:
Hollow structural steel tubing shall conform to the requirements of ASTM designation A500 Grade B, or A501 Structural Steel Tubing.
All other shapes, plates and bars shall conform to the requirements of AASHTO M270 - Grade 250.
Bolts, studs, washers and nuts shall conform to the requirements of ASTM A307.
The Grate, Frame and Downspout shall be galvanized after shop fabrication in accordance with AASHTO M111 and ASTM A385.
All bolts, washers and nuts shall be galvanized in accordance with AASHTO M232.
Cost of the Grate, Frame, Downspout, Bolts, Washers and Nuts including complete installation of Scupper will be paid for at the unit bid price each for "DRAINAGE SCUPPERS" - (Special)
All dimensions are in millimeters (mm) except as noted.

(W.T. to inside of exterior stringer flange shall not be > 1.2 m)



BRIDGE DECK DRAINAGE DETAILS

*1) FAU 2612
2) FAP 330

FILE NAME =	USER NAME = curryw	DESIGNED -	REVISED -	STATE OF ILLINOIS DEPARTMENT OF TRANSPORTATION	DRAINAGE REPAIRS (SN 016-0337)	F.A. RTE.	SECTION	COUNTY	TOTAL SHEETS	SHEET NO.
as\p\work\p\sd\curryw\ad2298919\013232	2-Design.dgn	DRAWN -	REVISED -			* 2012-001-1	COOK	27	23	
PLOT SCALE = 100.0000 * / in.	CHECKED -	REVISED -	REVISED -			CONTRACT NO. 60T31				
PLOT DATE = 3/2/2012	DATE -	REVISED -	REVISED -			ILLINOIS FED. AID PROJECT				
				SCALE:	SHEET 5 OF 8 SHEETS	STA.	TO STA.			