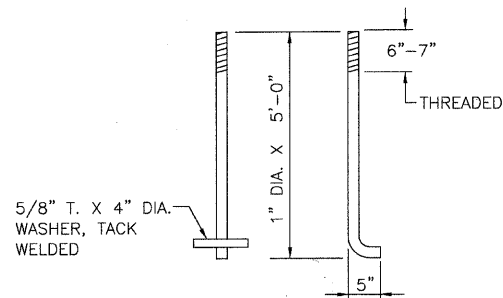
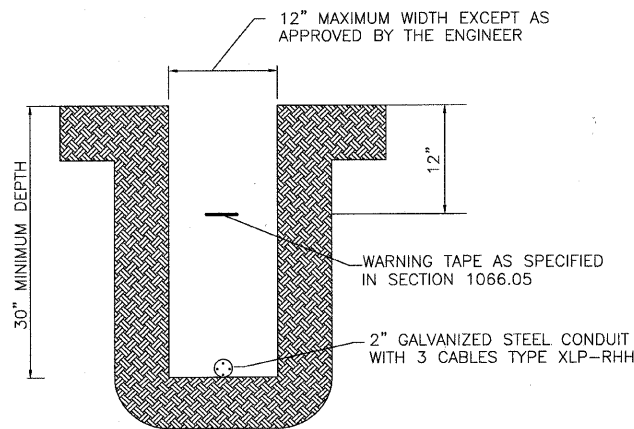


GENERAL NOTES FOR STREET LIGHTING WORK

- EXCAVATION FOR THE LIGHT POLE FOUNDATION SHALL BE MADE WITH AN AUGER, 24" MINIMUM DIAMETER.
- THE ANCHOR BOLTS IN THE LIGHT POLE FOUNDATION SHOWN ON THE DETAIL SHALL BE A TACK WELDED TYPE BOLT OR HOOK TYPE BOLT. COLD BENDING OF THE HOOK BOLT WILL NOT BE ALLOWED.
- THE ANCHOR BOLTS AND RACEWAYS PROVIDED WITHIN THE LIGHT POLE FOUNDATION SHALL BE SECURELY FIXED IN PLACE BEFORE CONCRETE IS POURED FOR FOUNDATION.
- THE ENTIRE LENGTH OF THE ANCHOR BOLTS USED IN THE LIGHT POLE FOUNDATION, AS WELL AS THE NUTS AND WASHERS, SHALL BE HOT DIP GALVANIZED IN ACCORDANCE WITH THE REQUIREMENTS OF ASTM DESIGNATION A153.
- CLASS SI CONCRETE IS REQUIRED FOR THE LIGHT POLE FOUNDATIONS AND MUST BE CURED FOR A MINIMUM OF TEN DAYS BEFORE THE LIGHT STANDARD IS ERECTED THEREON.
- THE CABLE TRENCH WITHIN 10 FEET OF THE LIGHT POLE FOUNDATION SHALL BE BACKFILLED AND THOROUGHLY COMPACTED BEFORE LIGHT STANDARDS ARE ERECTED.
- A MINIMUM OF 3" OF THE THREADING ON THE ANCHOR BOLT SHALL REMAIN BELOW THE TOP OF THE FOUNDATION.
- THE DIAMETER OF THE ANCHOR BOLT CIRCLE AND THE ANCHOR BOLT EXTENSION LENGTH ABOVE THE TOP OF THE LIGHT POLE FOUNDATION SHALL BE COORDINATED WITH THE LIGHT POLE MANUFACTURER'S RECOMMENDATIONS AND CONFIRMED WITH THE ENGINEER PRIOR TO CONSTRUCTION OF THE FOUNDATIONS.
- CONCRETE HANDHOLES AT THE LOCATION(S) SHOWN ON THE PLANS SHALL BE PROVIDED IN ACCORDANCE WITH IDOT STANDARD 81400102 AND WITH SECTION 814 OF THE STANDARD SPECIFICATION.
- THE ELECTRICAL SERVICE INSTALLATION, TYPE A (MODIFIED) SHALL BE IN ACCORDANCE WITH IDOT STANDARD 805001-01 AND WITH SECTION 804 OF THE STANDARD SPECIFICATIONS.
- SPLICING ELECTRICAL CABLES IN CONDUITS IS NOT PERMITTED. CONNECTIONS MADE IN HANDHOLES MUST MEET THE REQUIREMENTS SET FORTH IN ARTICLE 1066.06 OF THE STANDARD SPECIFICATIONS.

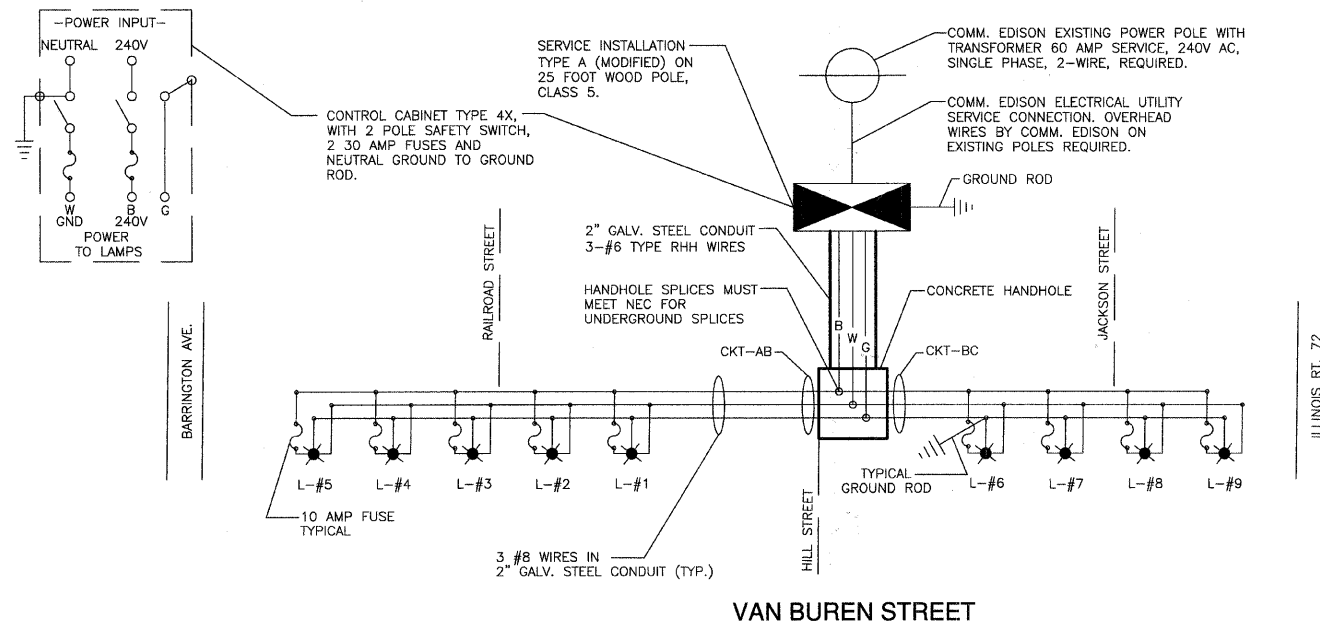


ANCHOR BOLT DETAIL

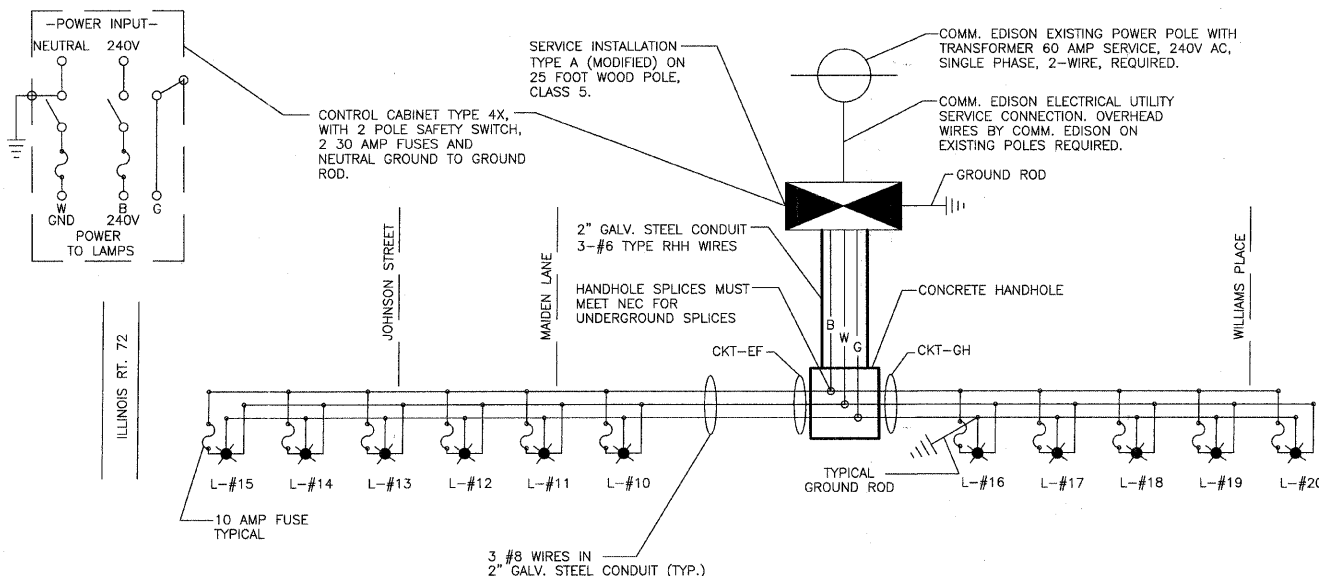


TYPICAL WIRING IN TRENCH DETAIL

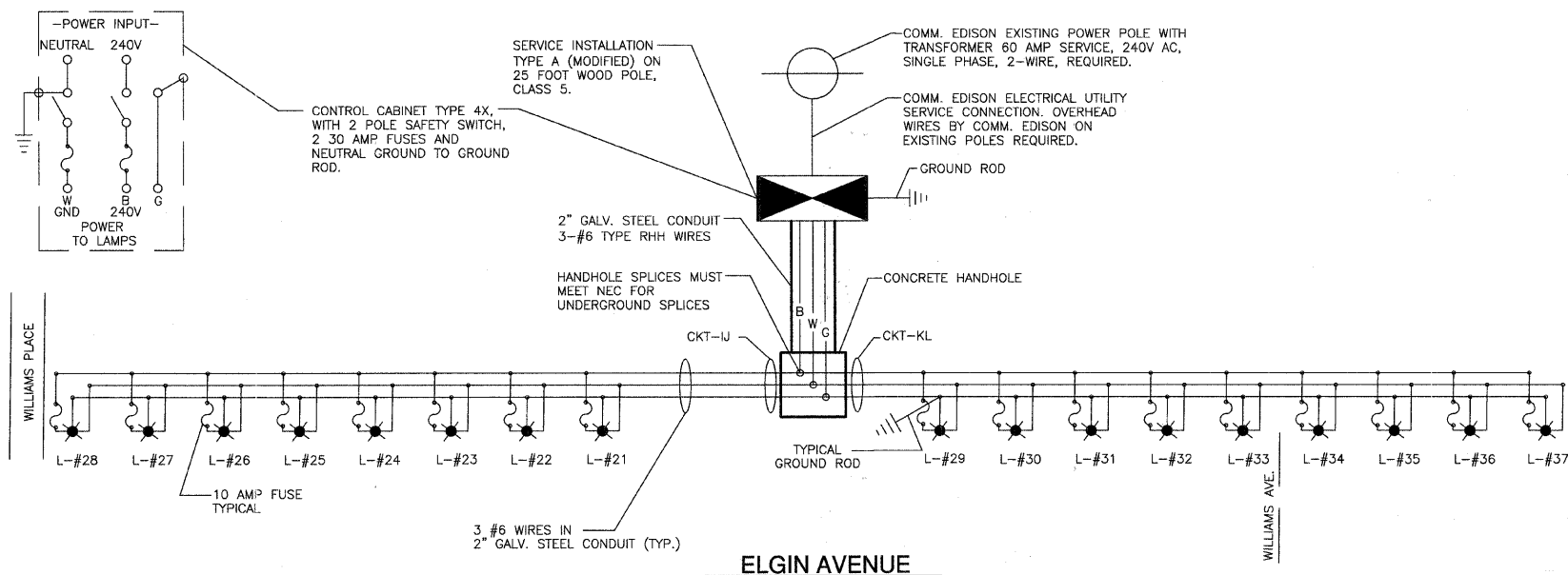
N.T.S.



VAN BUREN STREET



VAN BUREN STREET



ELGIN AVENUE

LEGEND

- 150W HPS LUMINAIRE CONNECTED TO 240V CIRCUIT
- SERVICE POLE
- B BLACK WIRE
- W NEUTRAL (WHITE) WIRE
- G GREEN WIRE
- ⏏ GROUND ROD
- ⏏ FUSE