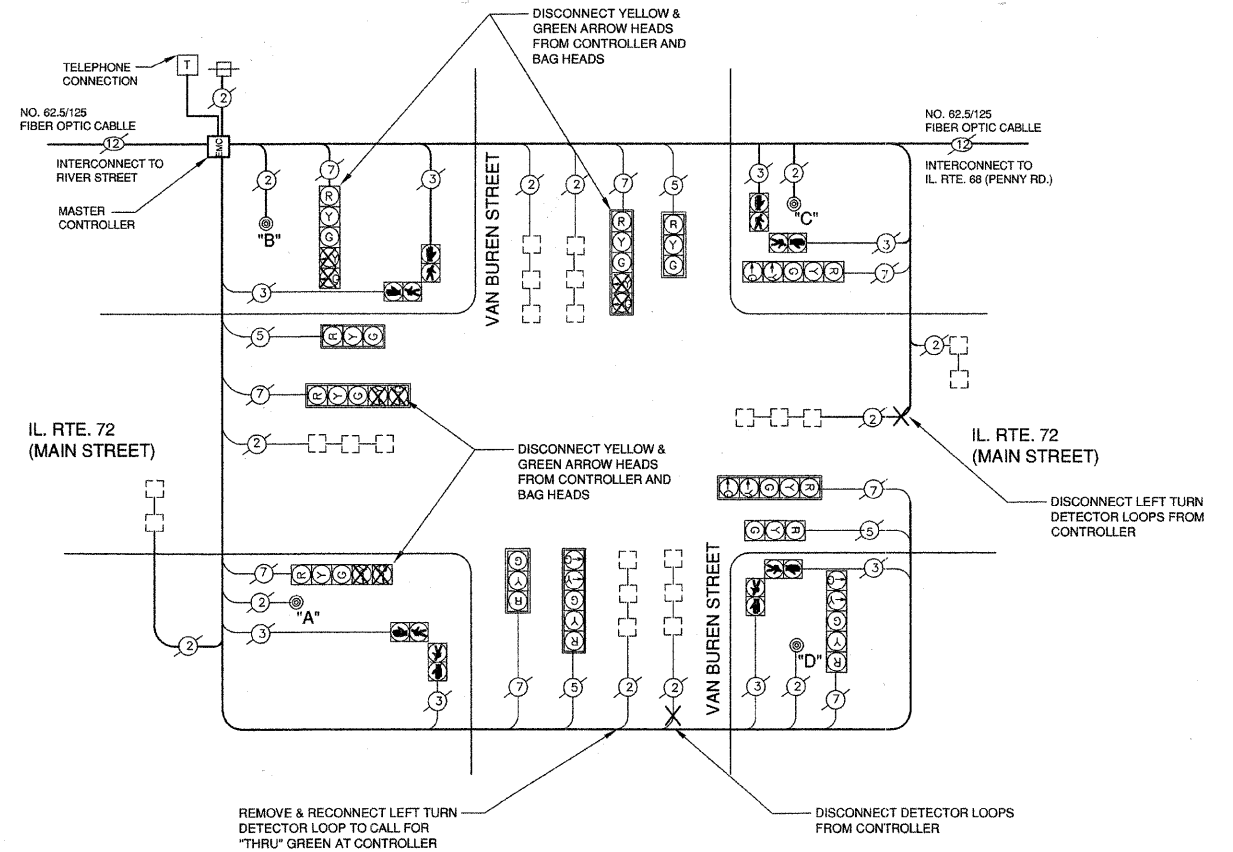
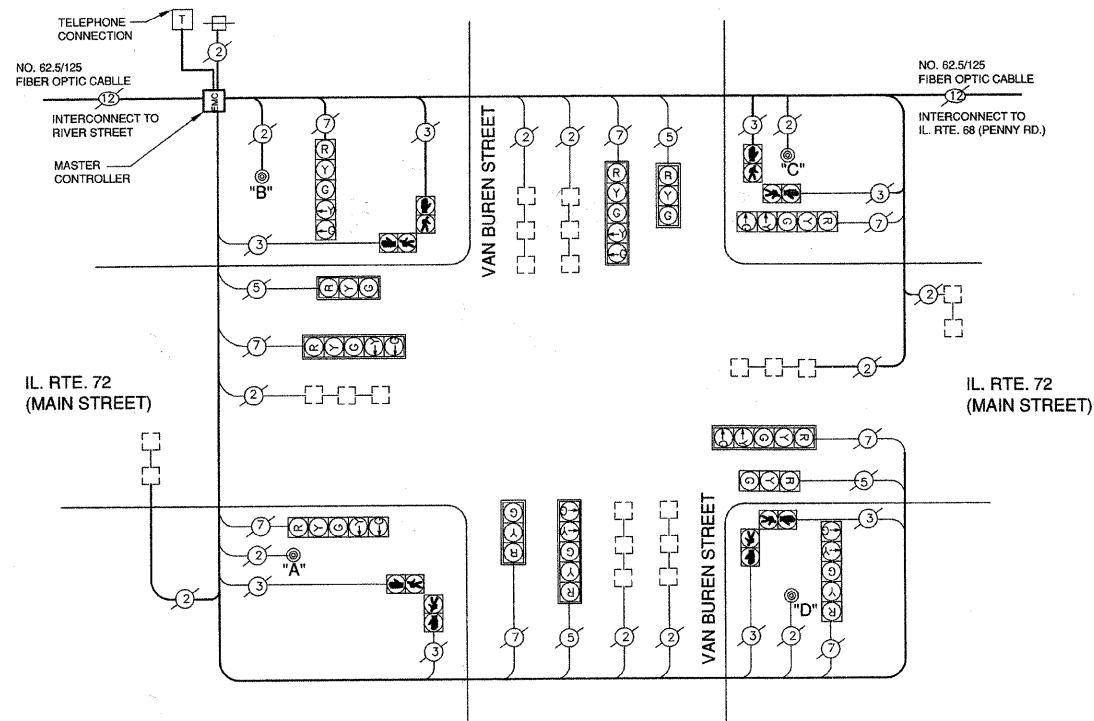


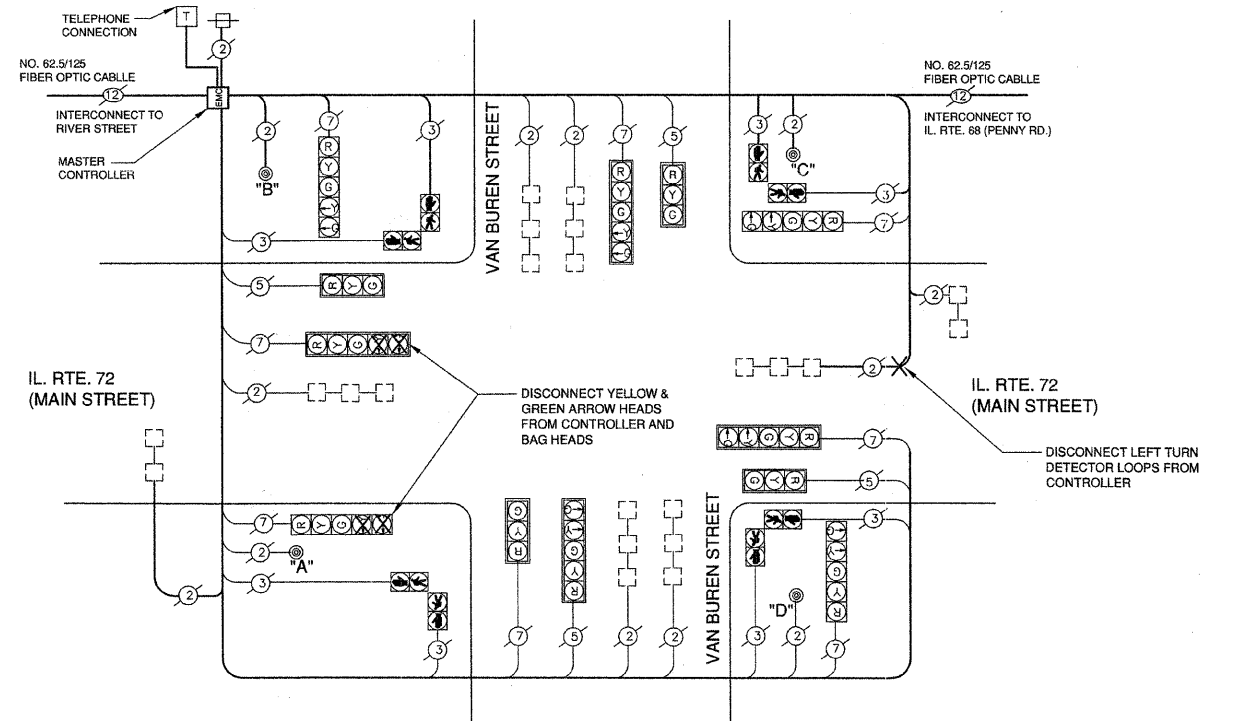
**STAGE 1 TEMPORARY CABLE PLAN** (N.T.S.)  
(NORTH LEG CLOSED)



**STAGE 2A TEMPORARY CABLE PLAN** (N.T.S.)  
(SOUTH LEG - NORTHBOUND ONLY ON WEST HALF)



**EXISTING & STAGE 3 CABLE PLAN** (N.T.S.)



**STAGE 2B TEMPORARY CABLE PLAN** (N.T.S.)  
(SOUTH LEG - NORTHBOUND ONLY ON EAST HALF)

**EX. PUSH - BUTTON NOTES**

- PUSH - BUTTON "A" SHALL PLACE A CALL IN PHASE 2 AND 4.
- PUSH - BUTTON "B" SHALL PLACE A CALL IN PHASE 4 AND 6.
- PUSH - BUTTON "C" SHALL PLACE A CALL IN PHASE 6 AND 8.
- PUSH - BUTTON "D" SHALL PLACE A CALL IN PHASE 2 AND 8.