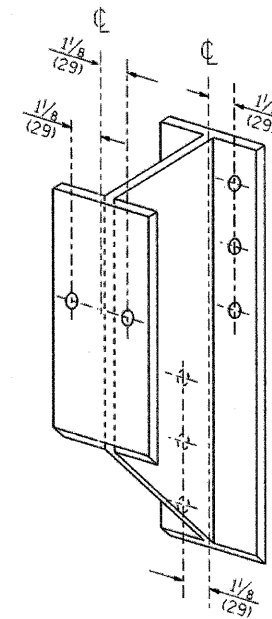
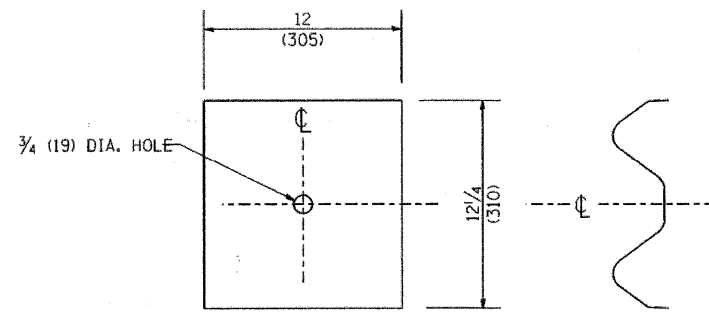


STEEL POST CONSTRUCTION



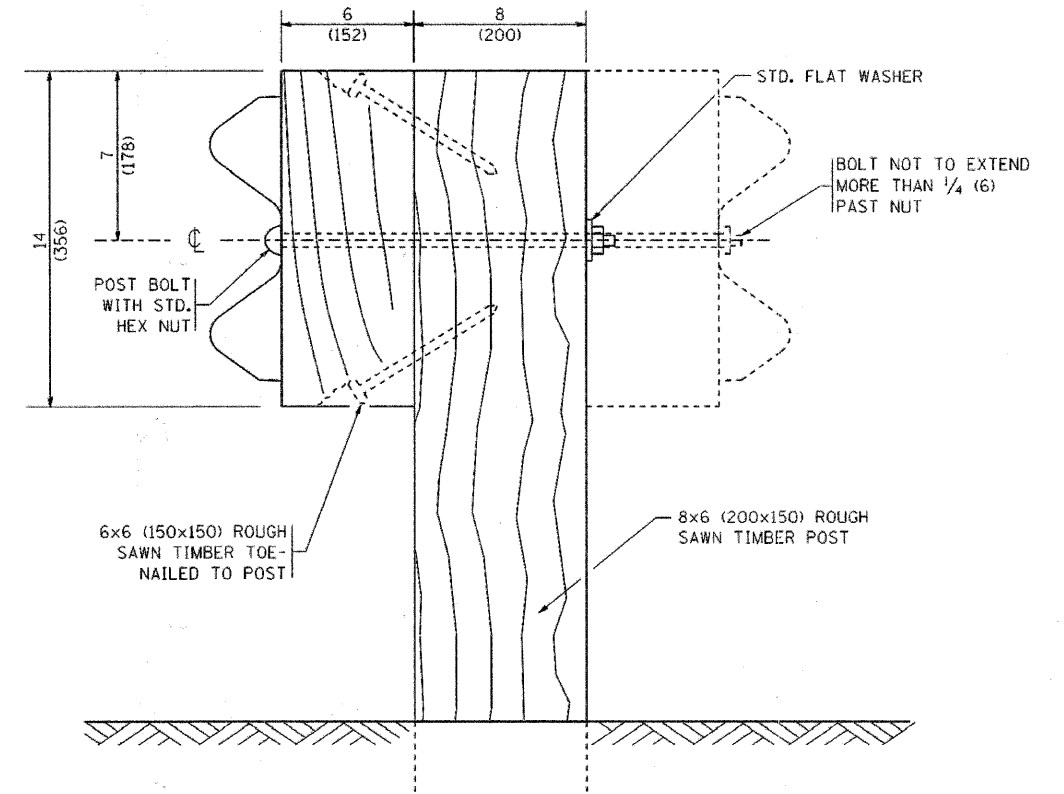
STEEL BLOCK-OUT DETAIL



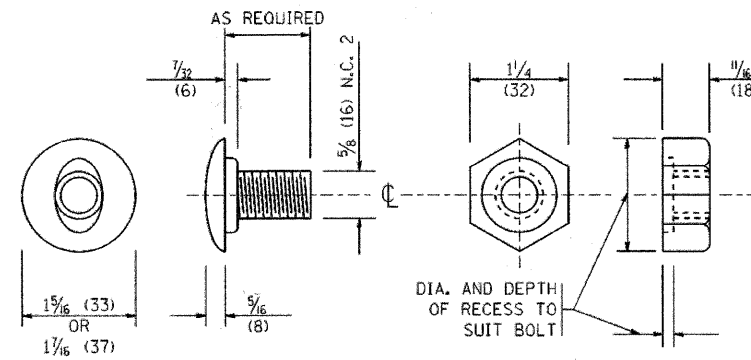
NOTE:

PLATE A SHALL BE PLACED BETWEEN RAIL ELEMENT AND BLOCK-OUT AT NON-SPLICE MOUNTING POINTS ONLY WHEN STEEL BLOCK-OUTS ARE USED.

PLATE A



WOOD POST CONSTRUCTION



POST OR SPLICE BOLT & NUT

FILE NAME =	USER NAME = gaglianobt
W:\distatd\22x34\bm21.dgn	

DESIGNED -	REVISED - 10-31-06
DRAWN -	REVISED -
PLOT SCALE = 50.0000 / IN.	REVISED -
PLOT DATE = 1/4/2008	REVISED -

**STATE OF ILLINOIS
DEPARTMENT OF TRANSPORTATION**

**REMOVE AND REERECT
STEEL PLATE BEAM GUARDRAIL**

SCALE: NONE SHEET NO. 2 OF 4 SHEETS STA. TO STA.

F.A. RTE. = 2528	SECTION = 04-00043-00-PV	COUNTY = KANE	TOTAL SHEETS = 85	SHEET NO. = 63
BM-21			CONTRACT NO. 63507	
FED. ROAD DIST. NO. 1 ILLINOIS FED. AID PROJECT				