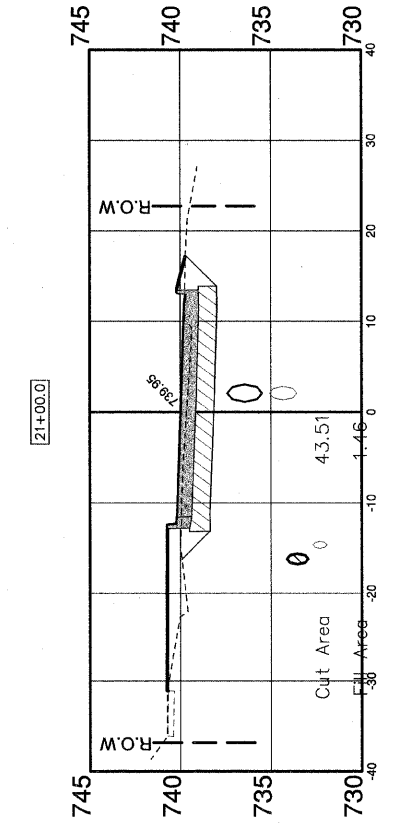
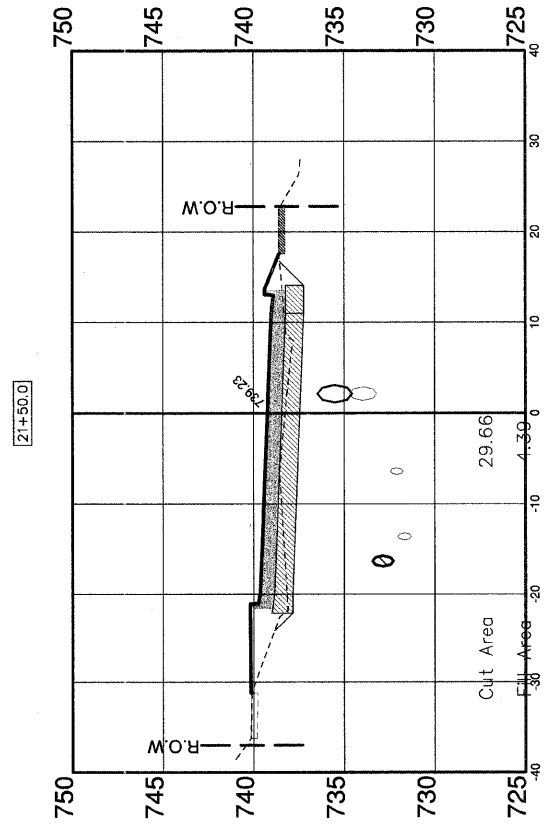
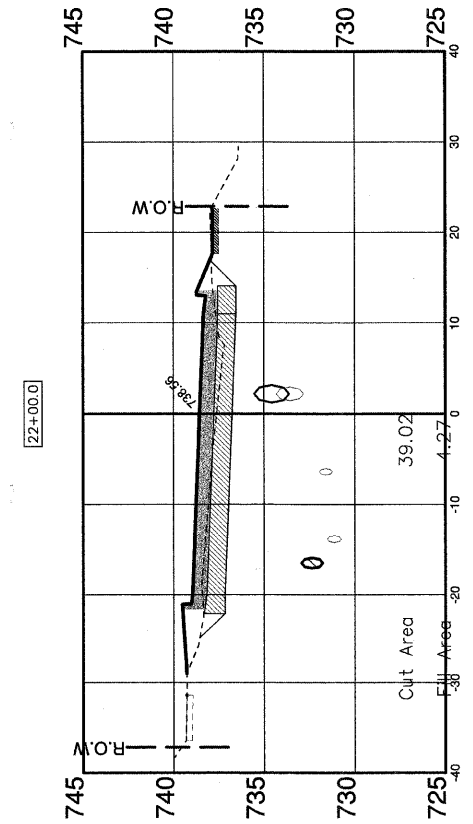
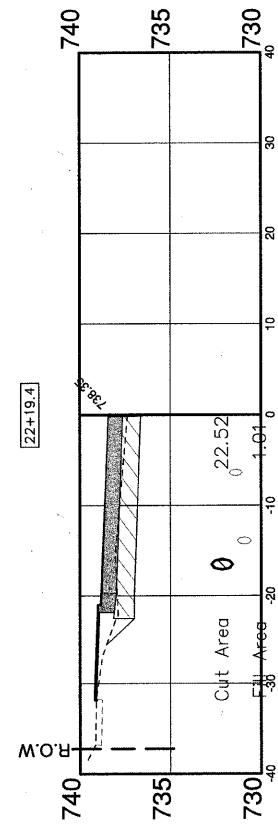
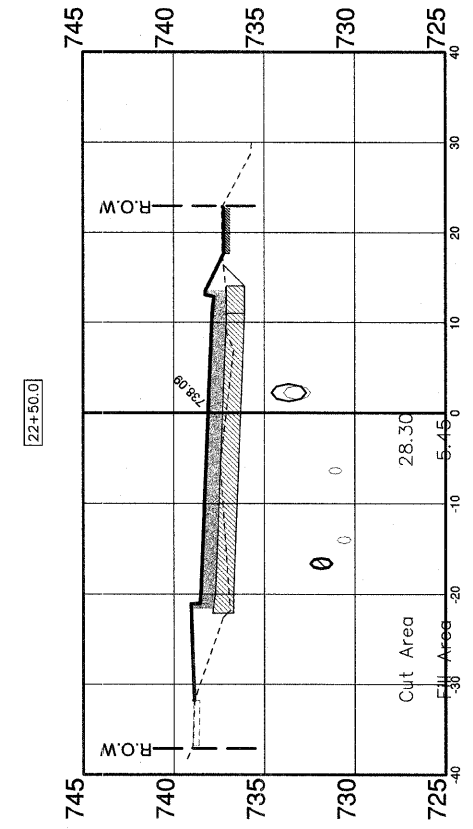
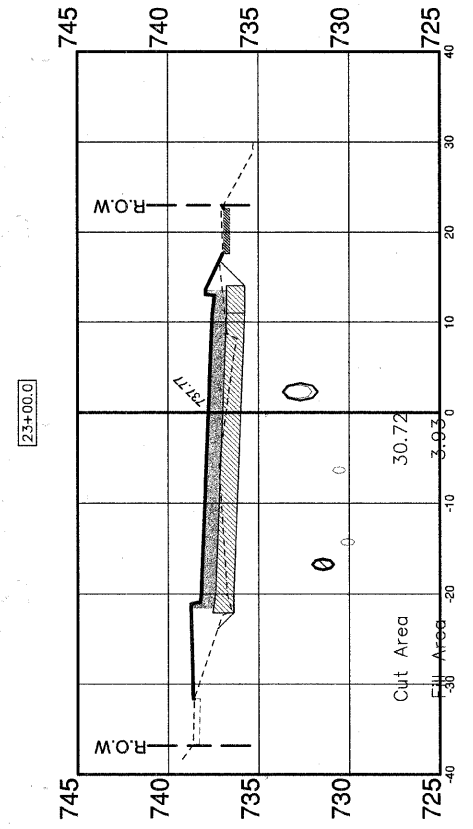
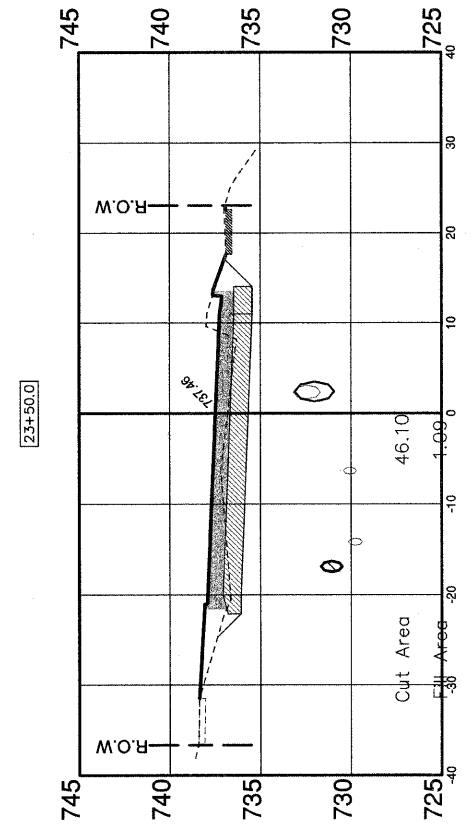
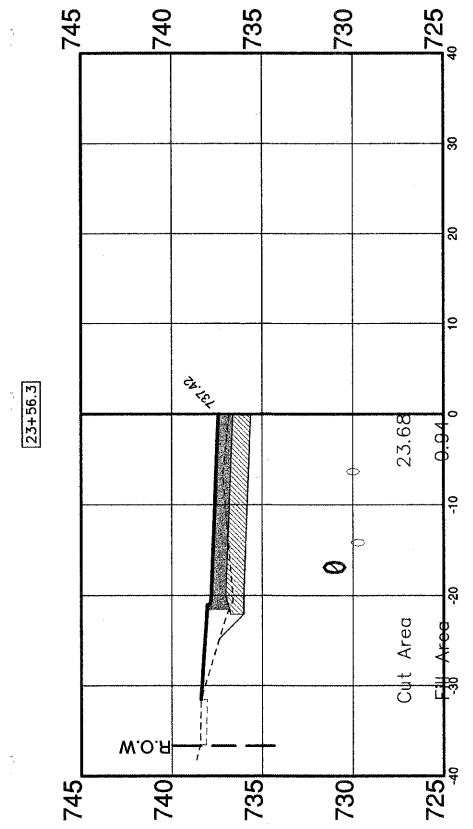
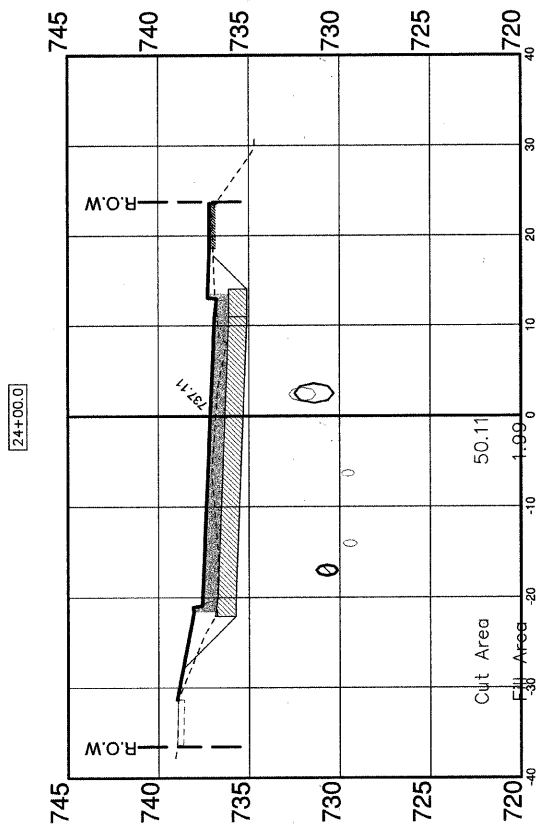


| | | | |
|-----------|-----------|--------|-------|
| DESIGNED: | SURVEYED: | BY: | DATE: |
| DRAWN: | PLOTTED: | | |
| CHECKED: | TEMPLATE: | | |
| NO.: | DATE: | AREAS: | |

| | | | |
|-----------|-----------|--------|-------|
| DESIGNED: | SURVEYED: | BY: | DATE: |
| DRAWN: | PLOTTED: | | |
| CHECKED: | TEMPLATE: | | |
| NO.: | DATE: | AREAS: | |



NOTE: CROSS SECTIONS SHOWN ARE LOOKING SOUTH.

FILE NAME: xxx

GERALD L. HEINZ & ASSOCIATES, INC.
CONSULTING ENGINEERS & LAND SURVEYORS
206 NORTH RIVER STREET
EAST DUNDEE, ILLINOIS 60118

USER NAME:
DESIGNED: EBW
DRAWN: PC
PLOT SCALE: 1" = 20'
PLOT DATE:

CHECKED: JDH
DATE: AUGUST 25, 2010

REVISD: MARCH 23, 2011
REVISD: MAY 16, 2011
REVISD:

STATE OF ILLINOIS
DEPARTMENT OF TRANSPORTATION

CROSS SECTIONS

SCALE: 1" = 10'

SHEET NO. 6 OF 16 SHEETS STA: 21+00 TO STA: 24+00

| | | | | |
|------------------------------|----------------|--------|-------------------|-----------|
| FAU ROUTE | SECTION | COUNTY | TOTAL SHEETS | SHEET NO. |
| 252B | 04-00043-00-PV | KANE | 85 | 75 |
| FED. ROAD DIST. NO. ILLINOIS | | | FED. AID. PROJECT | |

CONTRACT NO. 63507