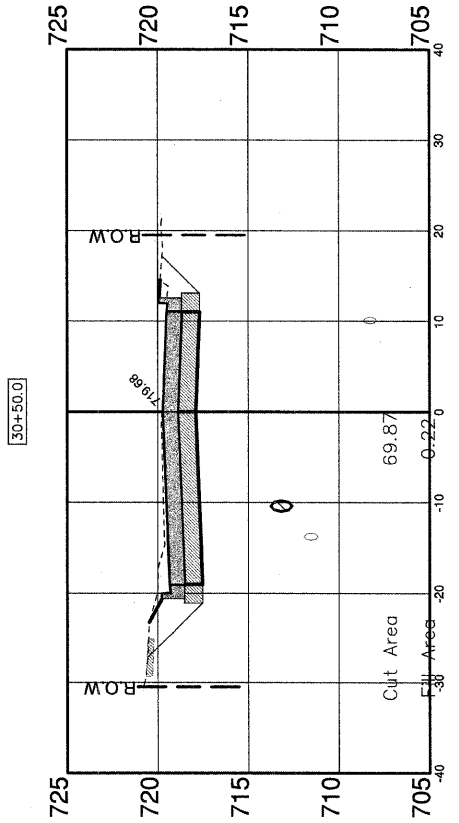
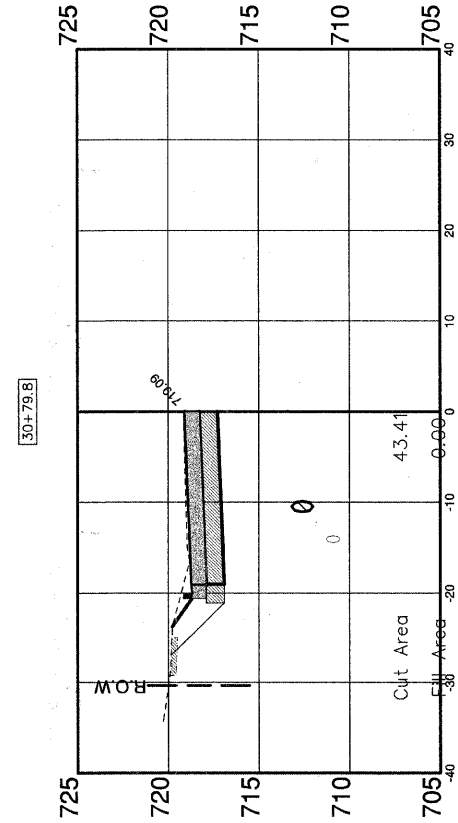
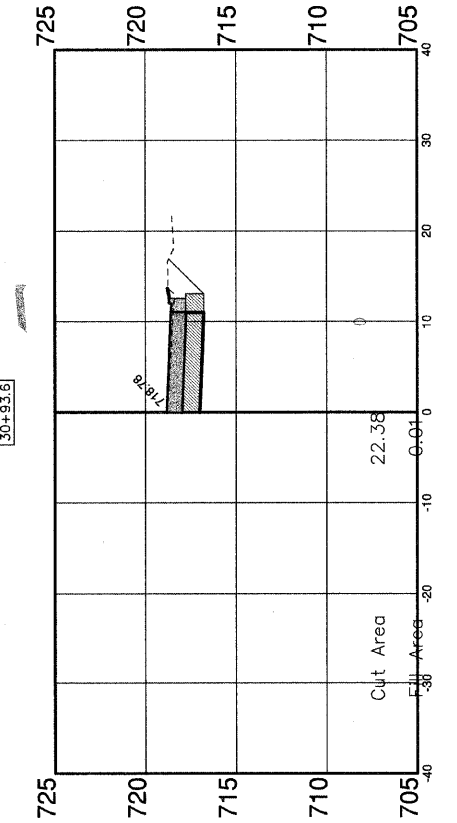
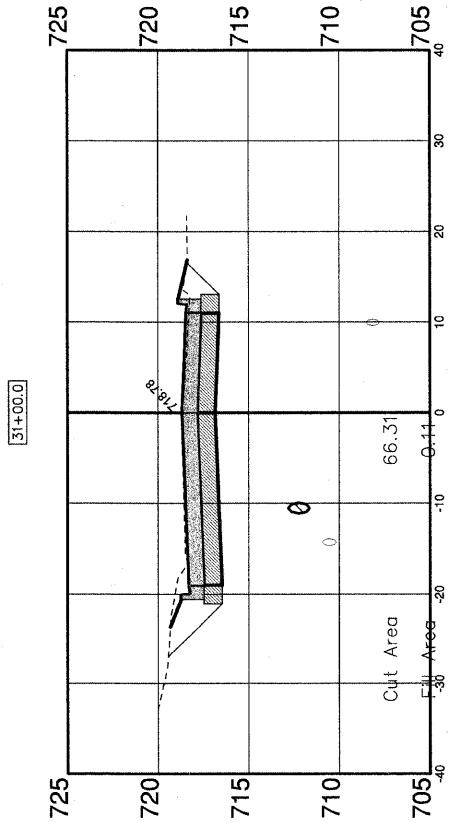
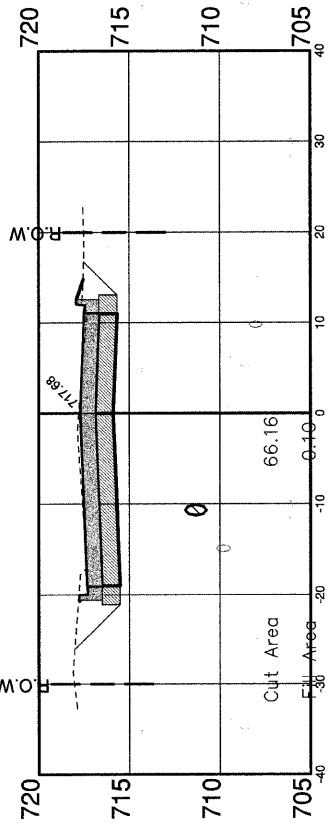
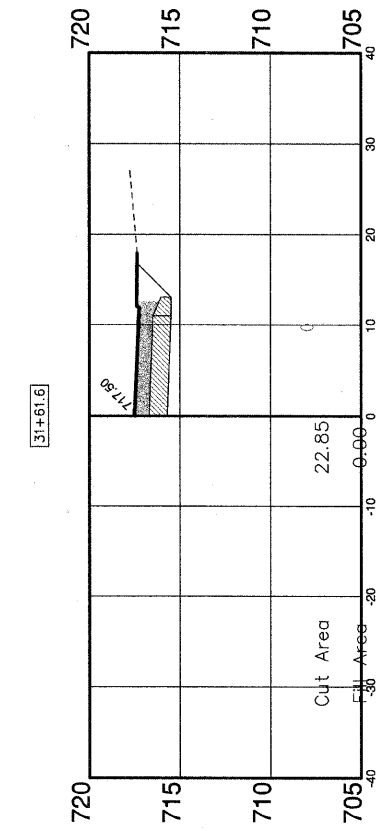
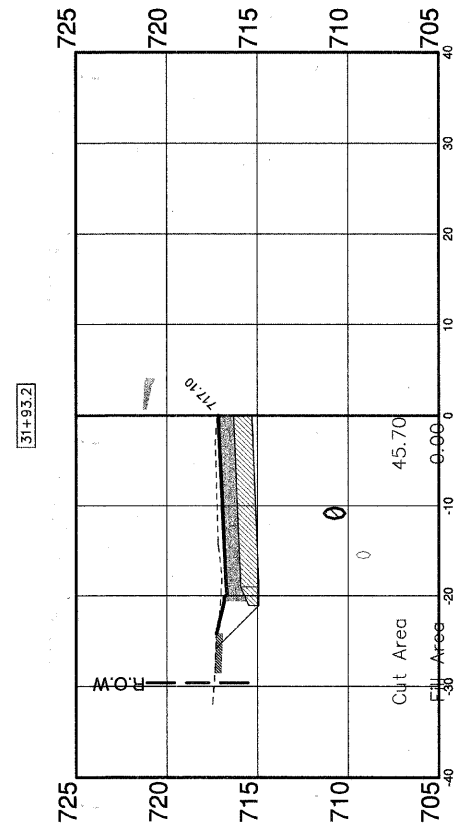
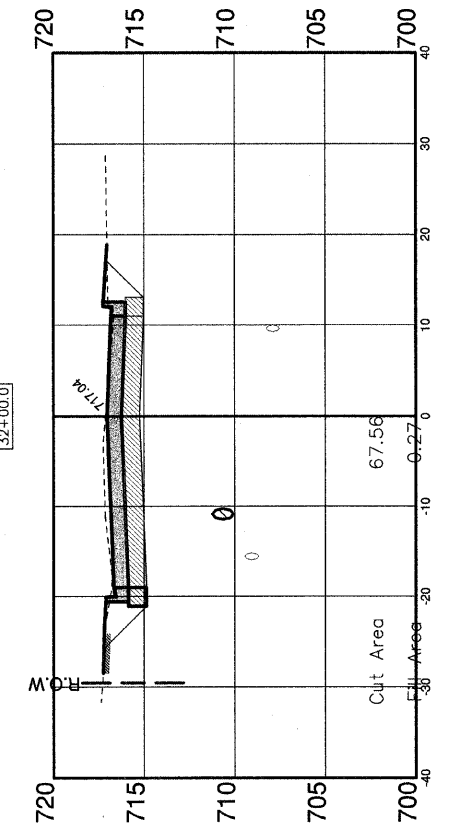
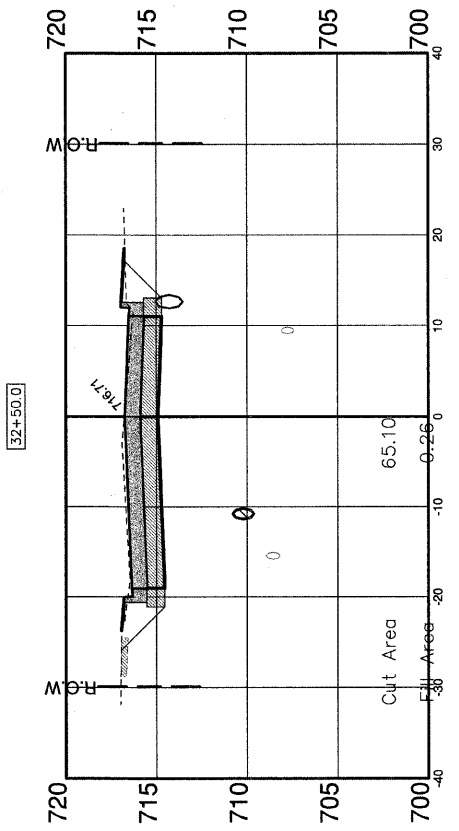
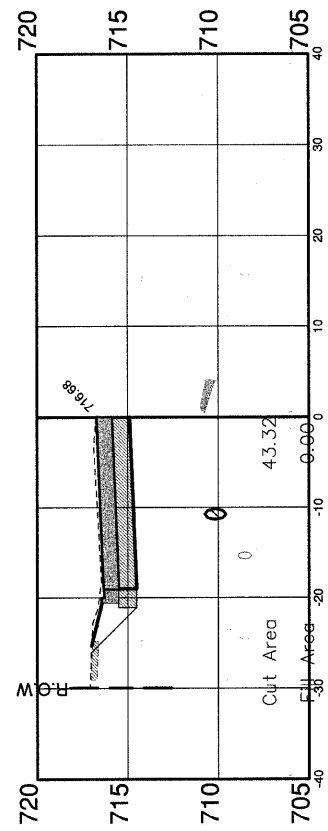


DESIGNED:	SURVEYED:	BY	DATE
DRAWN:	PLOTTED:		
CHECKED:	TEMPLATE:		
NOTE BOOK NO.:	DATE:		
	AREAS:		
	AREAS:		

DESIGNED:	SURVEYED:	BY	DATE
DRAWN:	PLOTTED:		
CHECKED:	TEMPLATE:		
NOTE BOOK NO.:	DATE:		
	AREAS:		
	AREAS:		



NOTE: CROSS SECTIONS SHOWN ARE LOOKING SOUTH.

FILE NAME: xxx

GERALD L. HEINZ & ASSOCIATES, INC.  
CONSULTING ENGINEERS & LAND SURVEYORS  
206 NORTH RIVER STREET  
EAST DUNDEE, ILLINOIS 60118

USER NAME:  
DESIGNED: EBW  
DRAWN: PC  
CHECKED: JDH  
DATE: AUGUST 25, 2010

REVISD: MARCH 23, 2011  
REVISED: MAY 16, 2011  
REVISED:  
REVISED:

STATE OF ILLINOIS  
DEPARTMENT OF TRANSPORTATION

CROSS SECTIONS

SCALE: 1" = 10'

SHEET NO. 9 OF 16 SHEETS STA: 30+50 TO STA: 32+55

PAV ROUTE	SECTION	COUNTY	TOTAL SHEETS	SHEET NO.
252B	04-00043-00-PV	KANE	85	78
CONTRACT NO. 63507				
FED. ROAD DIST. NO.	ILLINOIS	FED. AID. PROJECT		