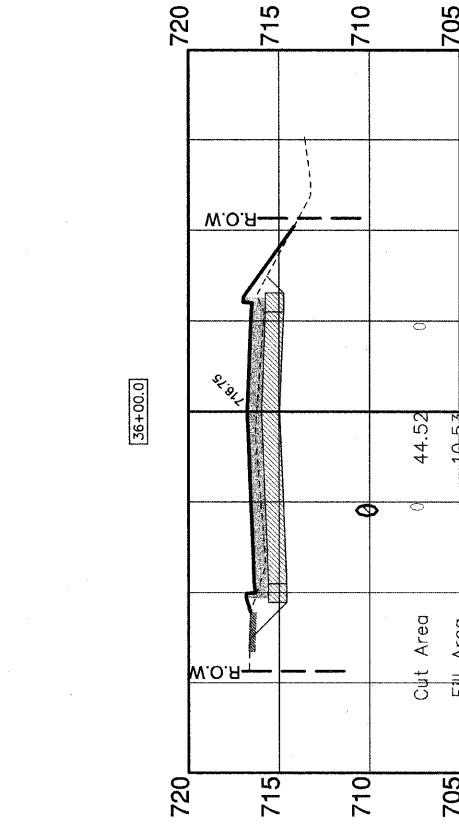
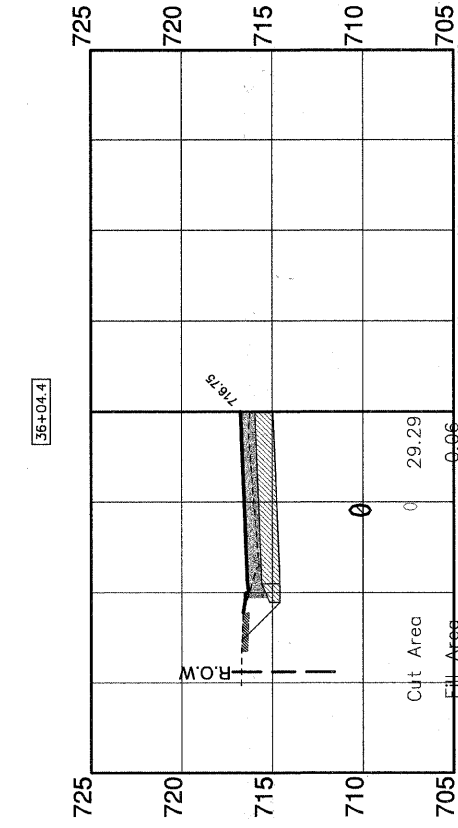
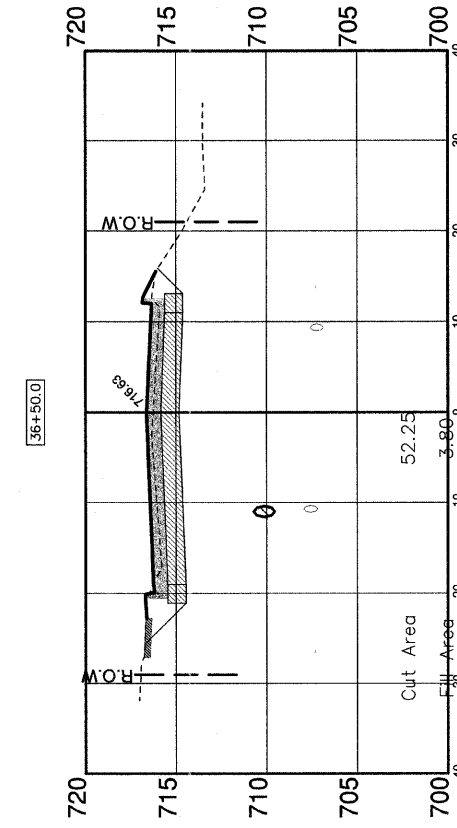
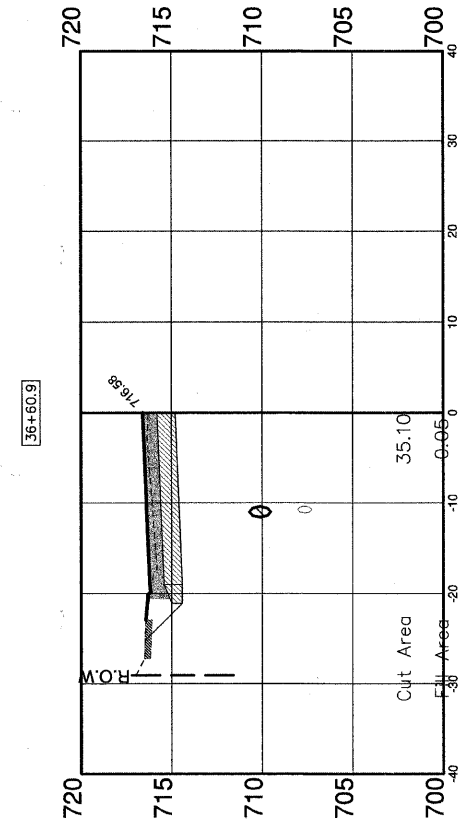
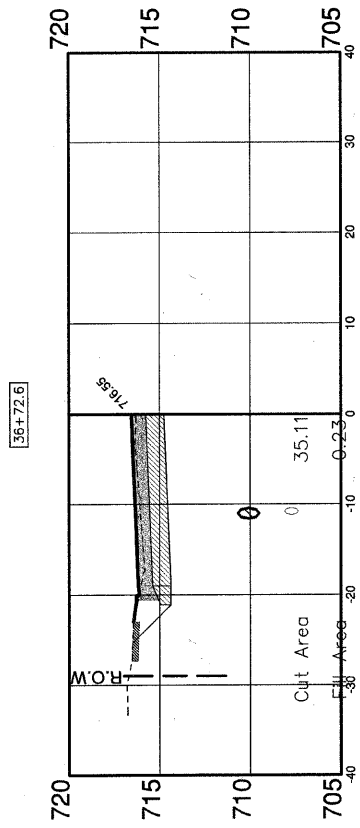


DESIGNED:	SURVEYED:	BY:	DATE:
DRAWN:	PLOTTED:		
CHECKED:	TEMPLATE:		
NOTE BOOK NO.:	DATE:	AREAS:	

DESIGNED:	SURVEYED:	BY:	DATE:
DRAWN:	PLOTTED:		
CHECKED:	TEMPLATE:		
NOTE BOOK NO.:	DATE:	AREAS:	



NOTE: CROSS SECTIONS SHOWN ARE LOOKING SOUTH.

FILE NAME: XXX

GERALD L. HEINZ & ASSOCIATES, INC.
CONSULTING ENGINEERS & LAND SURVEYORS
206 NORTH RIVER STREET
EAST DUNDEE, ILLINOIS 60118

USER NAME:
DESIGNED: EBW
DRAWN: PC
CHECKED: JDH
DATE: AUGUST 25, 2010

PLOT SCALE: 1" = 20'
PLOT DATE:

DESIGNED: EBW
DRAWN: PC
CHECKED: JDH
DATE: AUGUST 25, 2010

REVISED: MARCH 23, 2011
REVISED: MAY 16, 2011
REVISED:

STATE OF ILLINOIS
DEPARTMENT OF TRANSPORTATION

CROSS SECTIONS
SCALE: 1" = 10' SHEET NO. 11 OF 16 SHEETS STA: 36+00 TO STA: 36+73

FAU ROUTE	SECTION	COUNTY	TOTAL SHEETS	SHEET NO.
252B	04-00043-00-PV	KANE	85	80
CONTRACT NO. 63507				
FED. ROAD DIST. NO.	ILLINOIS	FED. AID. PROJECT		