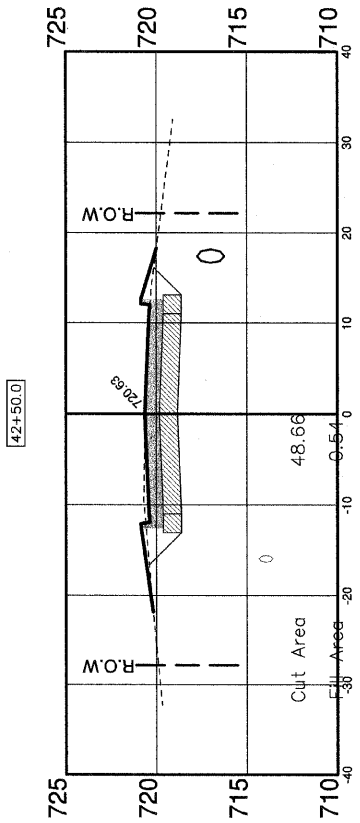
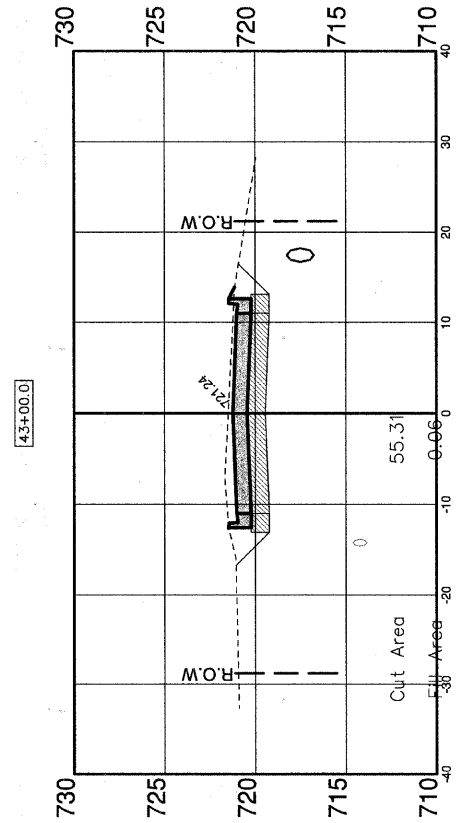
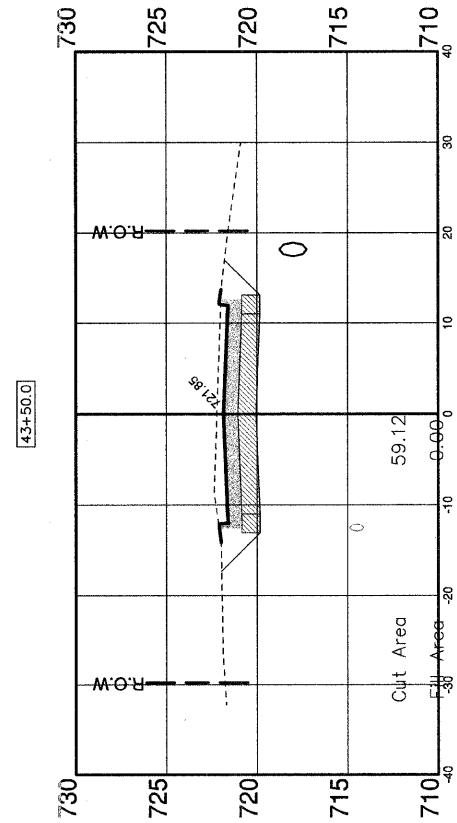
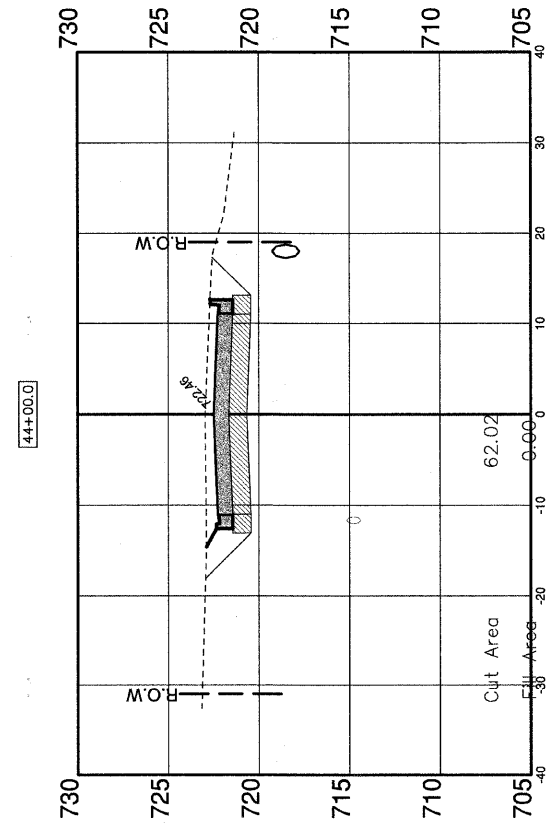
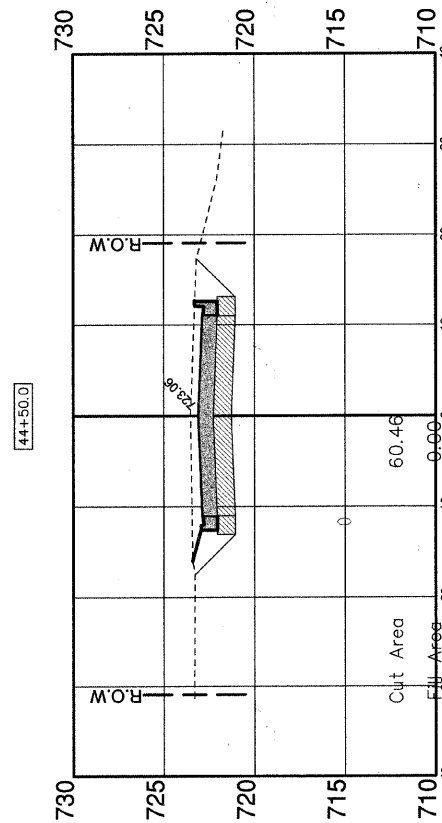
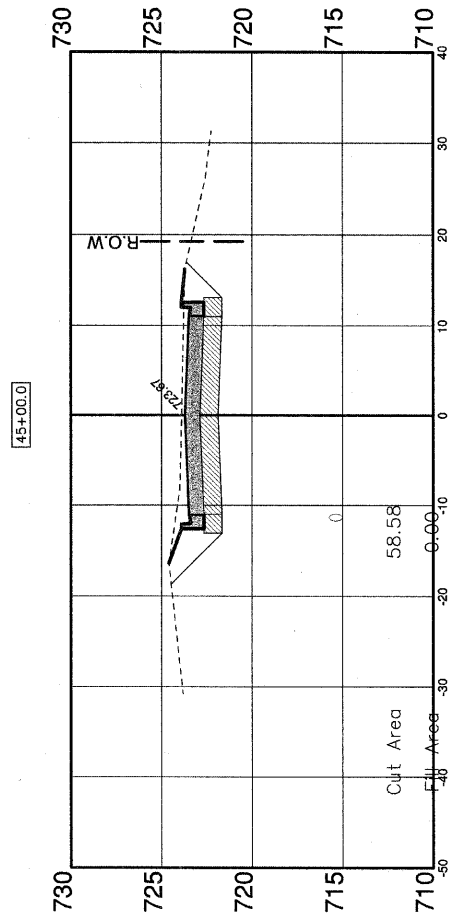
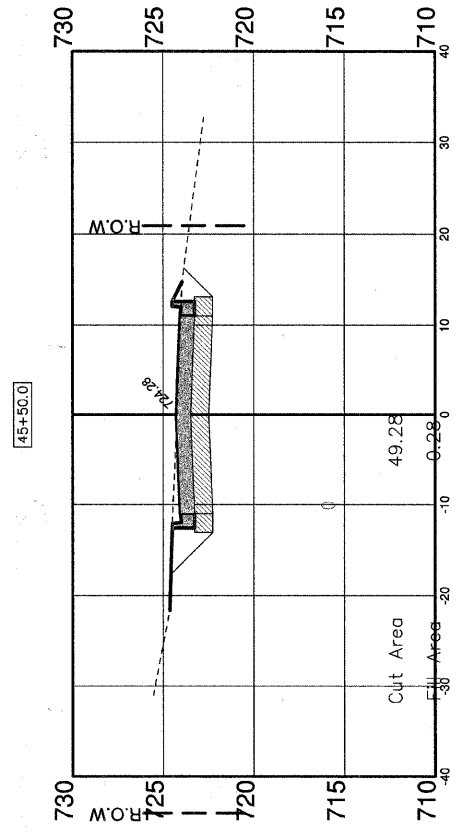
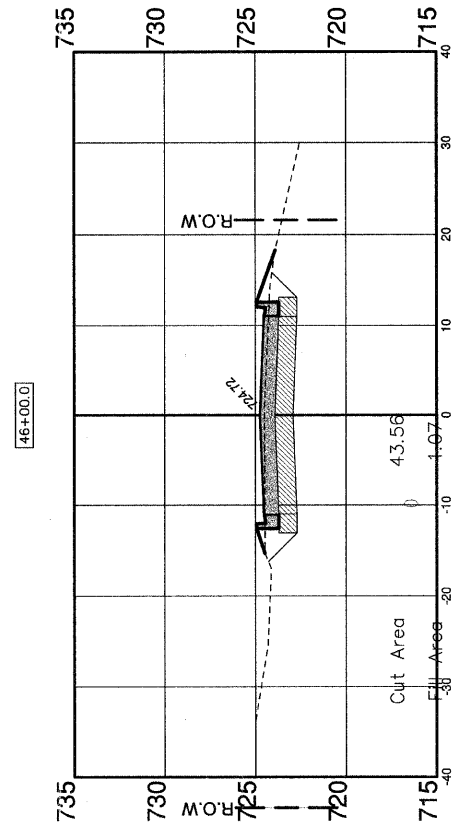
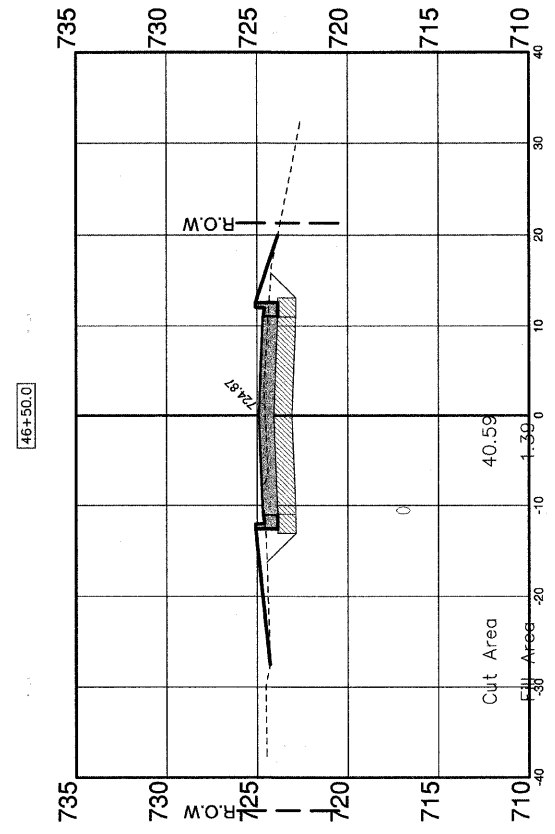
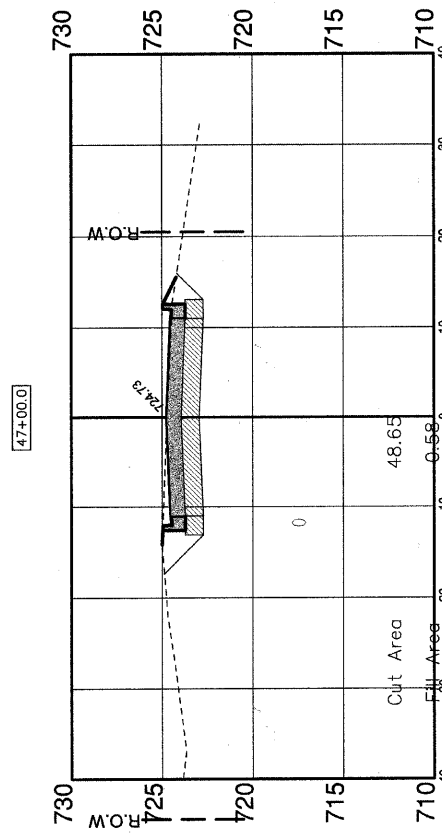


DESIGNED:	SURVEYED:	BY:	DATE:
DRAWN:	PLOTTED:		
CHECKED:	TEMPLATE:		
NO.:	DATE:		
AREAS:			

DESIGNED:	SURVEYED:	BY:	DATE:
DRAWN:	PLOTTED:		
CHECKED:	TEMPLATE:		
NO.:	DATE:		
AREAS:			



NOTE: CROSS SECTIONS SHOWN ARE LOOKING SOUTH.

FILE NAME: XXX

GERALD L. HEINZ & ASSOCIATES, INC.
CONSULTING ENGINEERS & LAND SURVEYORS
206 NORTH RIVER STREET
EAST DUNDEE, ILLINOIS 60118

USER NAME:
DESIGNED: EBW
DRAWN: PC
CHECKED: JDH
DATE: AUGUST 25, 2010

REVISIONS:
MARCH 23, 2011
MAY 16, 2011
REVISIONS:

STATE OF ILLINOIS
DEPARTMENT OF TRANSPORTATION

CROSS SECTIONS

SCALE: 1" = 10'
SHEET NO. 13 OF 16 SHEETS
STA: 42+50 TO STA: 47+00

FAU ROUTE	SECTION	COUNTY	TOTAL SHEETS	SHEET NO.
2528	04-00043-00-PV	KANE	85	82
FED. ROAD DIST. NO.			ILLINOIS	
FED. AID. PROJECT			CONTRACT NO. 63507	