

ILLINOIS ROUTE 38 COORDINATES

633+00	1891395.8534	1053845.4872	N 88-31-53 E
633+50	1891397.1350	1053895.4708	N 88-31-53 E
634+00	1891398.4165	1053945.4543	N 88-31-53 E
634+50	1891399.6981	1053995.4379	N 88-31-53 E
635+00	1891400.9796	1054045.4215	N 88-31-53 E
635+50	1891402.2612	1054095.4051	N 88-31-53 E
636+00	1891403.5428	1054145.3886	N 88-31-53 E
636+50	1891404.8243	1054195.3722	N 88-31-53 E
637+00	1891406.1059	1054245.3558	N 88-31-53 E
637+50	1891407.3875	1054295.3394	N 88-31-53 E
638+00	1891408.6690	1054345.3229	N 88-31-53 E
638+50	1891409.9506	1054395.3065	N 88-31-53 E
639+00	1891411.2321	1054445.2901	N 88-31-53 E
639+50	1891412.5137	1054495.2737	N 88-31-53 E
640+00	1891413.7953	1054545.2572	N 88-31-53 E
640+50	1891415.0768	1054595.2408	N 88-31-53 E

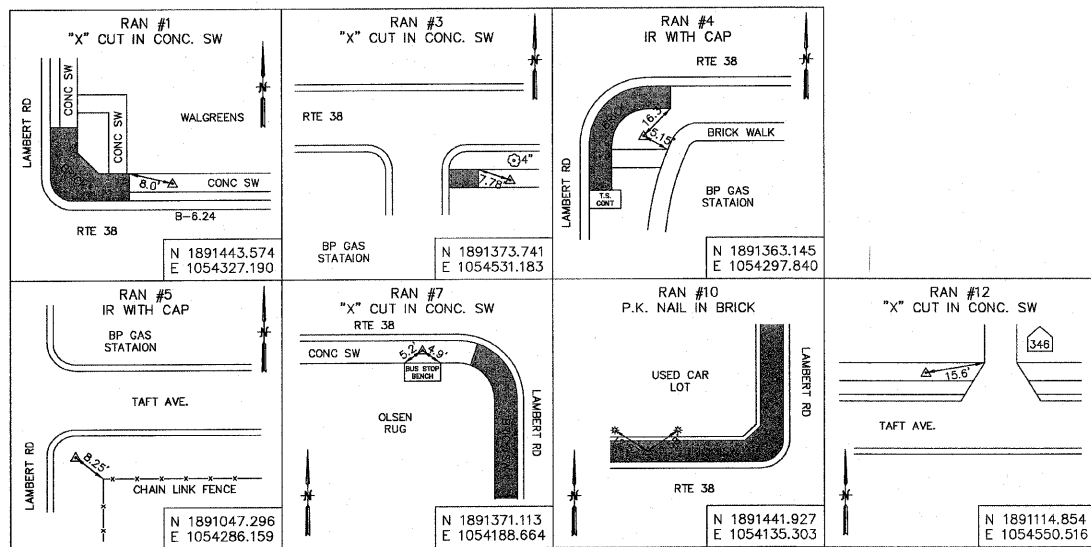
LAMBERT ROAD COORDINATES - NORTH

10+00	1891406.2604	1054251.3830	N 00-39-17 W
10+50	1891456.2572	1054250.8116	N 00-39-17 W
11+00	1891506.2539	1054250.2401	N 00-39-17 W
11+50	1891556.2506	1054249.6686	N 00-39-17 W
12+00	1891606.2474	1054249.0972	N 00-39-17 W
12+50	1891656.2441	1054248.5257	N 00-39-17 W
13+00	1891706.2408	1054247.9543	N 00-39-17 W

LAMBERT ROAD COORDINATES - SOUTH

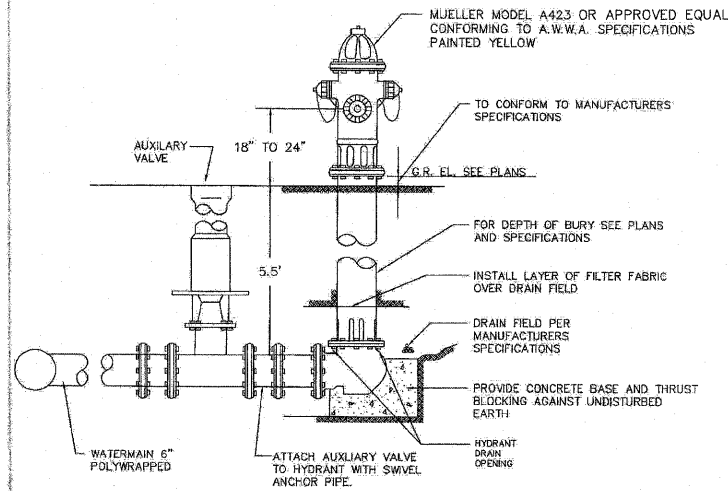
4+00	1890806.3156	1054255.0530	N 00-09-10 W
4+50	1890856.3155	1054254.9197	N 00-09-10 W
5+00	1890906.3153	1054254.7864	N 00-09-10 W
5+50	1890956.3151	1054254.6530	N 00-09-10 W
6+00	1891006.3149	1054254.5197	N 00-09-10 W
6+50	1891056.3148	1054254.3864	N 00-09-10 W
7+00	1891106.3146	1054254.2531	N 00-09-10 W
7+50	1891156.3144	1054254.1197	N 00-09-10 W
8+00	1891206.3142	1054253.9864	N 00-09-10 W
8+50	1891256.3140	1054253.8531	N 00-09-10 W
9+00	1891306.3139	1054253.7198	N 00-09-10 W
9+50	1891356.3137	1054253.5864	N 00-09-10 W
10+00	1891406.3135	1054253.4531	N 00-09-10 W

LAMBERT ROAD ALIGNMENT



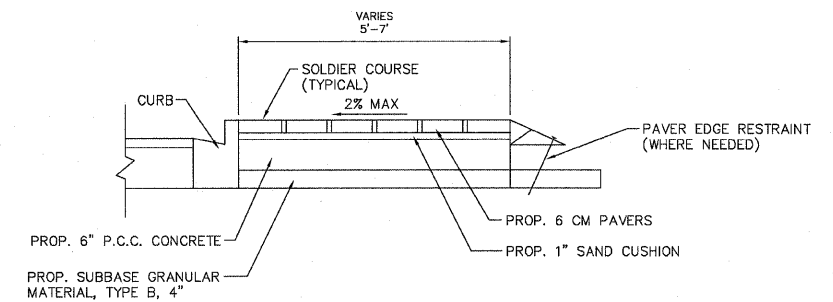
TIE POINTS

SEE PLAN SHEETS FOR BENCHMARKS

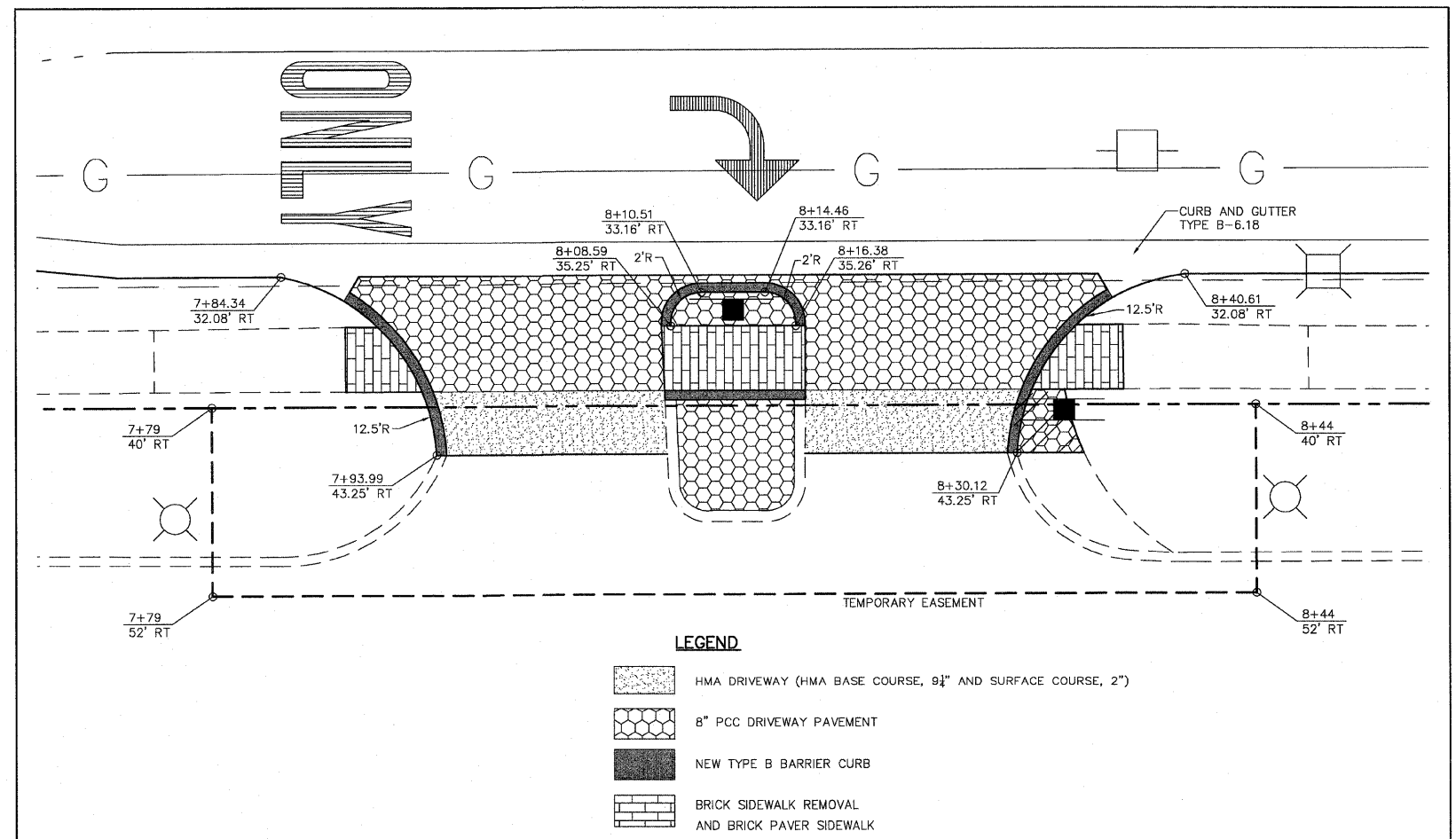


NOTE: 1. CONCRETE BASE AND BLOCKING MATERIAL SHALL NOT BLOCK NOR OBSTRUCT HYDRANT DRAIN
 2. SET HYDRANT 30" BEHIND CURB
 3. AUXILIARY VALVE MAY BE FLANGED TO HYDRANT

FIRE HYDRANT DETAIL
N.T.S.



BRICK PAVER SIDEWALK DETAIL
NO SCALE



LEGEND

- HMA DRIVEWAY (HMA BASE COURSE, 9 1/2" AND SURFACE COURSE, 2")
- 8" PCC DRIVEWAY PAVEMENT
- NEW TYPE B BARRIER CURB
- BRICK SIDEWALK REMOVAL AND BRICK PAVER SIDEWALK

DRIVEWAY DETAIL
SCALE: 1"=5'

FILE NAME =	USER NAME =	DESIGNED --	REVISED --	STATE OF ILLINOIS DEPARTMENT OF TRANSPORTATION		LAMBERT ROAD AT ROUTE 38 ALIGNMENT, TIES AND DETAILS	F.A.U. RTE.	SECTION	COUNTY	TOTAL SHEETS	SHEET NO.
P:\03\03040036\cad\phase 2\dwg\040036-sh1-Cover.dwg		DRAWN --	REVISED --				2567	05-00069-00-CH	DuPAGE	42	5
Sep 16, 2011 at 11:31		CHECKED --	REVISED --				CONTRACT NO. 63567				
Layout: 5-Align & Ties		DATE --	REVISED --				ILLINOIS FED. AID PROJECT				
							FED. ROAD DIST. NO.				