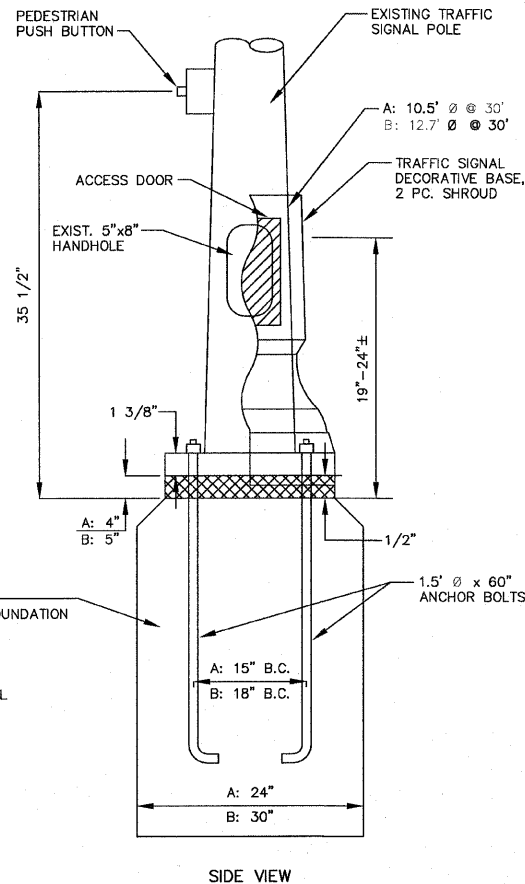
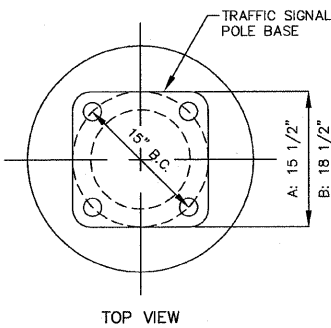


SCHEDULE OF QUANTITIES

NOTE:

TAMPER RESISTANT STAINLESS STEEL BOLTS SHALL BE PROVIDED
 TREAT ALL ACCESS BOLTS WITH 'NEVER SEEZ' OR EQUAL.
 THE ACCESS DOOR SHALL LINE UP WITH THE HAND HOLE FOR THE TRAFFIC SIGNAL POLE.
 THE TRAFFIC SIGNAL SHROUD BASE SHALL BE SUPPORTED ON THE TRAFFIC SIGNAL POLE BASE PLATE.



EXISTING TRAFFIC BASE SCHEDULE

POLE LOCATION	LAMBERT	MAIN	PARK	NICOLL	BAKER HILL
NORTHWEST	A	A	A	A	
NORTHEAST	A	B	B	B	
SOUTHEAST	A	A	A	A	A
SOUTHWEST	B	B	B	B	

BASE A: 15" B.C. W/24" CONC. FOUNDATION
 BASE B: 18" B.C. 2/30" CONC. FOUNDATION

A TOTAL: 10
 B TOTAL: 7
 TOTAL: 17

GLEN ELLYN
 TRAFFIC SIGNAL
 DECORATIVE BASE DETAIL
 (FOR INFORMATION)
 NO SCALE

RELOCATE EXISTING MAST ARM ASSEMBLY AND POLE (SPECIAL)
 NOTE: NEW TYPE "E" FOUNDATION SHALL BE 30" DIAMETER x 15'-0" IN DEPTH

ITEM DESCRIPTION	UNIT	QTY
SERVICE INSTALLATION - GROUND MOUNTED	EACH	1
UNDERGROUND CONDUIT, GALVANIZED STEEL, 2" DIA.	FOOT	105
UNDERGROUND CONDUIT, GALVANIZED STEEL, 2 1/2" DIA.	FOOT	63
UNDERGROUND CONDUIT, GALVANIZED STEEL, 3" DIA.	FOOT	10
UNDERGROUND CONDUIT, GALVANIZED STEEL, 4" DIA.	FOOT	290
HANDHOLE	EACH	1
HEAVY-DUTY HANDHOLE	EACH	1
DOUBLE HANDHOLE	EACH	1
PAINT EXISTING TRAFFIC SIGNAL EQUIPMENT	EACH	1
PAINT NEW TRAFFIC SIGNAL POST	EACH	3
TRANSCEIVER - FIBER OPTIC	EACH	1
ELECTRIC CABLE IN CONDUIT, SIGNAL NO. 14 2C	FOOT	697
ELECTRIC CABLE IN CONDUIT, SIGNAL NO. 14 3C	FOOT	936
ELECTRIC CABLE IN CONDUIT, SIGNAL NO. 14 5C	FOOT	613
ELECTRIC CABLE IN CONDUIT, SIGNAL NO. 14 7C	FOOT	1443
ELECTRIC CABLE IN CONDUIT, LEAD-IN, NO. 14 1 PAIR	FOOT	1625
ELECTRIC CABLE IN CONDUIT, SERVICE, NO. 6 2 C	FOOT	42
ELECTRIC CABLE IN CONDUIT, EQUIPMENT GROUNDING CONDUCTOR, NO. 6 1C	FOOT	594
TRAFFIC SIGNAL POST, GALVANIZED STEEL 10 FT.	EACH	2
TRAFFIC SIGNAL POST, GALVANIZED STEEL 16 FT.	EACH	1
CONCRETE FOUNDATION, TYPE A	FOOT	16
CONCRETE FOUNDATION, TYPE C	FOOT	4
CONCRETE FOUNDATION, TYPE E 30-INCH DIAMETER	FOOT	15
DRILL EXISTING HANDHOLE	EACH	4
SIGNAL HEAD, LED, 1-FACE, 5-SECTION, BRACKET MOUNTED	EACH	2
PEDESTRIAN SIGNAL HEAD, LED, 1-FACE, BRACKET MOUNTED WITH COUNTDOWN TIMER	EACH	6
INDUCTIVE LOOP DETECTOR	EACH	9
DETECTOR LOOP, TYPE I	FOOT	437
PEDESTRIAN PUSH-BUTTON	EACH	6
TEMPORARY TRAFFIC SIGNAL INSTALLATION	EACH	1
RELOCATE EXISTING SIGNAL HEAD	EACH	3
RELOCATE EXISTING MAST ARM ASSEMBLY AND POLE	EACH	1
RELOCATE EXISTING EMERGENCY VEHICLE PRIORITY SYSTEM, DETECTOR UNIT	EACH	1
RELOCATE EXISTING EMERGENCY VEHICLE PRIORITY SYSTEM, PHASING UNIT	EACH	1
REMOVE ELECTRIC CABLE FROM CONDUIT	FOOT	1088
REMOVE EXISTING TRAFFIC SIGNAL EQUIPMENT	EACH	1
REMOVE EXISTING HANDHOLE	EACH	1
REMOVE EXISTING CONCRETE FOUNDATION	EACH	3
TEMPORARY INFORMATION SIGNING	SQ FT	51
TEMPORARY TRAFFIC SIGNAL TIMING	EACH	1
FULL-ACTUATED CONTROLLER AND TYPE IV CABINET, SPECIAL	EACH	1
UNINTERRUPTABLE POWER SUPPLY, SPECIAL	EACH	1
ELECTRIC CABLE IN CONDUIT NO. 20 3/C, TWISTED, SHIELDED	FOOT	243
RELOCATE SIGN PANEL, TYPE 1	SQ FT	7

FILE NAME = P:\03\03040036\03\phase 2\dwg\040036-sht-interconnect.dwg
 Plt 06, 2012 at 10:56
 Layout: 14-Schedule - Details

USER NAME =	DESIGNED - JAS	REVISED -
PLOT SCALE =	DRAWN - SS	REVISED -
PLOT DATE =	CHECKED - DY	REVISED -
	DATE - 6/29/09	REVISED -

STATE OF ILLINOIS
 DEPARTMENT OF TRANSPORTATION



SCHEDULE OF QUANTITIES, EXISTING MAST
 ARM POLE DETAIL & DECORATIVE BASE
 ILLINOIS ROUTE 38 AND LAMBERT ROAD

SCALE: NONE SHEET NO. OF SHEETS STA. TO STA.

F.A.U. RTE. 2567	SECTION 05-00069-00-CH	COUNTY DuPAGE	TOTAL SHEETS 42	SHEET NO. 14
FED. ROAD DIST. NO. ILLINOIS FED. AID PROJECT			CONTRACT NO. 63567	