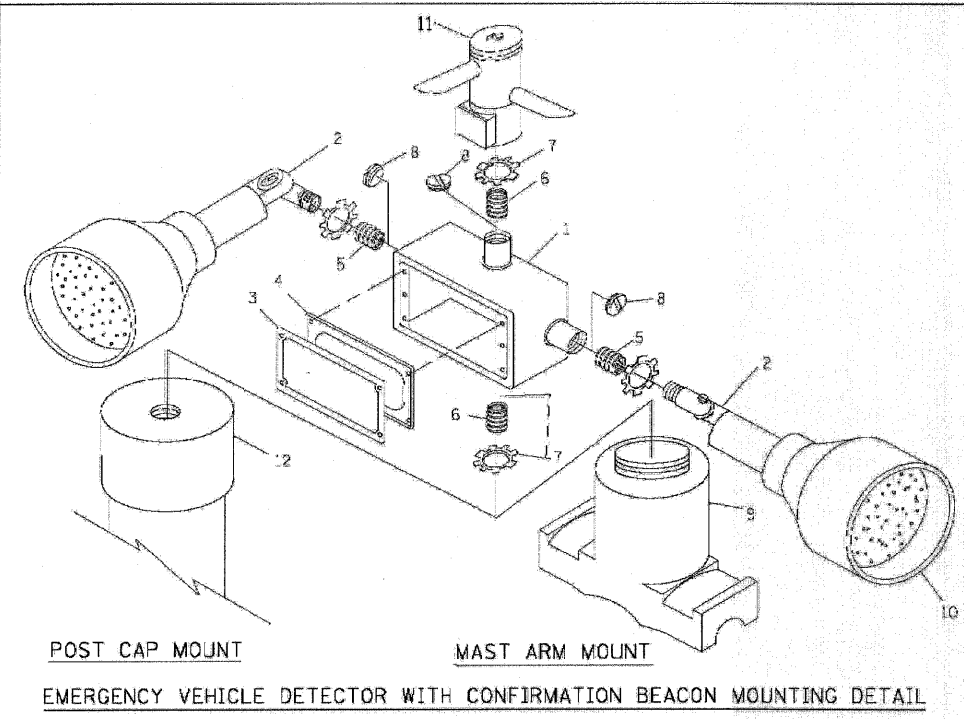


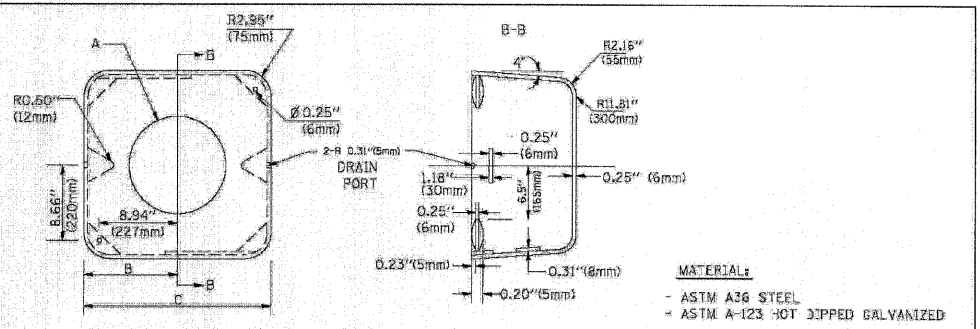
TRAFFIC SIGNAL POST - MOUNTING BASE - TYPE A



EMERGENCY VEHICLE DETECTOR WITH CONFIRMATION BEACON MOUNTING DETAIL

ITEM NO.	IDENTIFICATION
1	CLIFF BOX - GALV. 21 CU LIN. 10.000344 CU-M
2	LAMP HOLDER AND COVER
3	CLIFF BOX COVER
4	RUBBER COVER GASKET
5	REDUCING BUSHING
6	3/4\"/>
7	3/4\"/>
8	3/4\"/>
9	SADDLE BRACKET - GALV.
10	6 WATT PAR 38 LED FLOOD LAMP
11	DETECTOR UNIT
12	POST CAP (18 FT. (5.4 m) POST MIN.)

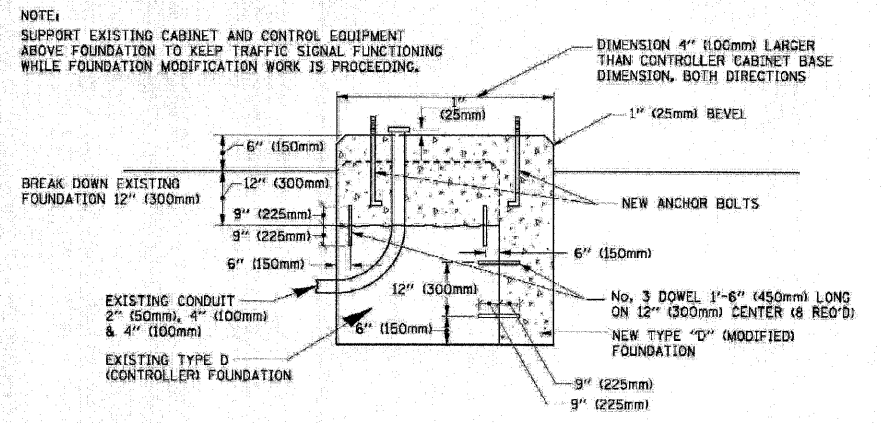
- NOTES:**
- ALL ELECTRICAL ITEMS, EXCEPT ITEMS #2 AND #11 SHALL BE ALUMINUM OR GALVANIZED
 - ITEM #1- OZ/GEENEY FSX-1-50 OR EQUIVALENT
 ITEM #2- MULBERRY CON-O-SHADE LAMP SHIELD OR EQUIVALENT
 ITEM #8- "BAND-IT" SADDLE BRACKET OR EQUIVALENT
 - WHEN POST MOUNTING IS SPECIFIED, ITEM #9 SHALL NOT BE REQUIRED. THE DETECTION UNIT SHALL BE MOUNTED DIRECTLY ON TOP OF THE CAP BY DRILLING AND TAPPING A 3/4\"/>



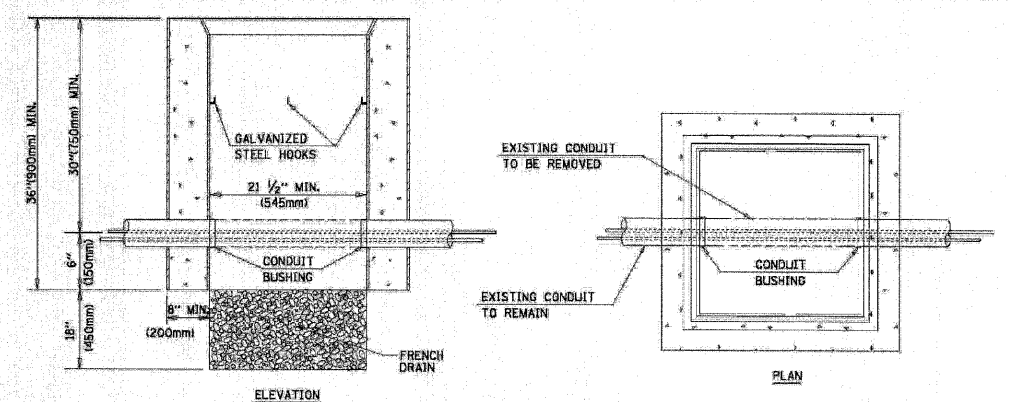
A	B	C	HEIGHT	WEIGHT
VARIES	9.5\"/>			
VARIES	10.75\"/>			
VARIES	13.0\"/>			
VARIES	18.5\"/>			

SHROUD

- NOTES:**
- DIMENSION "A" IS EQUAL TO THE DIAMETER OF THE MAST ARM POLE AT THE TOP OF THE SHROUD. THE SHROUD SHALL BE TIGHT TO THE MAST ARM POLE.
 - THE SUPPLIER SHALL VERIFY THE ABOVE DIMENSIONS BASED ON MAST ARM REQUIREMENTS.
 - THE HEIGHT OF THE SHROUD SHALL COVER THE ANCHOR BOLTS, NUTS AND MAST ARM POLE BASE.



MODIFY EXISTING TYPE "D" FOUNDATION



- NOTES:**
- HANDHOLE CONSTRUCTED PER STATE STANDARD 814001.
 - REMOVAL OF THE EXISTING CONDUIT FROM THE HANDHOLE AND THE INSTALLATION OF THE CONDUIT BUSHINGS SHALL BE INCIDENTAL TO THE HANDHOLE.

HANDHOLE TO INTERCEPT EXISTING CONDUIT

FILE NAME =	USER NAME =	DESIGNED -	REVISED -
PLCT SCALE =	PLCT DATE =	DRAWN -	REVISED -
		CHECKED -	REVISED -
		DATE -	REVISED -

**STATE OF ILLINOIS
 DEPARTMENT OF TRANSPORTATION**

**DISTRICT 1
 STANDARD TRAFFIC SIGNAL DESIGN DETAILS**

SCALE: SHEET NO. 4 OF 6 SHEETS STA. TO STA.

F.A.U. RITE:	SECTION	COUNTY	TOTAL SHEETS	SHEET NO.
2567	05-00069-00-CH	DuPAGE	42	23
CONTRACT NO.				63567
FED. ROAD DIST. NO. [IL] (C) ILL. FED. AID PROJECT				