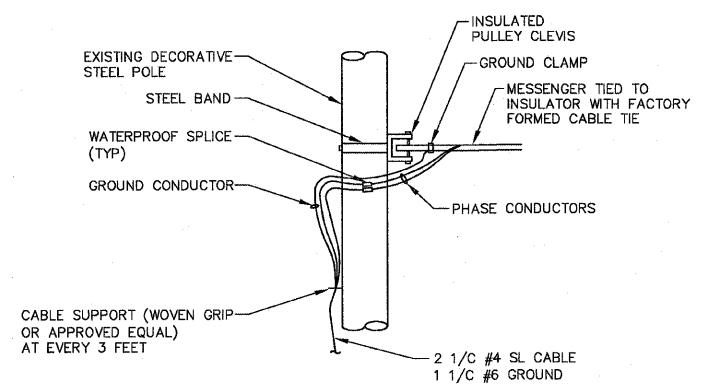
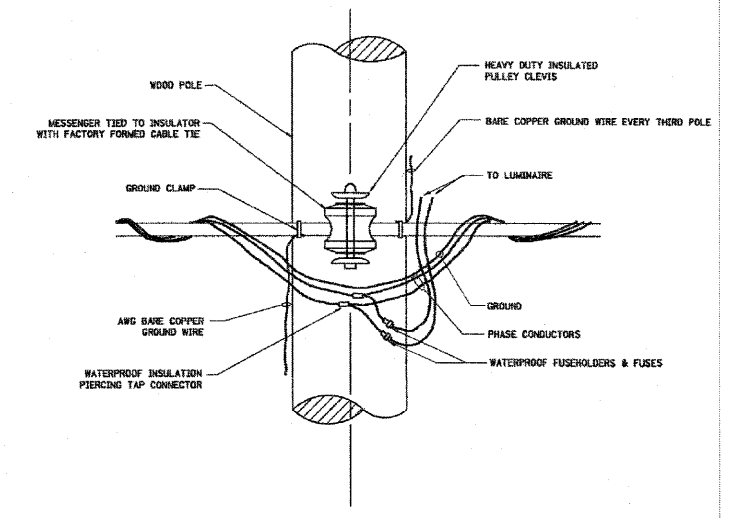


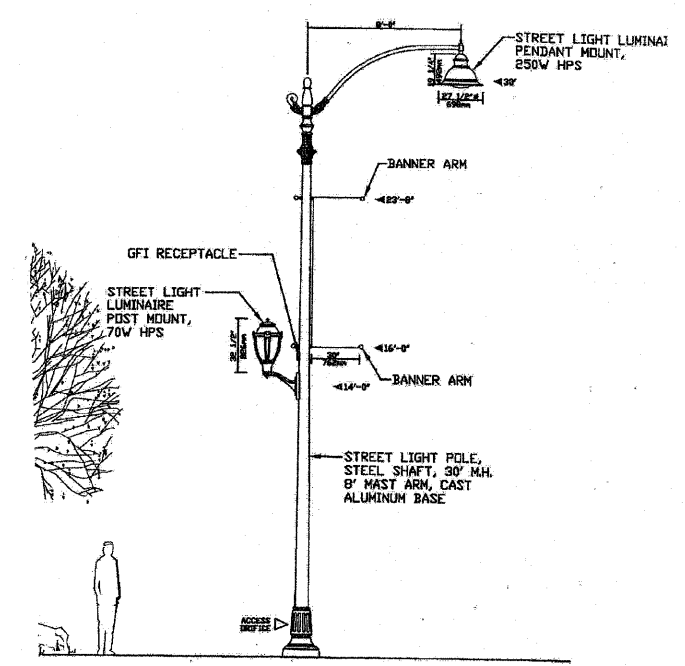
- GENERAL NOTES:**
1. THE CONTRACTOR SHALL VERIFY ALL OF THE INFORMATION SHOWN ON THE CONTRACT DRAWINGS, WHICH WOULD AFFECT THE WORK UNDER THIS CONTRACT.
 2. IT IS THE RESPONSIBILITY OF THE CONTRACTOR TO ASCERTAIN EXISTING FIELD CONDITIONS BEFORE BIDDING ON THIS PROJECT, SPECIFICALLY AS THEY RELATE TO LUMP SUM ITEMS AND UNIT PRICE ITEMS.
 3. ALL NEW CONDUITS, UNIT DUCTS, DIRECT BURIAL CABLES, AND APPURTENANCES ARE INDICATED DIAGRAMMATICALLY ON THE DRAWINGS. THE ACTUAL LOCATIONS IN THE FIELD SHALL MEET WITH APPROVAL OF THE ENGINEER.
 4. THE ELECTRICAL WORK SHALL BE PERFORMED IN ACCORDANCE WITH THE 2007 STANDARD SPECIFICATIONS FOR ROAD AND BRIDGE CONSTRUCTION AND ASSOCIATED SUPPLEMENTAL CONDITIONS.
 5. THE SCALE SHOWN ON PLAN DRAWINGS APPLIES ONLY TO THE FULL SIZE PLANS AND NOT TO REDUCED SIZE PLANS.
 6. ALL LUMINAIRES SHALL BE ORIENTED WITH THE OPTICS PERPENDICULAR TO THE ROADWAY UNLESS OTHERWISE INDICATED OR DIRECTED BY THE ENGINEER. THIS WORK SHALL BE CONSIDERED INCLUDED IN THE INSTALL LIGHT STANDARD ITEM. SEPARATE PAYMENT WILL NOT BE MADE.
 7. CONDUITS AND UNIT DUCTS SHALL BE INSTALLED AT A MINIMUM 30" DEPTH BELOW GRADE AND POSITIONED IN THE FIELD TO AVOID CONFLICT WITH ROADWAY UNDERMANS AND OTHER EXISTING AND PROPOSED UTILITIES. THE CONTRACTOR SHALL INCREASE DEPTH OF UNIT DUCT AND CONDUIT AS REQUIRED AT NO ADDITIONAL COST. THE CONTRACTOR SHALL COORDINATE RACEWAY DEPTH WITH THE ELECTRICAL DETAILS AND THE ENGINEER.
 8. WHERE THE CONTRACTOR'S EXCAVATION MEETS AN OBSTRUCTION, THE CONTRACTOR SHALL NOTIFY THE ENGINEER FOR DIRECTION IN WRITING PRIOR TO EXCAVATION. THE CONTRACTOR SHALL RESTORE ANY DAMAGE TO EXISTING SYSTEMS OR UTILITIES AND REMOVE EXISTING OBSTRUCTIONS AND FOUNDATIONS TO THE SATISFACTION OF THE ENGINEER. THIS WORK SHALL BE CONSIDERED INCIDENTAL TO THE APPROPRIATE PAY ITEM.



TEMPORARY AERIAL CABLE CONNECTION DETAILS
N.T.S.

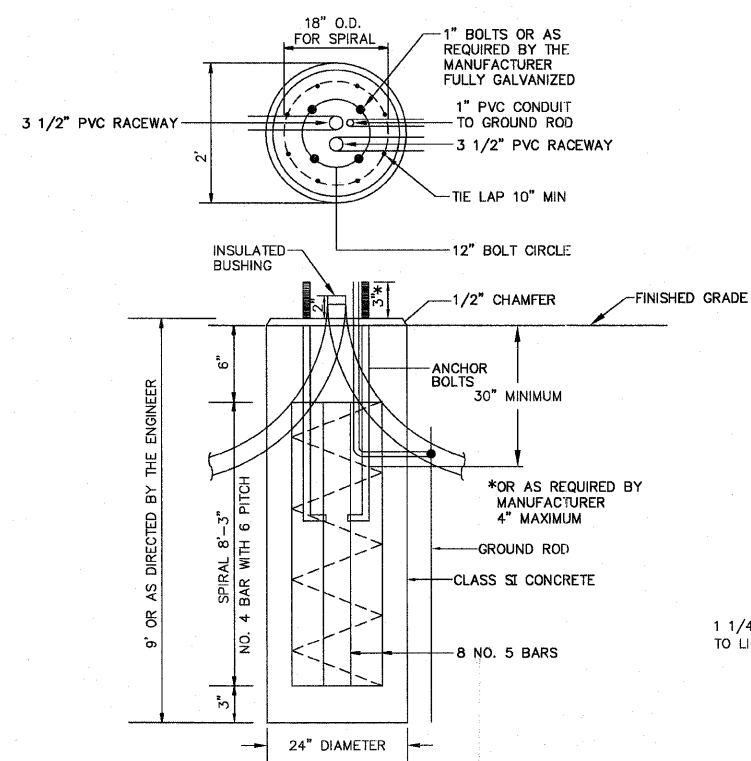


TEMPORARY WOOD POLE ATTACHMENT DETAIL

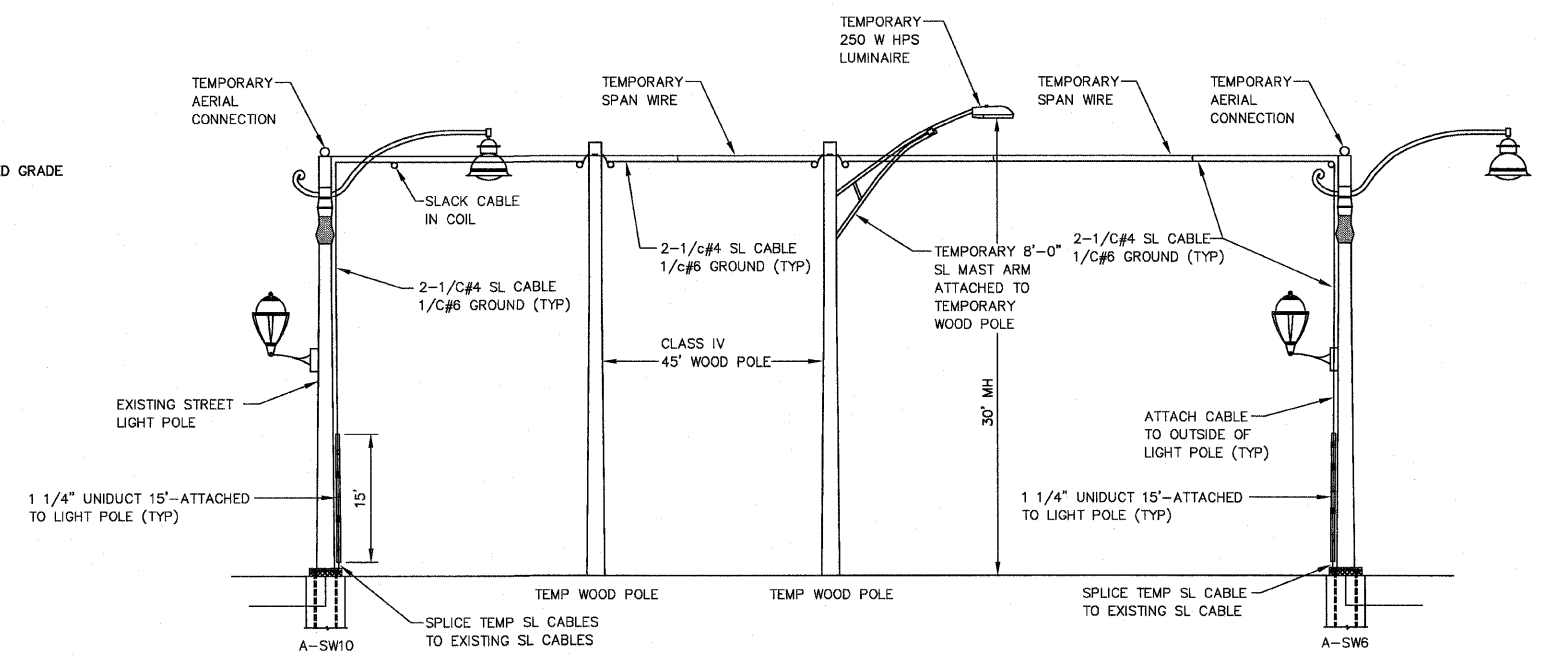


STREET LIGHT DETAIL 30'

RELOCATE EXISTING LIGHTING UNIT DETAIL
METAL LIGHT POLE, INSTALL ONLY DETAIL



CONCRETE FOUNDATION, 24" DIAMETER DETAIL FOR STREET LIGHT POLE



TEMPORARY STREET LIGHT CONNECTIONS DETAIL CIRCUIT A-SW

FILE NAME =	USER NAME =	DESIGNED - DAY	REVISED -	STATE OF ILLINOIS DEPARTMENT OF TRANSPORTATION	HLR	TEMPORARY STREET LIGHTING AND LIGHTING DETAILS ILLINOIS ROUTE 38 AND LAMBERT ROAD	F.A.U. RTE.	SECTION	COUNTY	TOTAL SHEETS	SHEET NO.
P:\03\03040036\cad\phase 2\dwg\040036-sht-lighting.dwg		DRAWN - SMS	REVISED -				2567	05-00069-00-CH	DuPAGE	38	27
Feb 01, 2012 at 13:53		CHECKED - DAY	REVISED -				CONTRACT NO. 63567				
Layout: 27-Temporary Details		DATE - 6/29/09	REVISED -				FED. ROAD DIST. NO. ILLINOIS FED. AID PROJECT				
				SCALE: 1"=20'		SHEET NO. OF SHEETS STA. TO STA.					