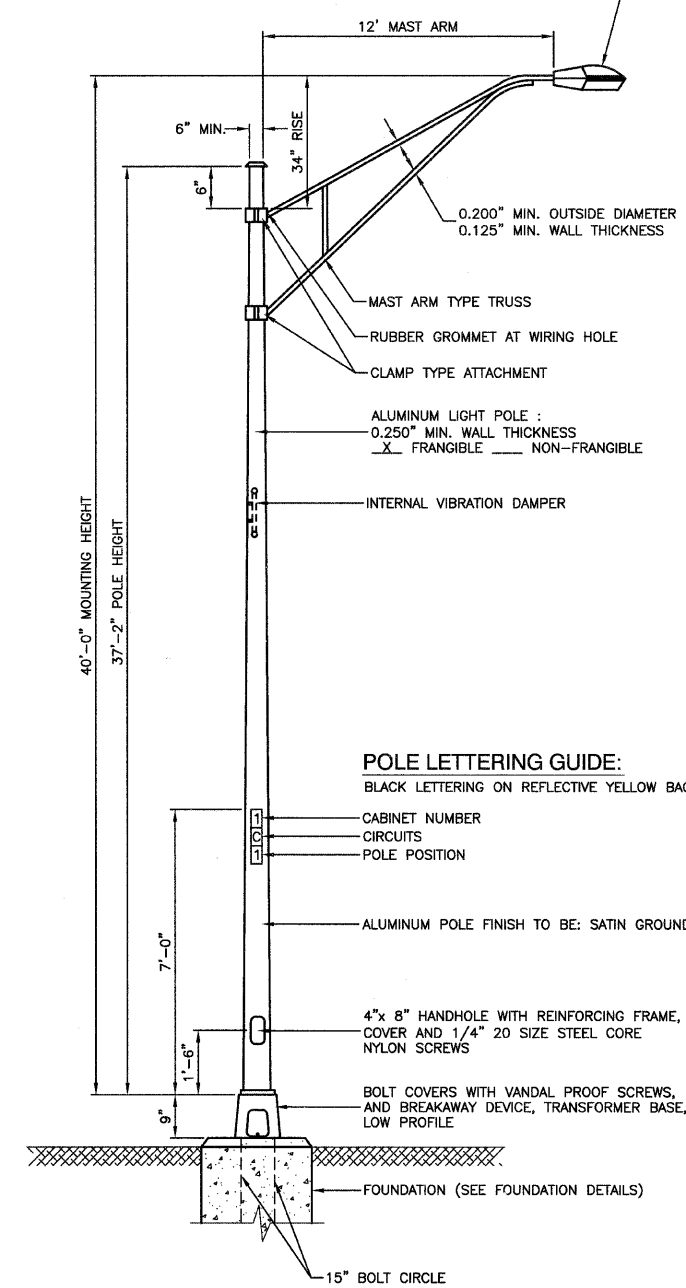


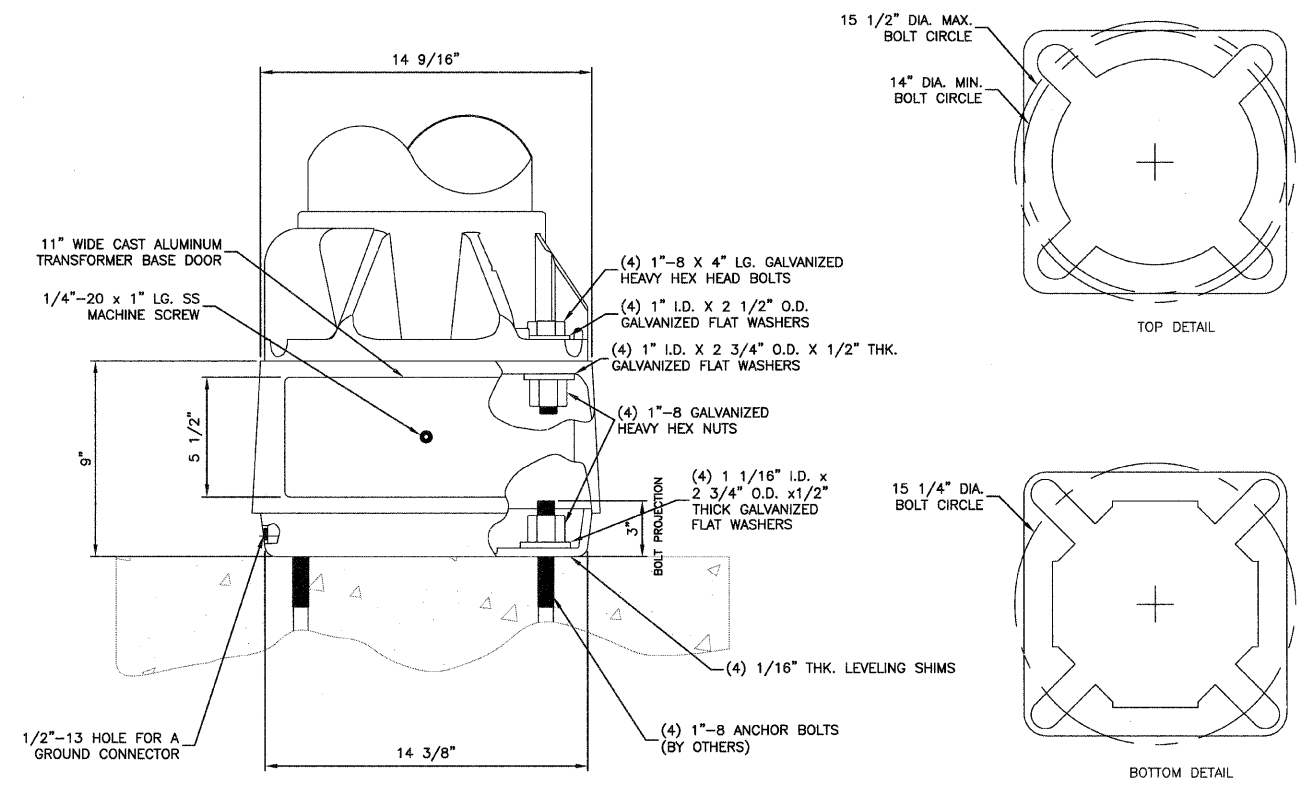
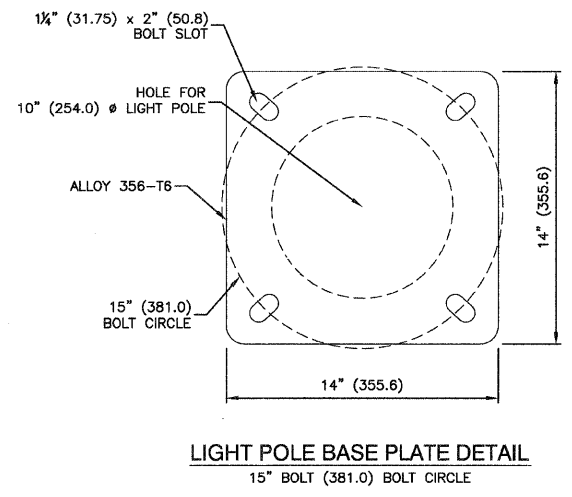
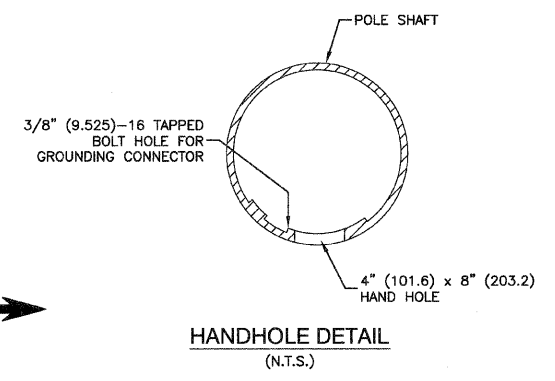
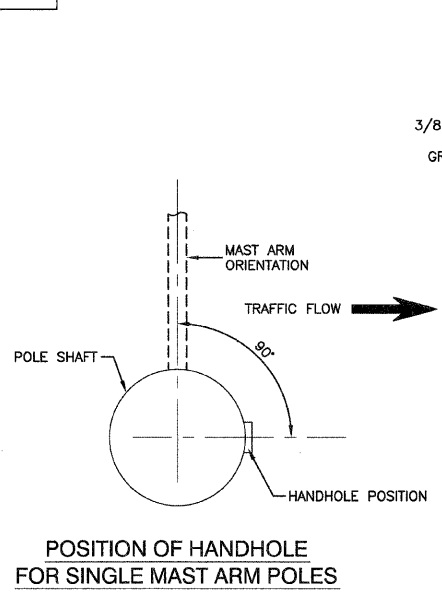
LUMINAIRE:
 250 WATT HIGH PRESSURE SODIUM LAMP
 240 VOLT BALLAST
 I.E.S. TYPE: MC III LIGHT DISTRIBUTION,
 FULL CUTOFF
 LENS TYPE: FLAT
 INITIAL LAMP LUMENS: 28,000
 LAMP LIFE: 24,000 HOURS



POLE LETTERING GUIDE:
 BLACK LETTERING ON REFLECTIVE YELLOW BACKGROUND

- NOTES:**
1. THE LIGHTING UNITS SHALL MEET AASHTO DESIGN CRITERIA. DESIGN FOR 90 M.P.H. WIND WITH 30% GUST AND 75 POUND LUMINAIRE HAVING AN E.P.A. OF 1.6 SQ. FT. AND PROPER ICE LOADING.
 2. ALUMINUM ALLOY 6063-T6 SHALL BE USED.
 3. LIGHT POLE AND ASSOCIATED EQUIPMENT TO BE U.L. LISTED

TYPICAL POLE INSTALLATION



TRANSFORMER BASE DETAIL, 15" BOLT CIRCLE

- NOTES:**
1. BREAKAWAY DEVICE TO BE AASHTO APPROVED.



FILE NAME = 09527-LGHT-DTLS-01 - P03	USER NAME =	DESIGNED -- DWS	REVISIONS --	STATE OF ILLINOIS DEPARTMENT OF TRANSPORTATION	FAP 0344 (127TH STREET) AT SACRAMENTO AVENUE STREET LIGHTING DETAILS	F.A.U. NO.	SECTION	COUNTY	TOTAL SHEETS	SHEET NO.	
		CHECKED -- PAP	REVISIONS --			0344	06-00175-00-TL	COOK	48	17	
		PLOT SCALE = 1"=1'	DRAWN -- LTL			REVISIONS --	CONTRACT NO. 63613				
		PLOT DATE = 02-22-12	CHECKED -- AG			REVISIONS --	SCALE: NA SHEET NO. 17 OF 48 SHEETS STA. TO STA. FED. ROAD DIST. NO. 1 ILLINOIS FED. AID PROJECT F-0344 (041)				