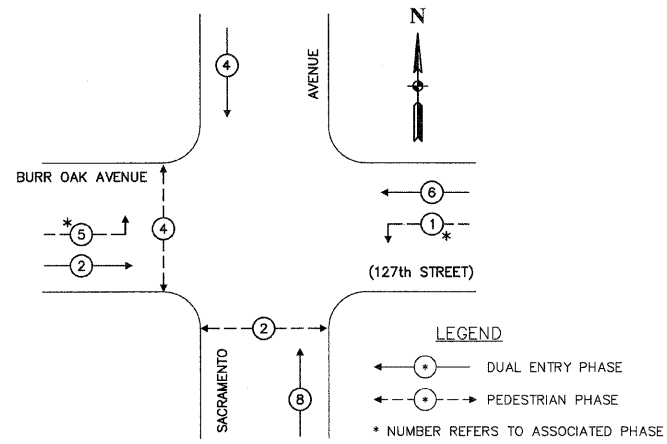
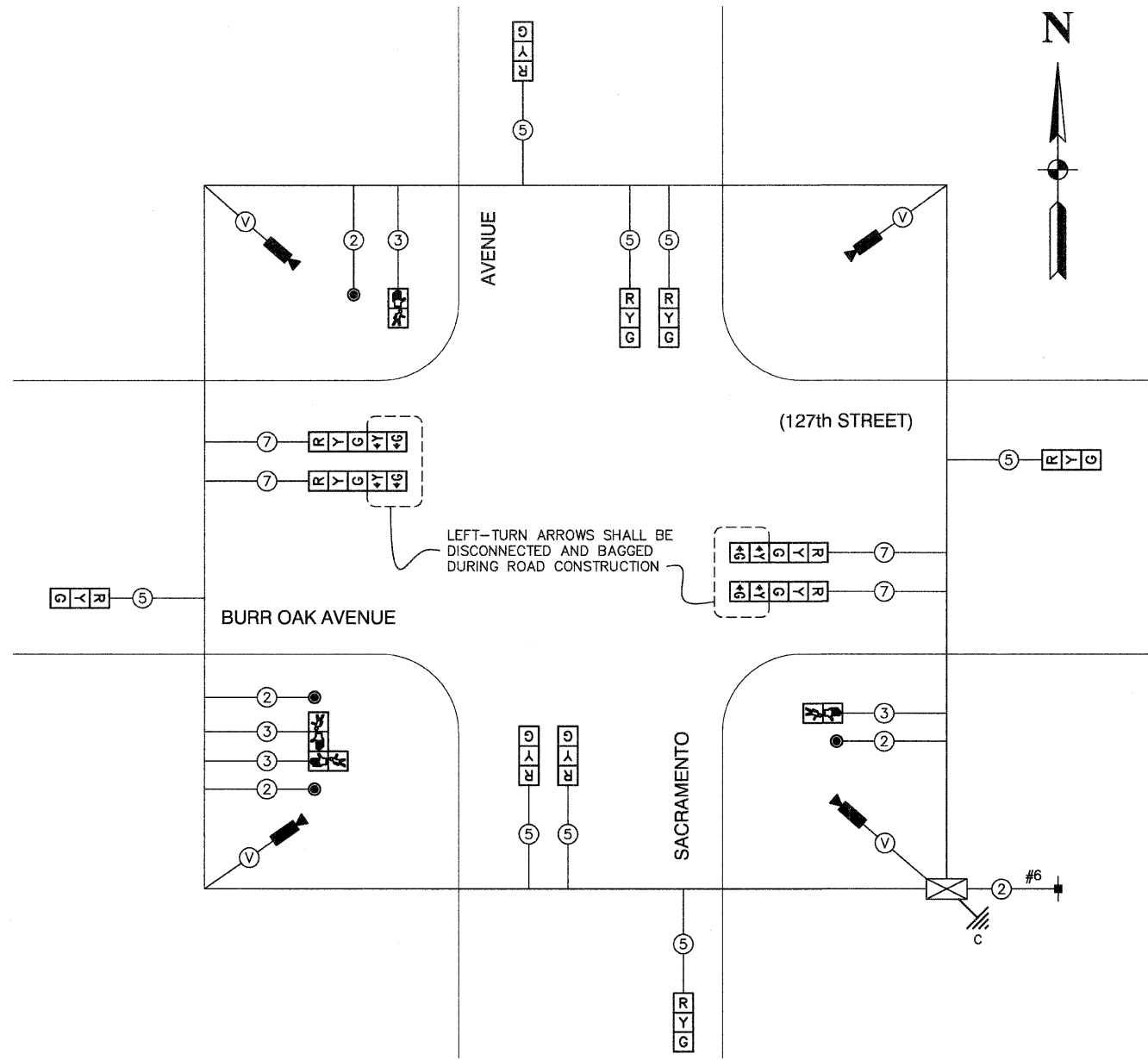


TEMPORARY CONTROLLER SEQUENCE



TEMPORARY PHASE DESIGNATION DIAGRAM

* INTRODUCE LEFT-TURN PHASING UPON COMPLETION OF ALL ROAD AND UTILITY WORK



TEMPORARY CABLE PLAN

CONSTRUCTION NOTES:

- ① LEFT-TURN PHASING SHALL BE INTRODUCED PRIOR TO PERMANENT SIGNAL TURN-ON AND UPON COMPLETION OF ALL ROAD AND UTILITY WORK.

I.D.O.T. TRAFFIC SIGNAL INSTALLATION ELECTRICAL SERVICE REQUIREMENTS						TOTAL WATTAGE
TYPE	NO. LAMPS	WATTAGE		OPERATION		
		INCAND.	LED			
SIGNAL (RED)	12	135	17	0.50		102
(YELLOW)	12	135	25	0.25		75
(GREEN)	12	135	15	0.25		45
ARROW	4	135	12	0.10		
PED. SIGNAL	4	90	25	1.00		100
CONTROLLER	1	100	100	1.00		100
ILLUM. SIGN	—	84		0.05		—
VIDEO SYSTEM	1	150		1.00		150
LIGHTS	—	250		0.25		—
FLASHER				0.50		
ENERGY COSTS TO:						TOTAL = 572
CITY OF BLUE ISLAND						
ENERGY SUPPLY CONTACT: COM-ED BUSINESS DEPARTMENT						
PHONE: 866-639-3532						
COMPANY: COMMONWEALTH EDISON COMPANY						

FILE NAME = 09527-SGNI-CBLE-01 - P01	USER NAME =	DESIGNED — HLG/JRA	REVISED —
		CHECKED — HLG	REVISED —
		DRAWN — JJB	REVISED —
		CHECKED — JRA	REVISED —
	PLOT DATE = 02-22-12		

STATE OF ILLINOIS
DEPARTMENT OF TRANSPORTATION

FAP 0344 (127TH STREET) AT SACRAMENTO AVENUE TEMPORARY TRAFFIC SIGNAL CABLE PLAN		F.A.U. RTE. 0344	SECTION 06-00175-00-TL	COUNTY COOK	TOTAL SHEETS 48	SHEET NO. 29
SCALE: NA	SHEET NO. 29 OF 48 SHEETS	STA.	TO STA.	CONTRACT NO. 63613		
				FED. ROAD DIST. NO. 1	ILLINOIS	FED. AID PROJECT F-0344 (041)