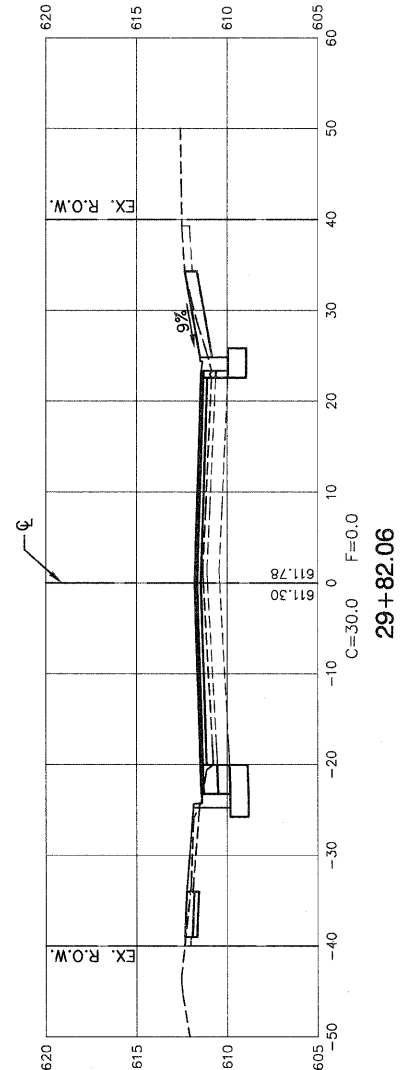
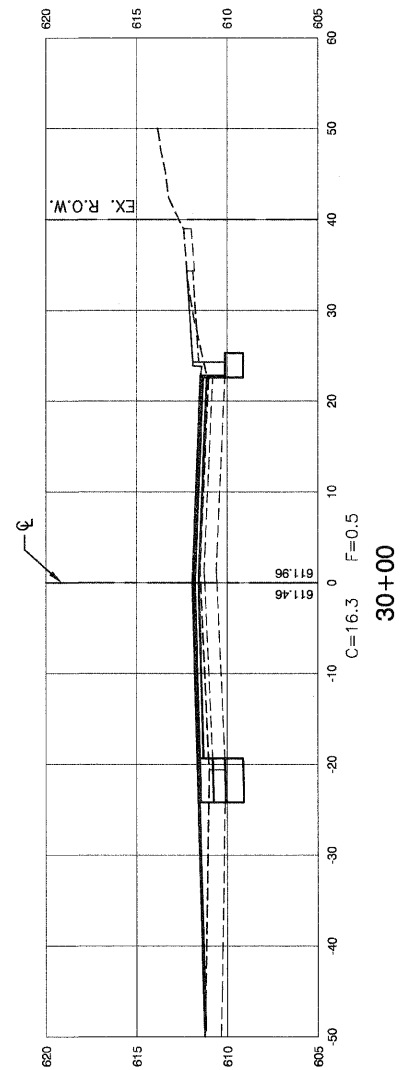
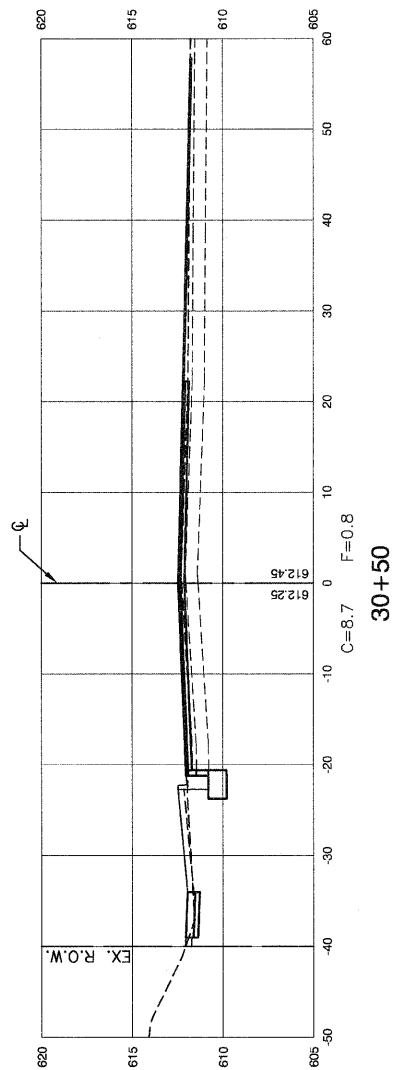


NOTE: EXTEND 18" CMP CULVERT UNDER PROPOSED SIDEWALK @ STA. 30+87, INV EL=609.60



FILE NAME = 0627-XSCT-01 - X06

USER NAME =	DESIGNED -- HLG	REVISED --
	CHECKED -- ###	REVISED --
PLOT SCALE =	DRAWN -- LTL	REVISED --
PLOT DATE = 02-22-12	CHECKED -- AG	REVISED --

STATE OF ILLINOIS  
DEPARTMENT OF TRANSPORTATION

FAP 0344 (127TH STREET)  
AT SACRAMENTO AVENUE  
CROSS SECTIONS

SCALE: H 1"=10' V 1"=5' SHEET NO. 48 OF 48 SHEETS STA. 29+82.06 TO STA. 30+88.72

F.A.U. RTE.	SECTION	COUNTY	TOTAL SHEETS	SHEET NO.
0344	06-00175-00-TL	COOK	48	48
FED. ROAD DIST. NO. 1 ILLINOIS			CONTRACT NO. 63613	
FED. AID PROJECT: F-0344 (041)				