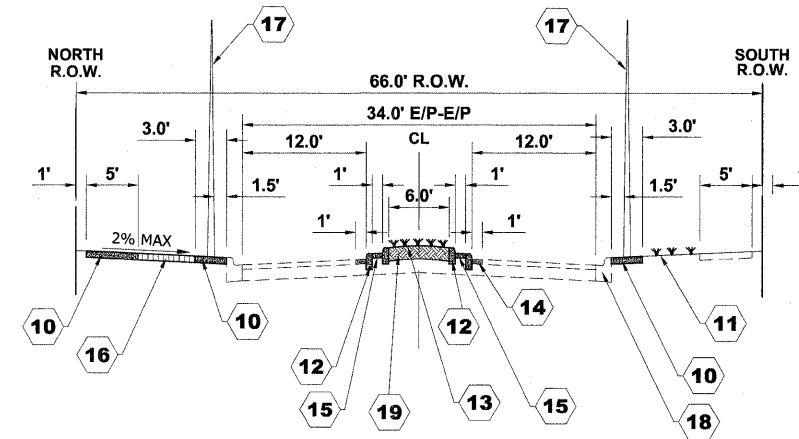


**EXISTING TYPICAL CROSS SECTION
DIVISION STREET**

STATION 1+00 TO STATION 3+70
 STATION 19+07 TO STATION 20+21
 STATION 21+22 TO STATION 22+36
 STATION 32+19 TO STATION 33+31
 STATION 34+42 TO STATION 35+54
 STATION 52+30 TO STATION 53+60



**PROPOSED TYPICAL CROSS SECTION
DIVISION STREET**

STATION 1+00 TO STATION 3+70
 STATION 19+07 TO STATION 20+21
 STATION 21+22 TO STATION 22+36
 STATION 32+19 TO STATION 33+31
 STATION 34+42 TO STATION 35+54
 STATION 52+30 TO STATION 53+60

TYPICAL CROSS SECTION LEGEND

EXISTING CONDITIONS

- 1 PORTLAND CEMENT CONCRETE SIDEWALK, 5"
- 2 COMBINATION CONCRETE CURB AND GUTTER, TYPE B-6.12
- 3 GRASS PARKWAY
- 4 HOT MIX ASPHALT BINDER AND SURFACE COURSE
- 5 HOT-MIX ASPHALT PAVEMENT REMOVAL

PROPOSED CONDITIONS

- 10 PORTLAND CEMENT CONCRETE SIDEWALK, 5" (INTERMITTENT)
- 11 TOPSOIL FURNISH AND PLACE, 6" SODDING, (INTERMITTENT REPLACEMENT)
- 12 CONCRETE CURB, TYPE B
- 13 PLANTED MEDIAN
- 14 INCIDENTAL HOT-MIX ASPHALT SURFACING
- 15 PLANTER CURB
- 16 BRICK PAVER SIDEWALK (INTERMITTENT)
- 17 SUPPORT POLE FOR OVERHEAD LIGHT STRANDS
- 18 COMBINATION CONCRETE CURB AND GUTTER, TYPE B-6.12 (SPECIAL) (INTERMITTENT)
- 19 TOPSOIL FURNISH AND PLACE, VARIABLE DEPTH

HOT-MIX ASPHALT (HMA) MIXTURE REQUIREMENTS

MIXTURE TYPE	AIR VOIDS @ Ndes
INCIDENTAL HOT-MIX ASPHALT SURFACING	
HOT-MIX ASPHALT SURFACE COURSE, MIX "D", N50 (IL 9.5 mm)	4% @ 50 GYR.

THE UNIT WEIGHT USED TO CALCULATE ALL HMA SURFACE MIXTURE QUANTITIES IS 112 LBS/SQ YD/IN.

THE "AC TYPE" FOR POLYMERIZED HMA MIXES SHALL BE "SBS/SBR PG 76-22" AND FOR NON-POLYMERIZED HMA THE "AC TYPE" SHALL BE "PG 64-22" UNLESS MODIFIED BY DISTRICT ONE SPECIAL PROVISIONS. FOR "PERCENT OF RAP" SEE SPECIAL PROVISIONS.

Drawing file: W:\Projects\G0011046 - Division Street ITP\April Letting_02-01-12\DETAILS.dwg Feb 01, 2012 - 9:37am



◆ Civil Engineers
 ◆ Municipal Consultants
 ◆ Established 1911

9933 Roosevelt Road
 Westchester, Illinois 60154-2788
 Phone: 708-965-8998
 Fax: 708-965-1312

DESIGNED - ELS	REVISED -
DRAWN - MK, DMM	REVISED -
CHECKED - ELS	REVISED -
DATE - 02-06-12	REVISED -

**STATE OF ILLINOIS
DEPARTMENT OF TRANSPORTATION**

TYPICAL CROSS SECTIONS

SCALE: NONE SHEET NO. 1 OF 1 SHEETS STA. TO STA.

F.A.U. RTE. 1026	SECTION 10-00116-00-SW	COUNTY COOK	TOTAL SHEETS 40	SHEET NO. 5
FED. ROAD DIST. NO. 1 ILLINOIS			CONTRACT NO. 63654	
FED. AID PROJECT M-TE-00D1(825)				

SEE PROJECT NO. 600-11-04602