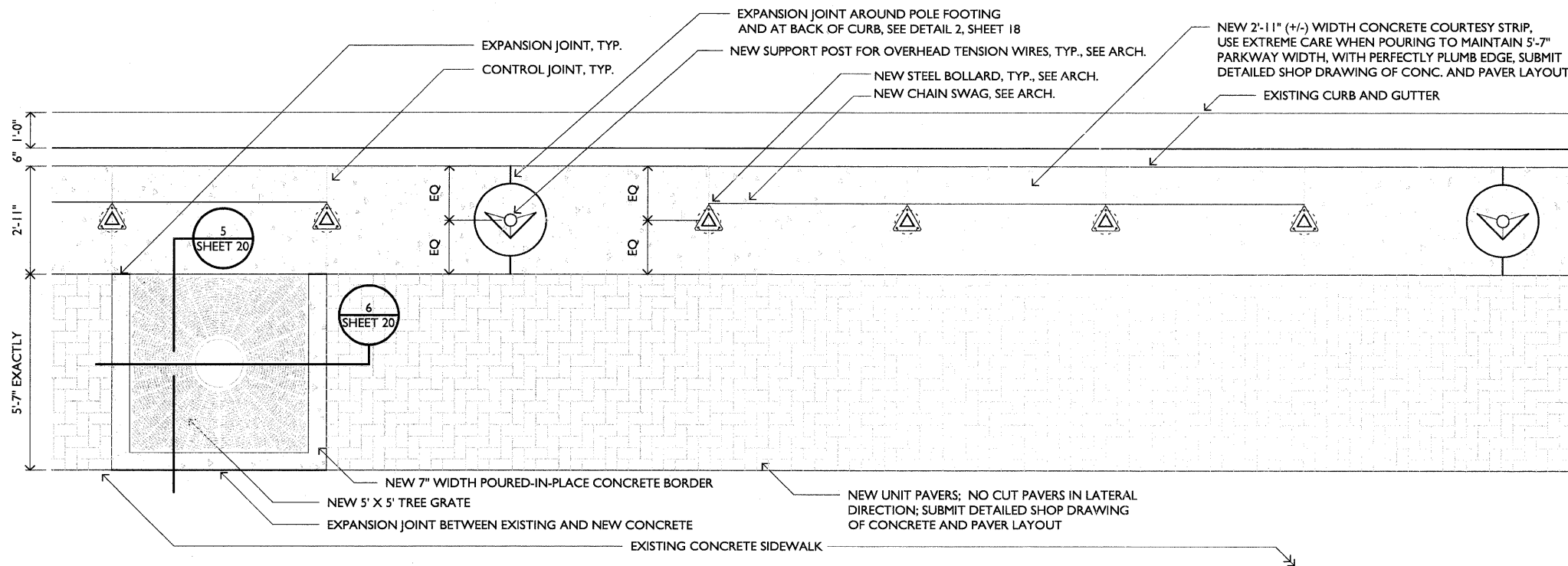


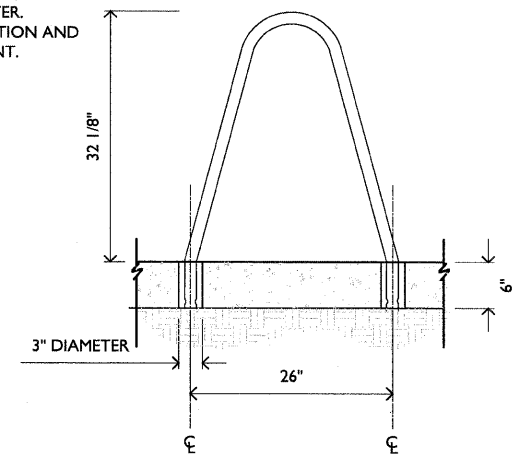
ENLARGED LANDSCAPE PLAN AT 15TH AVENUE RESTAURANT DISTRICT
SCALE: 1/16" = 1'-0"



2 TYPICAL PARTIAL PLAN - NORTHEAST AND SOUTHWEST PARKWAYS AT 15TH AVENUE RESTAURANT DISTRICT
SCALE: 1/2" = 1'-0"

INSTALLATION:

1. CORE DRILL 3" DIAMETER (MINIMUM) HOLE 6" DEEP.
2. PREPARE THE HOLES FOR OUTDOOR ANCHORING CEMENT, SUCH AS KWIXSET OR SUPER POR-ROK. FOLLOW THE MANUFACTURE'S INSTRUCTIONS FOR BLOWING OUT DUST, FILLING WITH WATER, SCRUBBING, AND REMOVING EXCESS WATER.
3. PLACE THE BIKE RACK BACK INTO POSITION AND FILL THE HOLES WITH ANCHORING CEMENT.



3 BIKE RACK INSTALLATION DETAIL
SCALE: 1" = 1'-0"



WOLFF LANDSCAPE ARCHITECTURE
WINDHORST GORSKI ARCHITECTS

DESIGNED --	TGW / PMB	REVISED --	
DRAWN --	PMB	REVISED --	
CHECKED --	TGW	REVISED --	
DATE --	02.06.12	REVISED --	

STATE OF ILLINOIS
DEPARTMENT OF TRANSPORTATION

DIVISION STREET ENLARGED PLANS, 15TH AVE.

SCALE: SHEET NO. 19 OF 40 SHEETS STA. TO STA.

F.A.U. RTE.	SECTION	COUNTY	TOTAL SHEETS	SHEET NO.
1026	10-00116-00-SW	COOK	40	19
CONTRACT NO. 63631			FED. ROAD DIST. NO. 1 ILLINOIS FED. AID PROJ. M-TE-00D1(825)	