

TYPE 316 STAINLESS STEEL CAP, POLISHED ALL SIDES (#8)

PAINTED STEEL, COLOR TBD

S.S. CLEVIS/TURNBUCKLE CONNECTION, TYP.

3/16" 1X19 T316 S.S. CABLE, POLISHED, OIL FREE

ALL S.S. CABLE/CABLE COMPONENTS BY:

Lexco Cable Manufacturing
7320 West Agatite Ave.
Norridge, Illinois 60706
(Or Engineer Approved Equal)

L.E.D. LIGHTING SYSTEM

MODEL: Traxon DO.MA.7014200 - String RGB (Or Engineered Approved Equal)

LIGHT SOURCE: 144 High Intensity Osram SMD Warm LEDs on each string. Total up to 48 Dots on each string.

LUMENS: 4.8lm per dot

LUMINANCE: 450cd/m²

COLOR RESOLUTION: 3x8-bit (RGB) per pixel

VIEWING ANGLE: 120°

COVER LENS: 1.00" Round Globe

L.E.D. PITCH: 36"

HOUSING: Thermoplastic Polyurethane Elastomer

ADJUST. OPTIONS: Flexible cable

SIZE: 0.63"x0.67" (Dot)

SAFETY APPROVAL: ETL

OPERATING TEMP.: -4°F to 122°F

RATING: Outdoor

HUMIDITY: 0 to 90%

OPERATING VOLTAGE: 48V DC

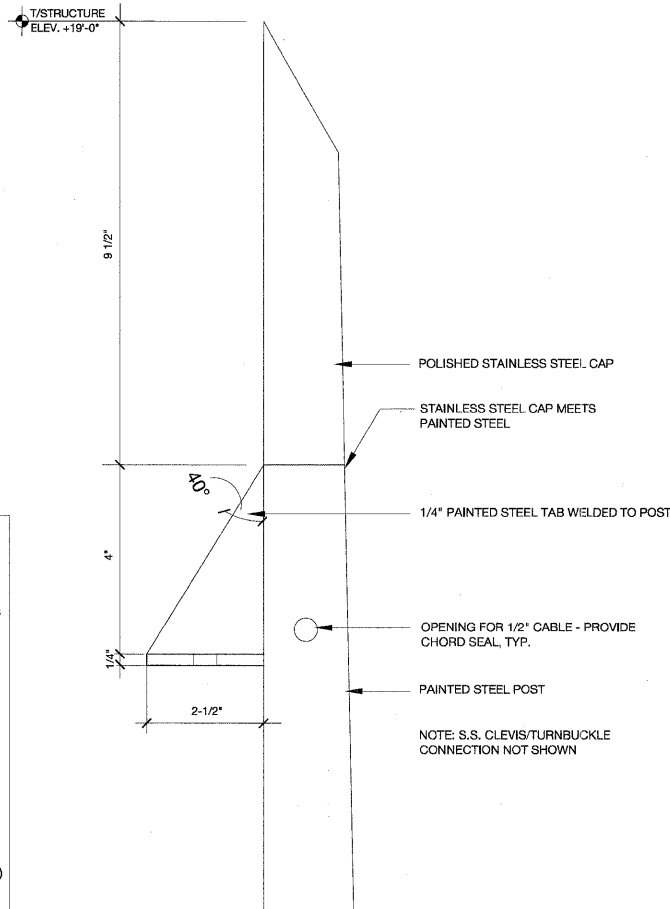
POWER CONSUMPTION: 100W max. (Distributor box and 2 strings)

POWER/DATA INTERFACE: TX CONNECT

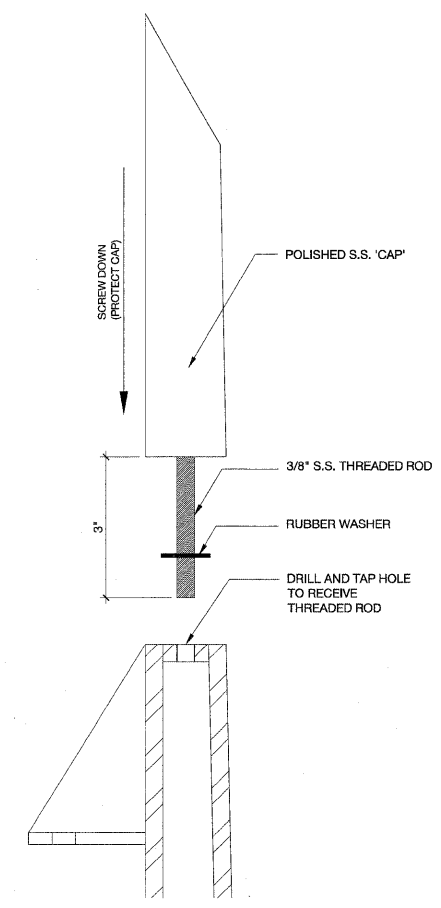
CONTROL: DMX or e.pix

POWER SUPPLY: LED Engine 100W 48V

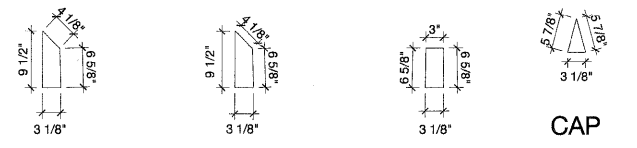
ADDRESSING OPTIONS: Auto-Addressing



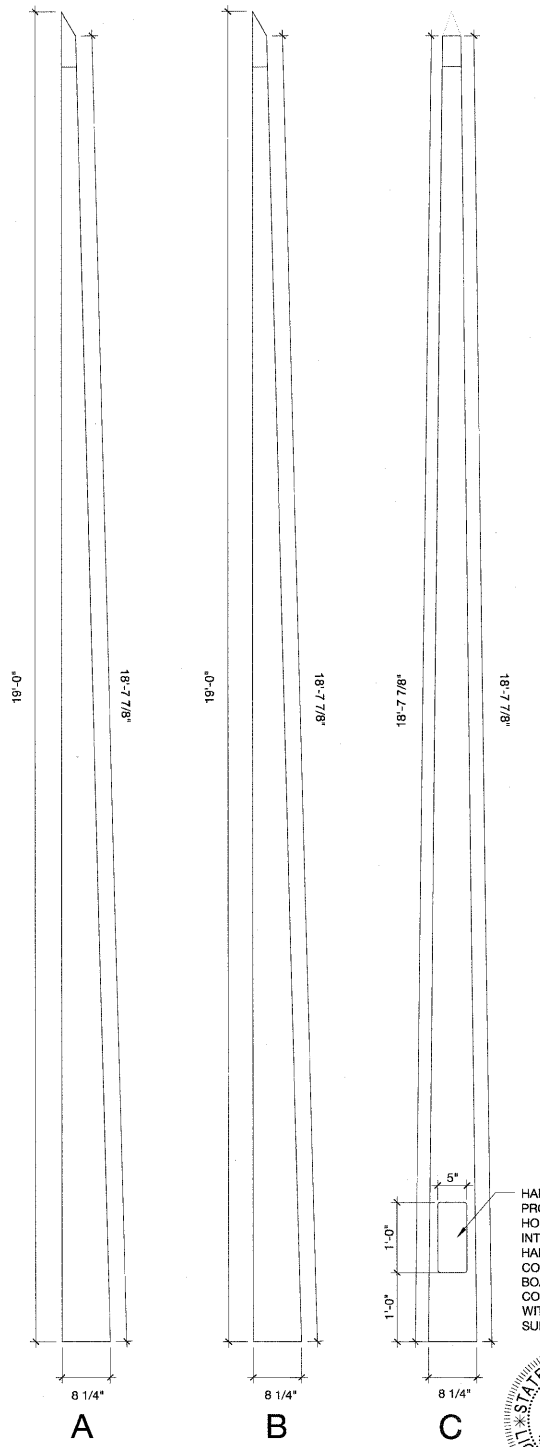
Elevation Detail At A4 Cable Connection
SCALE: 6"=1'-0"



A5 S.S. Cap Detail
SCALE: 6"=1'-0"



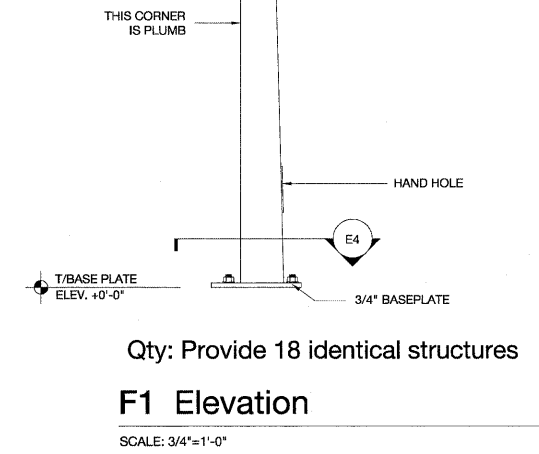
A6 Cap Details
SCALE: 3/4"=1'-0"



F6 Elevations Each Side
SCALE: 3/4"=1'-0"

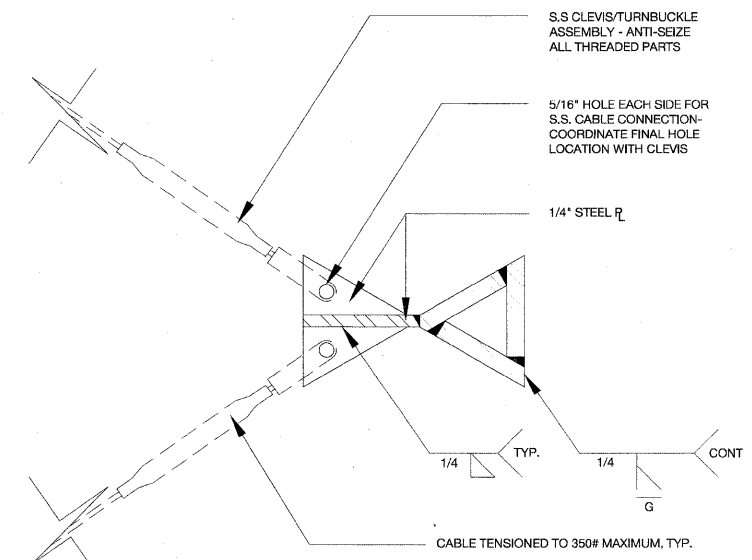


James A. Gorski
11.10.11

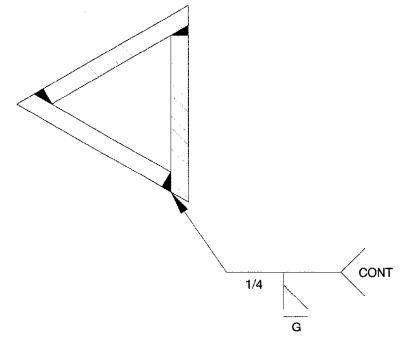


Qty: Provide 18 identical structures

F1 Elevation
SCALE: 3/4"=1'-0"



C4 Section At Wire Connection
SCALE: 6"=1'-0"



D4 Typical Section
SCALE: 6"=1'-0"

Drawing file: C:\Users\Gorski\Family\Desktop_Vrch\Plans-REVISED.dwg Feb 03, 2012 - 12:03pm

HANCOCK ENGINEERING

WOLFF LANDSCAPE ARCHITECTURE
EDWARD WINDHORST JAMES GORSKI ARCHITECTS
GOODFRIEND MAGRUBER STRUCTURE

DESIGNED	EW	REVISED	-
DRAWN	JG	REVISED	-
CHECKED	JG	REVISED	-
DATE	02/06/12	REVISED	-

**STATE OF ILLINOIS
DEPARTMENT OF TRANSPORTATION**

Steel Post for Overhead Decorative Lighting System

SCALE:	SHEET NO. OF SHEETS	STA. TO STA.
--------	---------------------	--------------

F.A.U. RTE.	SECTION	COUNTY	TOTAL SHEETS	SHEET NO.
1026	10-00116-00-SW	COOK	-	21
FED. ROAD DIST. NO. 1 ILLINOIS		CONTRACT NO. ---		
FED. AID PROJECT		---		

EHE PROJECT NO. 600-11-04602