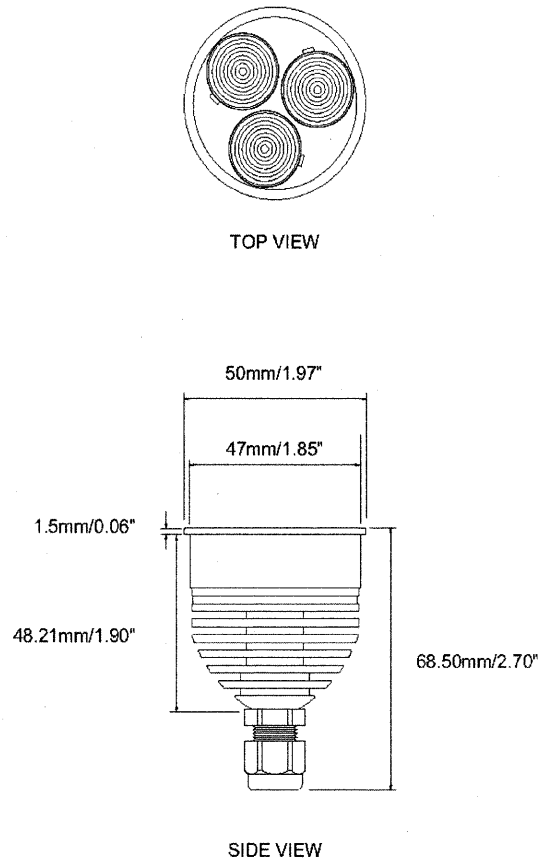


Drawing file: W:\Projects\60011045 - Division Street IEP\April Letting_02-01-12\DETAILS.dwg Feb 01, 2012 - 9:38am



XB SPOT LIGHT

PRODUCT SPECIFICATIONS

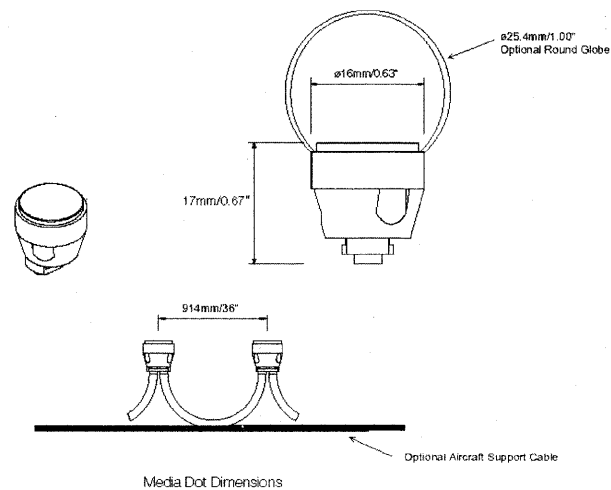
- **Light Source:** 3 High intensity power LEDs
- **Color Range:** 16.7 million additive RGB colors
- **Color Resolution:** 3 x 8-bit continuously variable intensity output range
- **Color Options:** RGB, red, green, blue, amber¹, cold white¹, warm white¹, dynamic white¹
- **Beam Angle:** 6°, 15°, 25°
- **Cover Lens:** None
- **Housing:** Aluminum extrusion
- **Adjustment Options:** MR16 mounting
- **Size:** 68.5mm/2.70" (Height), 50mm/1.97" (Diameter)
- **Weight:** 100g / 0.22lb
- **Regulatory Listing & Safety Approval:** CE
- **Temperature Range:** -20°C to +40°C / -4°F to +104°F (operating K2-700mA)
-20°C to +45°C / -4°F to +113°F (operating 1W/2-350mA)
-20°C to +50°C / -4°F to +122°F (storage)
- **Environment:** Indoor
- **Humidity:** 85%, non-condensing

ELECTRICAL SPECIFICATIONS

- **Constant Current:** 350mA, 700mA DC (depending on LED type)
- **Power Consumption:** 3.4W/3.7W (1W), 3.4W/4.7W (K2-350mA), 7.6W/9W (K2-700mA) typ./max.

SYSTEM SPECIFICATIONS

- **Power/Data Interface:** TX CONNECT XB Indoor
- **Control:** DMX512 or standalone control by preset programs on LED Engine XB-SD
- **Power Supply:** LED Engine XB-SD



MEDIA DOT STRING LIGHT

PRODUCT SPECIFICATIONS

- **Model:** DG-MA-7014200 - String RGB
- **Light Source:** 144 High Intensity Osram SMD Warm White LEDs on each string. Total up to 48 Dots on each string
- **Lumens:** 4.8lm per dot
- **Luminance:** 450cd/m²
- **Color Range:** 16.7 Million additive RGB colors
- **Color Resolution:** 3 x 8-bit (RGB) per pixel
- **Viewing Angle:** 120°
- **Cover Lens:** Optional Plastic Globe
- **LED Pitch:** 314mm / 36"
- **Housing:** Thermoplastic Polyurethane Elastomer
- **Adjustment Options:** Flexible black cable
- **Size:** ∅ 16mm x 17mm (H) / 0.63" x 0.67" (Dot)
- **Weight:** 450g/0.99lbs (per string), 1.5kg/3.3lbs (Distributor Box)
- **Regulatory Listing & Safety Approval:** ETL
- **Operating Temperature:** -20°C to 50°C (-4°F to 122°F)
- **Storage Temperature:** -40°C to 70°C (-40°F to 158°F)
- **Rating:** Outdoor (IP67 rated)
- **Humidity:** 0 to 90%

ELECTRICAL SPECIFICATIONS

- **Operating Voltage:** 48V DC
- **Power Consumption:** 100W max. (Distributor Box and 2 Strings)

SYSTEM SPECIFICATIONS

- **Power/Data Interface:** TX CONNECT
- **Control:** DMX or e-pix
- **Power Supply:** LED Engine 100W 48V
- **Addressing Options:** Auto-Addressing

NOTE:

ALL REFERENCE TO A PARTICULAR MANUFACTURER IS FOR GENERAL PURPOSES AND THAT AN ENGINEER APPROVED EQUAL IS ACCEPTABLE.



◆ Civil Engineers
◆ Municipal Consultants
◆ Established 1911

9933 Roosevelt Road
Westchester, Illinois 60154-2780
Phone: 708.965.4990
Fax: 708.965.1212

DESIGNED -	ELS	REVISED -	
DRAWN -	MK, DMM	REVISED -	
CHECKED -	ELS	REVISED -	
DATE -	02-06-12	REVISED -	

STATE OF ILLINOIS
DEPARTMENT OF TRANSPORTATION

LED LIGHTING DETAILS

SCALE: NONE SHEET NO. 1 OF 1 SHEETS STA. TO STA.

F.A.U. RTE.	SECTION	COUNTY	TOTAL SHEETS	SHEET NO.
1026	10-00116-00-SW	COOK	40	31
CONTRACT NO.				63654
FED. ROAD DIST. NO. 1 ILLINOIS				FED. AID PROJECT M-TE-001(825)
THE PROJECT NO. 600-34-04602				