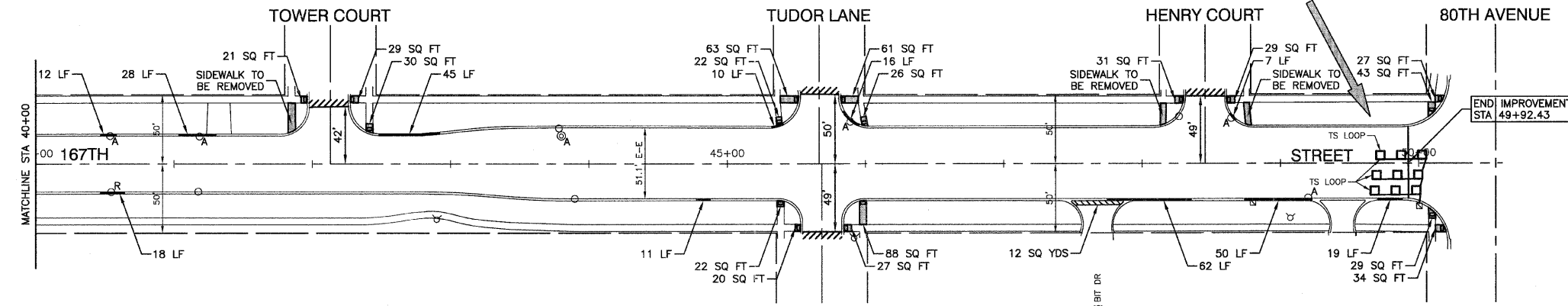
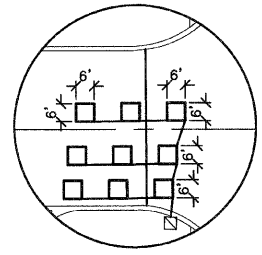
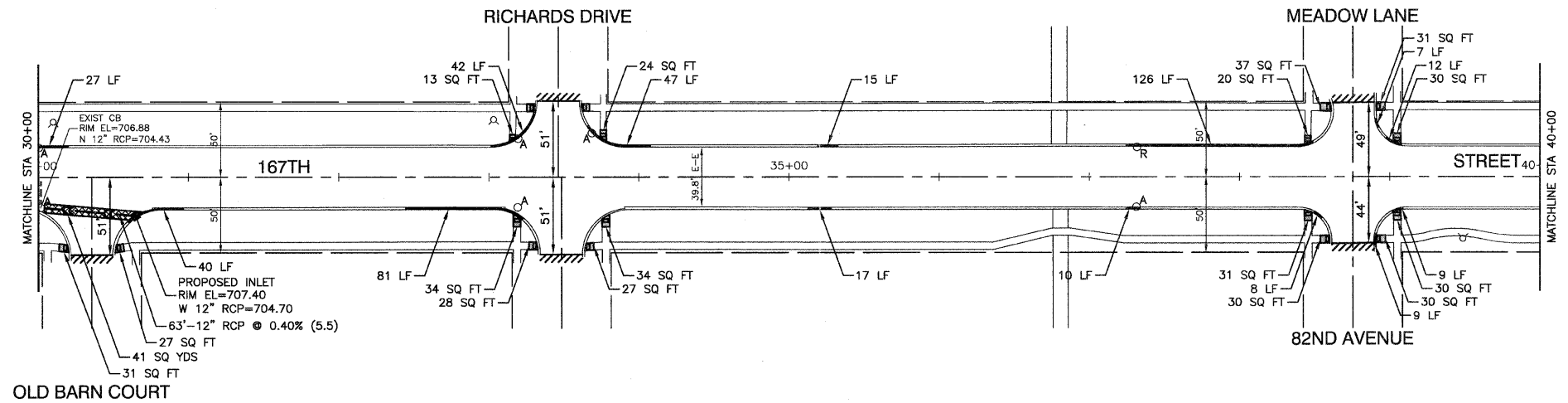
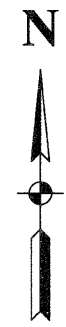


SECTION 23, TOWNSHIP 36, RANGE 12  
SECTION 26, TOWNSHIP 36, RANGE 12



**NOTES:**

1. DETECTABLE WARNINGS ARE TO BE INSTALLED AT LOCATIONS OF SIDEWALK REMOVAL AND REPLACEMENT. CONTRACTOR TO POSITION AND PLACE DETECTABLE WARNINGS AT THE DIRECTION OF THE ENGINEER IN ACCORDANCE WITH ADA REQUIREMENTS AND IDOT STANDARDS.
2. LIMIT OF CONSTRUCTION ON ALL SIDE STREETS IS THE RADIUS RETURN PLUS 10' BUTT JOINT OR ROW AS NOTED.
3. ACCESS TO ALL DRIVEWAYS SHALL BE MAINTAINED UPON COMPLETION OF EACH WORKDAY. RESIDENTS SHALL BE NOTIFIED 24 HOURS IN ADVANCE OF WHEN DRIVEWAY REPLACEMENT WILL TAKE PLACE.
4. ADDITIONAL PATCHING MAY BE PERFORMED AT THE INSTRUCTION OF THE ENGINEER.

**LEGEND**

- CLASS D PATCH
- HMA DRIVEWAY REMOVAL AND REPLACEMENT
- CONCRETE DRIVEWAY REMOVAL AND REPLACEMENT
- CONCRETE SIDEWALK REMOVAL AND REPLACEMENT
- BUTT JOINTS
- CURB REMOVAL AND REPLACEMENT
- "A" STRUCTURE TO BE ADJUSTED
- "R" STRUCTURE TO BE RECONSTRUCTED
- DETECTOR LOOP TO BE REPLACED

FILE NAME = 11553-PLAN-01 - P02

USER NAME =	DESIGNED — JPH	REVISED —
	CHECKED — PKB	REVISED —
PLOT SCALE =	DRAWN — RG	REVISED —
PLOT DATE = 1-31-12	CHECKED — AG	REVISED —

STATE OF ILLINOIS  
DEPARTMENT OF TRANSPORTATION

167TH STREET  
ROADWAY RESURFACING  
PROPOSED PLAN  
SCALE: 1"=50' SHEET NO. 5 OF 14 SHEETS STA. 30+00 TO STA. 49+92.43

F.A.U. RTE.	SECTION	COUNTY	TOTAL SHEETS	SHEET NO.
1609	11-00112-00-RS	COOK	14	5
CONTRACT NO. 63681				
FED. ROAD DIST. NO. 1 ILLINOIS FED. AID PROJECT M-9003 (918)				

LAST 5' DRAWN BY: PROJECTIONS 11/12/12  
CHECKED BY: JPH/AG/11/12/12