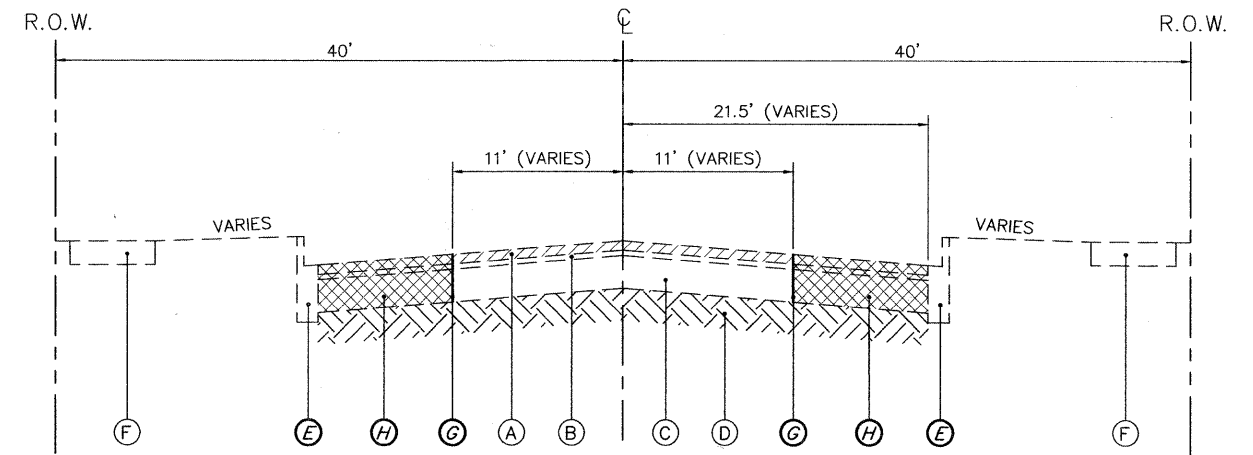


# SUMMARY OF QUANTITIES

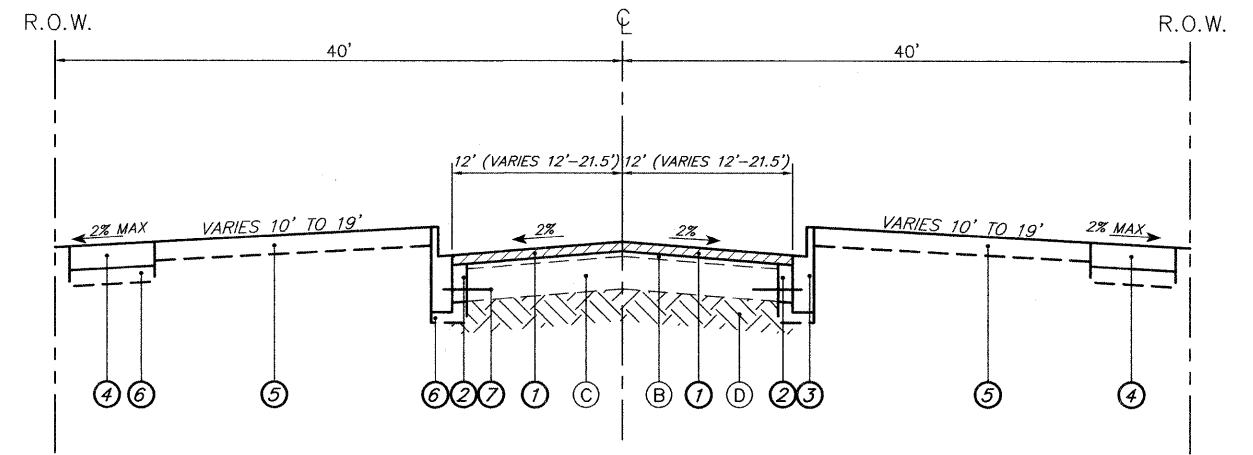
Code #	Item	Unit	Quantity	Code #	Item	Unit	Quantity
20200100	EARTH EXCAVATION	CU YD	45	70102620	TRAFFIC CONTROL AND PROTECTION, STANDARD 701501	L SUM	1
20800150	TRENCH BACKFILL	CU YD	11	70102625	TRAFFIC CONTROL AND PROTECTION, STANDARD 701606	L SUM	1
28000500	INLET AND PIPE PROTECTION	EACH	16	70102630	TRAFFIC CONTROL AND PROTECTION, STANDARD 701601	L SUM	1
35101600	AGGREGATE BASE COURSE, TYPE B, 4"	SQ YD	310	70102632	TRAFFIC CONTROL AND PROTECTION, STANDARD 701602	L SUM	1
35300500	PORTLAND CEMENT CONCRETE BASE COURSE, 10"	SQ YD	125	70102635	TRAFFIC CONTROL AND PROTECTION, STANDARD 701701	L SUM	1
40600100	BITUMINOUS MATERIALS (PRIME COAT)	GALLON	65	70102640	TRAFFIC CONTROL AND PROTECTION, STANDARD 701801	L SUM	1
40603335	HOT-MIX ASPHALT SURFACE COURSE, MX "D", N50	TON	95	* 72000100	SIGN PANEL - TYPE 1	SQ FT	150
42400200	PORTLAND CEMENT CONCRETE SIDEWALK 5"	SQ FT	5,300	72400100	REMOVE SIGN PANEL ASSEMBLY - TYPE A	EACH	10
42400800	DETECTABLE WARNINGS	SQ FT	400	72400200	REMOVE SIGN PANEL ASSEMBLY - TYPE B	EACH	5
44000100	PAVEMENT REMOVAL	SQ YD	400	72400310	REMOVE SIGN PANEL - TYPE 1	SQ FT	150
44000157	HOT-MIX ASPHALT SURFACE REMOVAL, 2"	SQ YD	775	* 72900100	METAL POST - TYPE A	FOOT	100
44000200	DRIVEWAY PAVEMENT REMOVAL	SQ YD	22	* 72900200	METAL POST - TYPE B	FOOT	50
44000500	COMBINATION CURB AND GUTTER REMOVAL	FOOT	890	* 78000100	THERMOPLASTIC PAVEMENT MARKING - LETTERS AND SYMBOLS	SQ FT	415
44000600	SIDEWALK REMOVAL	SQ FT	5,150	* 78000200	THERMOPLASTIC PAVEMENT MARKING - LINE 4"	FOOT	1,000
44213204	TIE BARS 3/4"	EACH	540	* 78000600	THERMOPLASTIC PAVEMENT MARKING - LINE 12"	FOOT	1,800
55082500	STORM SEWERS, RUBBER GASKET, CLASS B, TYPE 2 8"	FOOT	20	* 78000650	THERMOPLASTIC PAVEMENT MARKING - LINE 24"	FOOT	475
55100300	STORM SEWER REMOVAL 8"	FOOT	10	78300100	PAVEMENT MARKING REMOVAL	SQ FT	2,000
60200105	CATCH BASIN, TYPE A, 4' DIAMETER, TYPE 1 FRAME, OPEN LID	EACH	4	* 84200600	REMOVAL OF LIGHTING UNIT, NO SALVAGE	EACH	1
60234200	INLETS, TYPE A, TYPE 1 FRAME, OPEN LID	EACH	5	* 84200804	REMOVAL OF POLE FOUNDATION	EACH	1
60250200	CATCH BASINS TO BE ADJUSTED	EACH	2	X0325225	BRICK PAVEMENT REMOVAL AND REPLACEMENT	SQ FT	115
60285700	VALVE VAULTS TO BE ADJUSTED	EACH	5	X2110104	TOPSOIL AND SOD FURNISH AND PLACE, 4" (SPECIAL)	SQ YD	350
60500050	REMOVING CATCH BASINS	EACH	7	X4240430	PORTLAND CEMENT CONCRETE SIDEWALK 5 INCH, (SPECIAL)	SQ FT	380
60500060	REMOVING INLETS	EACH	1	* X7200105	SIGN PANEL - TYPE 1 (SPECIAL)	SQ FT	38
60603800	COMBINATION CONCRETE CURB AND GUTTER, TYPE B-6.12	FOOT	1,225	Z0004510	HOT-MIX ASPHALT DRIVEWAY PAVEMENT, 3"	SQ YD	40
67100100	MOBILIZATION	L SUM	1				

\* SPECIALTY ITEMS



**EXISTING TYPICAL CROSS SECTION**

PRATT AVENUE



**PROPOSED TYPICAL CROSS SECTION**

PRATT AVENUE  
BUMPOUT LOCATION

**EXISTING LEGEND**

- (A) HMA SURFACE REMOVAL, 2"
- (B) EXISTING HMA PAVEMENT 2" & VARIES
- (C) EXISTING PCC PAVEMENT 8" & VARIES
- (D) EXISTING SUBGRADE
- (E) EXISTING B6.12 CC&G REMOVAL
- (F) EXISTING SIDEWALK
- (G) PROPOSED FULL DEPTH SAWCUT
- (H) FULL DEPTH PAVEMENT REMOVAL

**PROPOSED LEGEND**

- (1) HOT-MIX ASPHALT SURFACE COURSE, 2"
- (2) PCC BASE COURSE, 10"
- (3) COMBINATION CONCRETE CURB & GUTTER, B6.12
- (4) PORTLAND CEMENT CONCRETE SIDEWALK, 5"
- (5) TOPSOIL AND SOD RESTORATION
- (6) AGGREGATE BASE COURSE, 4"
- (7) NO. 6 EPOXY COATED TIE BAR