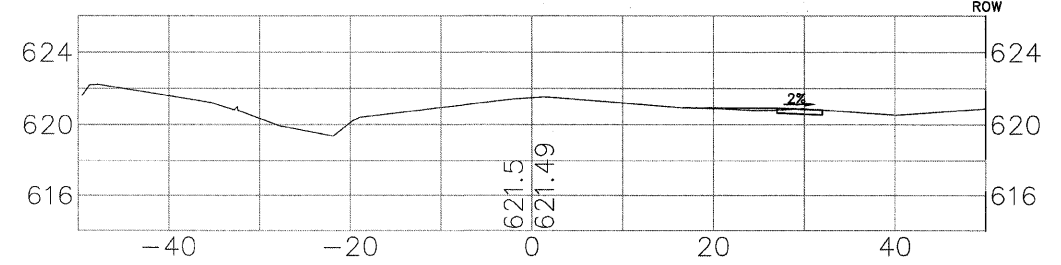
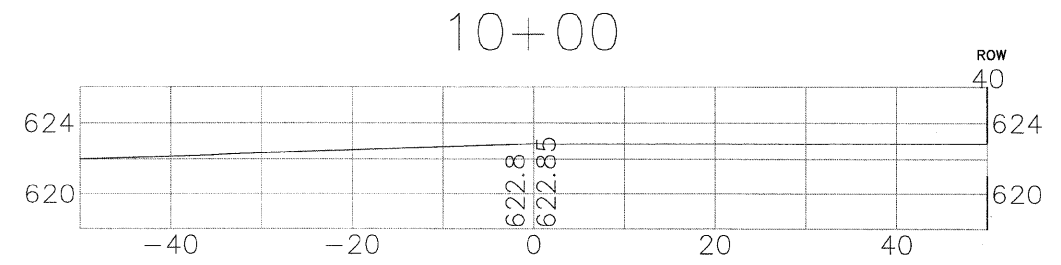
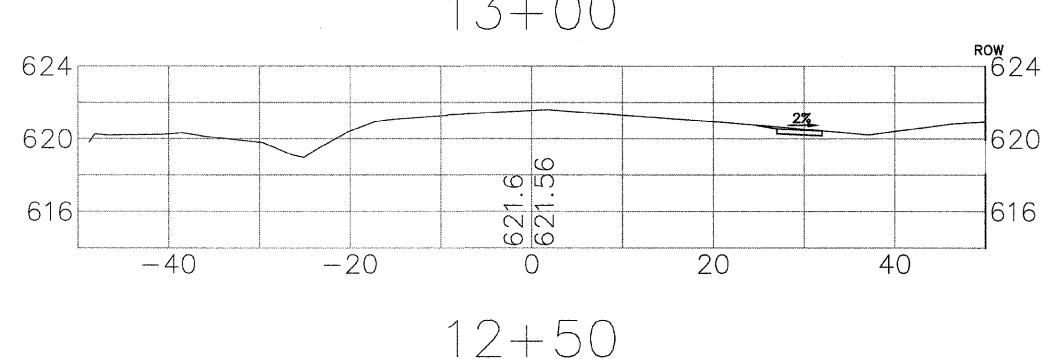
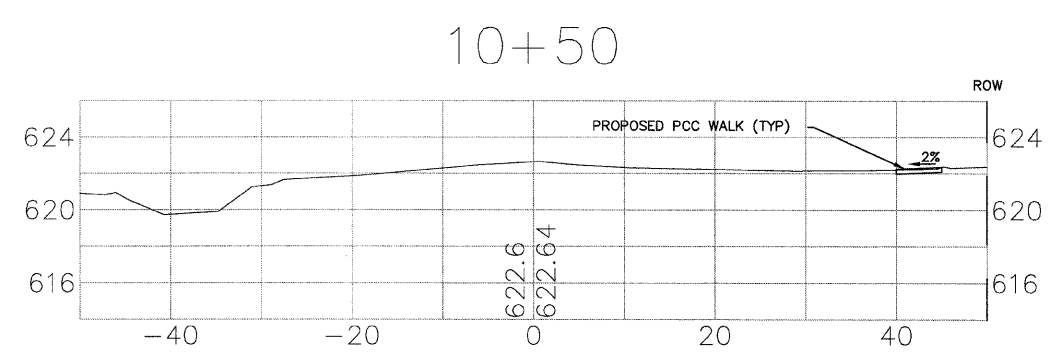
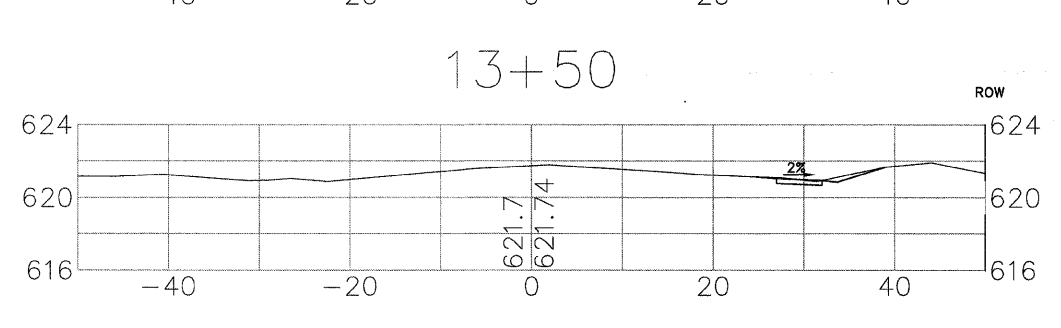
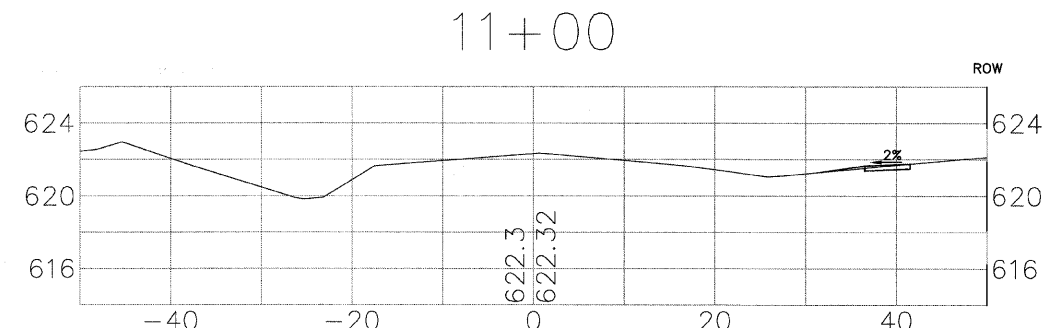
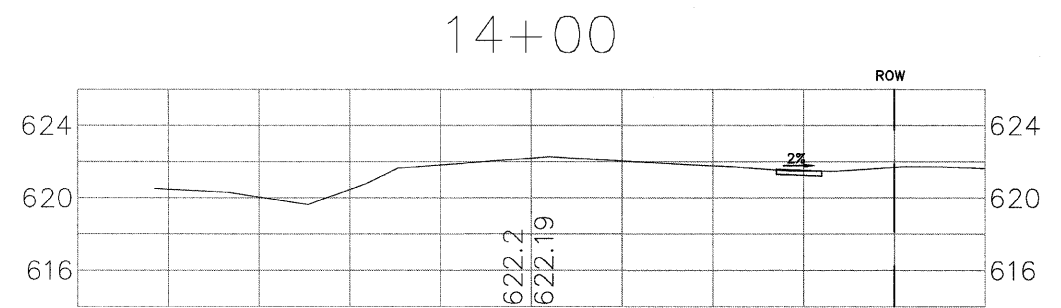
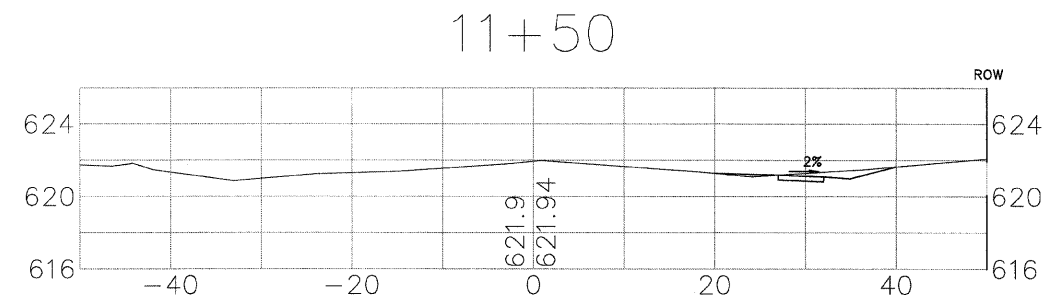
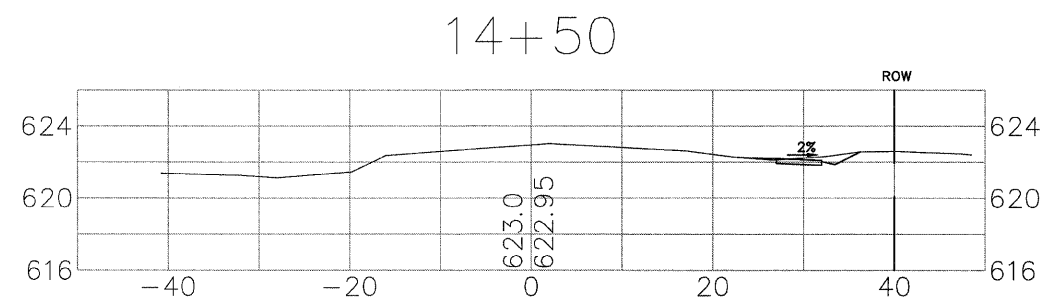
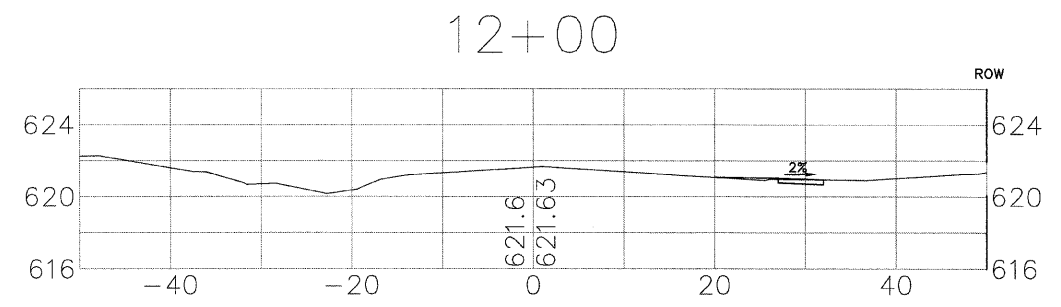


NOTE: PROPOSED SIDEWALK WILL MATCH EXISTING ELEVATIONS OF GROUND; TYPICAL CUT AT EACH CROSS-SECTION = 3.75 SQUARE FEET; TYPICAL FILL AT EACH CROSS-SECTION IS MINIMAL.



STA. 10+31 TO STA. 26+06 (GERMAN CHURCH ROAD)  
 STA. 10+19 TO STA. 18+32 (SCHOOL STREET)  
 STA. 11+19 TO STA. 17+00 (WOLF ROAD)

DRAWN BY: JMH  
 CHECKED BY: JCH  
 DATE: 04/27/11  
 REVISED: 01.10.12

REVISED: \_\_\_\_\_  
 REVISED: \_\_\_\_\_  
 REVISED: \_\_\_\_\_  
 REVISED: \_\_\_\_\_

STATE OF ILLINOIS  
 DEPARTMENT OF TRANSPORTATION

GERMAN CHURCH ROAD  
 CROSS-SECTIONS

SCALE: H:1"=10' V:1"=5' SHEET No. 13 OF 20 SHEETS

FAU RTE	SECTION	COUNTY	TOTAL SHEETS	SHEET NO.
1552 (G.C.)	11-00032-00-SW	COOK	20	13
CONTRACT No. 63688				
FED. ROAD DIST. NO.	ILLINOIS	FED. AID PROJECT		

P:\Projects\111818\111818.dwg, 11/18/11, 11:11:11 AM, JMH

P&E - 003 Rev 10-810