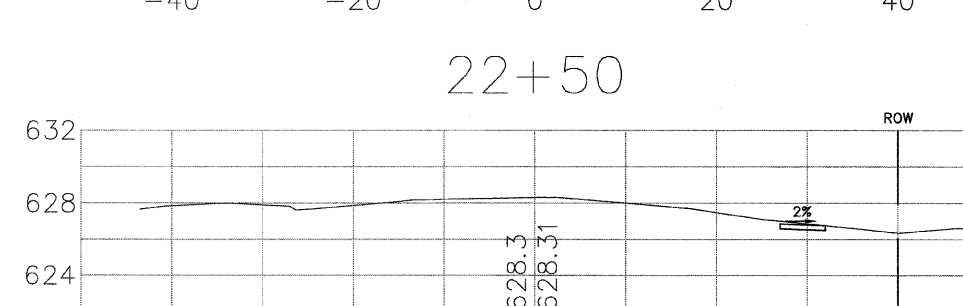
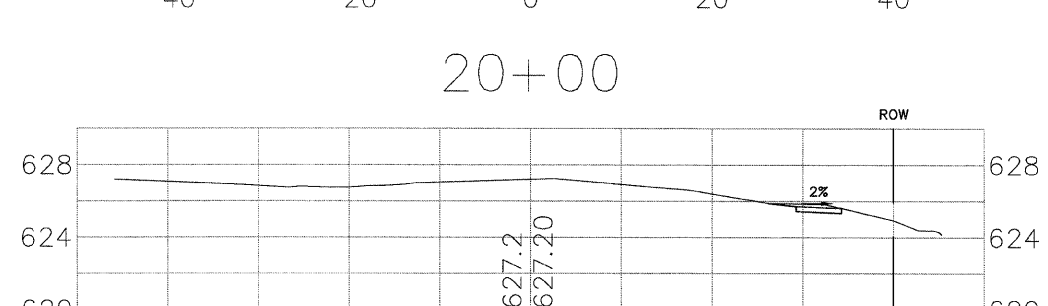
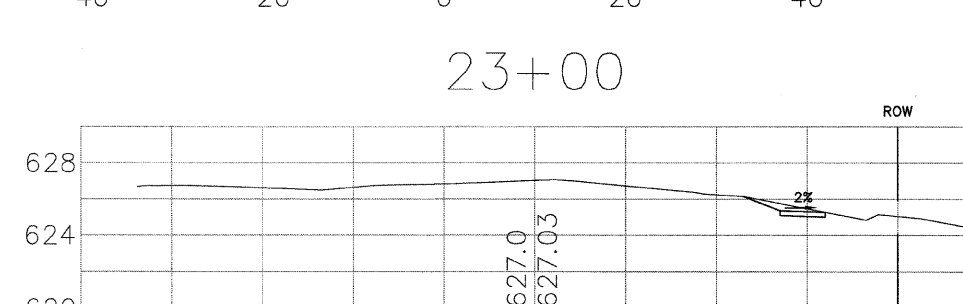
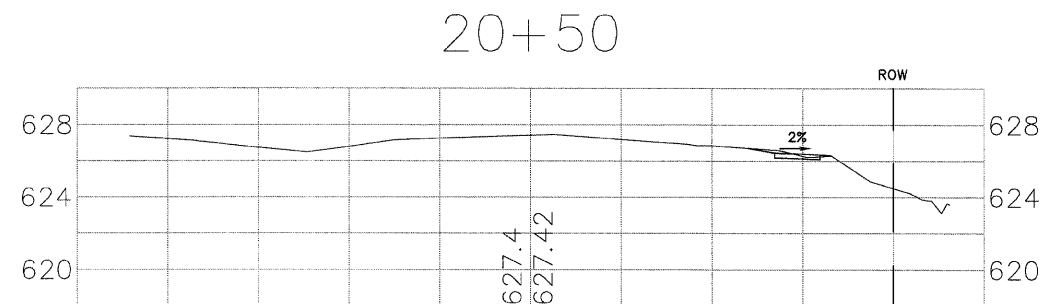
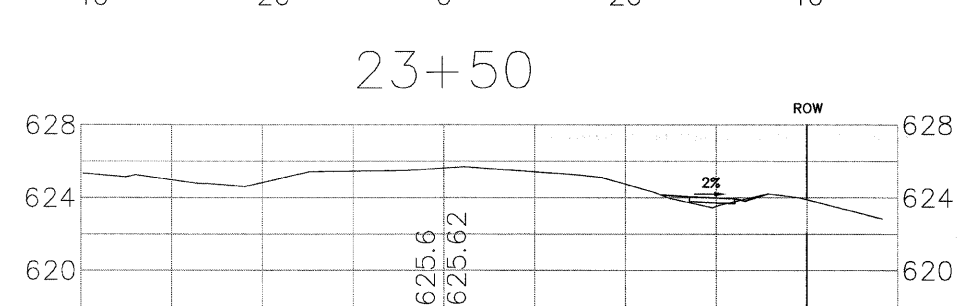
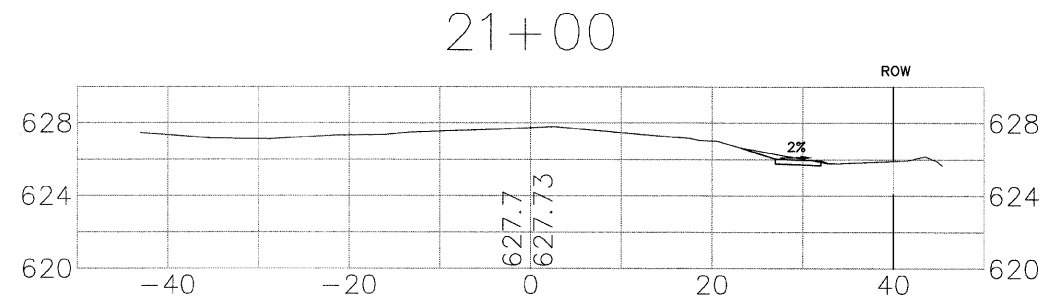
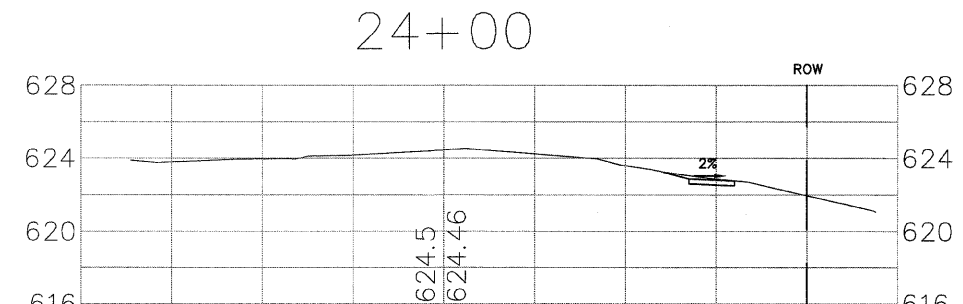
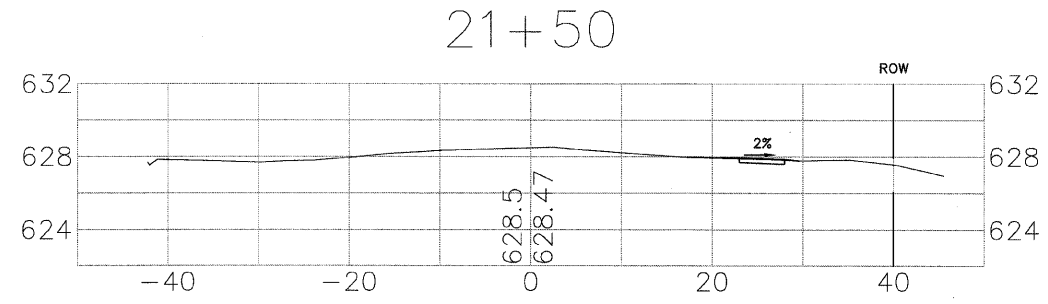
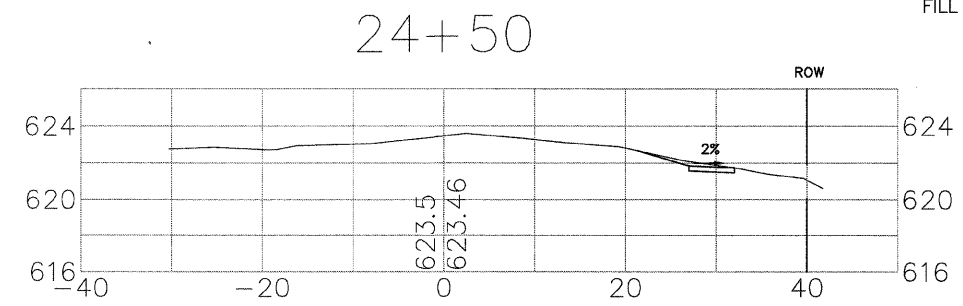
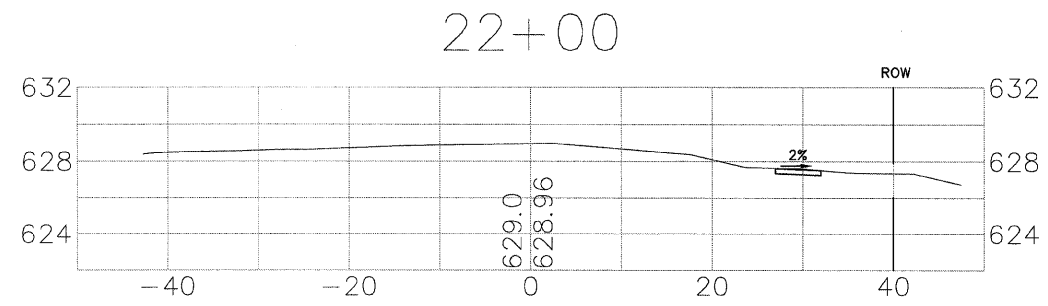


NOTE: PROPOSED SIDEWALK WILL MATCH EXISTING ELEVATIONS OF GROUND; TYPICAL CUT AT EACH CROSS-SECTION = 3.75 SQUARE FEET; TYPICAL FILL AT EACH CROSS-SECTION IS MINIMAL.



STA. 10+31 TO STA. 26+06 (GERMAN CHURCH ROAD)
 STA. 10+19 TO STA. 18+32 (SCHOOL STREET)
 STA. 11+19 TO STA. 17+00 (WOLF ROAD)

DRAWN BY: JMH
 CHECKED BY: JCH
 DATE: 04/27/11
 REVISED: 01.10.12

REVISED: _____
 REVISED: _____
 REVISED: _____
 REVISED: _____

STATE OF ILLINOIS
 DEPARTMENT OF TRANSPORTATION

GERMAN CHURCH ROAD
 CROSS-SECTIONS

SCALE: H:1"=10' V:1"=5' SHEET No. 15 OF 20 SHEETS

FAU RTE	SECTION	COUNTY	TOTAL SHEETS	SHEET NO.
1552 (G.C.)	11-00032-00-SW	COOK	20	15
CONTRACT No. 63688				
FED. ROAD DIST. NO.	ILLINOIS	FED. AID PROJECT		

11/10/11 10:10 AM

11/10/11 10:10 AM