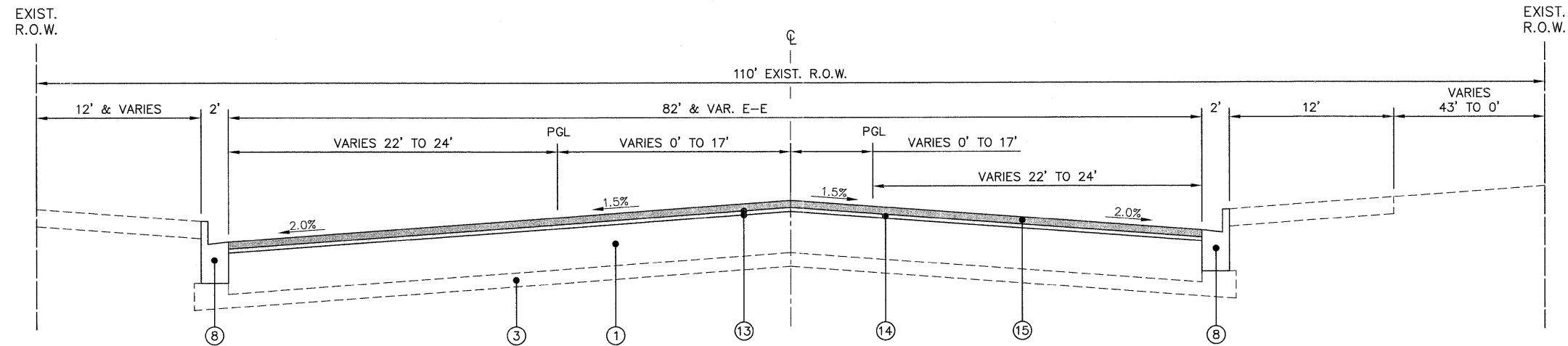


EXISTING TYPICAL SECTION
STA 74+27 TO STA 76+87, KIMBALL STREET
 N.T.S.



PROPOSED TYPICAL SECTION
STA 74+27 TO STA 76+87, KIMBALL STREET
 N.T.S.

LEGEND

- | | |
|---|--|
| ① EXISTING 16" ASPHALT PAVEMENT | ⑨ SIDEWALK REMOVAL AND PCC SIDEWALK, 5" (AT VARIOUS LOCATIONS) |
| ② EXISTING 7" PORTLAND CEMENT CONCRETE BASE | ⑩ HOT-MIX ASPHALT SURFACE REMOVAL (DECK) |
| ③ EXISTING 4" SUB-BASE GRANULAR MATERIAL, TYPE B | ⑪ WATERPROOFING MEMBRANE SYSTEM |
| ④ EXISTING B-6.18 COMBINATION CONCRETE CURB AND GUTTER | ⑫ HOT-MIX ASPHALT SURFACE REMOVAL, 2.75" |
| ⑤ EXISTING PORTLAND CEMENT CONCRETE SIDEWALK, 5" OR BRICK PAVER | ⑬ BITUMINOUS MATERIALS (PRIME COAT) AND AGGREGATE (PRIME COAT) |
| ⑥ EXISTING 21"x48" PPC DECK BEAMS | ⑭ POLYMERIZED LEVELING BINDER (MACHINE METHOD), IL-4.75, N50, 1" |
| ⑦ EXISTING 2" ASPHALT WEARING SURFACE | ⑮ HOT-MIX ASPHALT SURFACE COURSE, MIX "D", N70, 1.75" |
| ⑧ COMBINATION CONCRETE CURB AND GUTTER REMOVAL AND REPLACEMENT (AT VARIOUS LOCATIONS) | ⑯ BRIDGE DECK WEARING SURFACE |

Plotted: January 19, 2012 @ 4:11 PM By: Josh Beaman - Tab: 06 Section - 22x34

COPYRIGHT © 2012 ENGINEERING ENTERPRISES, INC.

| | | |
|--------------|------------|-----------|
| USER NAME = | DESIGNED - | REVISED - |
| | DRAWN - | REVISED - |
| PLOT SCALE = | CHECKED - | REVISED - |
| PLOT DATE = | DATE - | REVISED - |

STATE OF ILLINOIS
DEPARTMENT OF TRANSPORTATION

TYPICAL SECTIONS

SCALE: NONE SHEET NO. 3 OF 4 SHEETS STA. N/A TO STA. N/A

| | | | | |
|---|----------------|--------|--------------|-----------|
| F.A.U. RTE. | SECTION | COUNTY | TOTAL SHEETS | SHEET NO. |
| 1314 | 11-00182-00-RS | KANE | 25 | 6 |
| CONTRACT NO. 63689 | | | | |
| FED. ROAD DIST. NO. 1 ILLINOIS FED. AID PROJECT NO. M-9003(847) | | | | |

P:\CH\1314\PROJ\EGT005\DWG\FINAL_ENG\EGT005-CVR