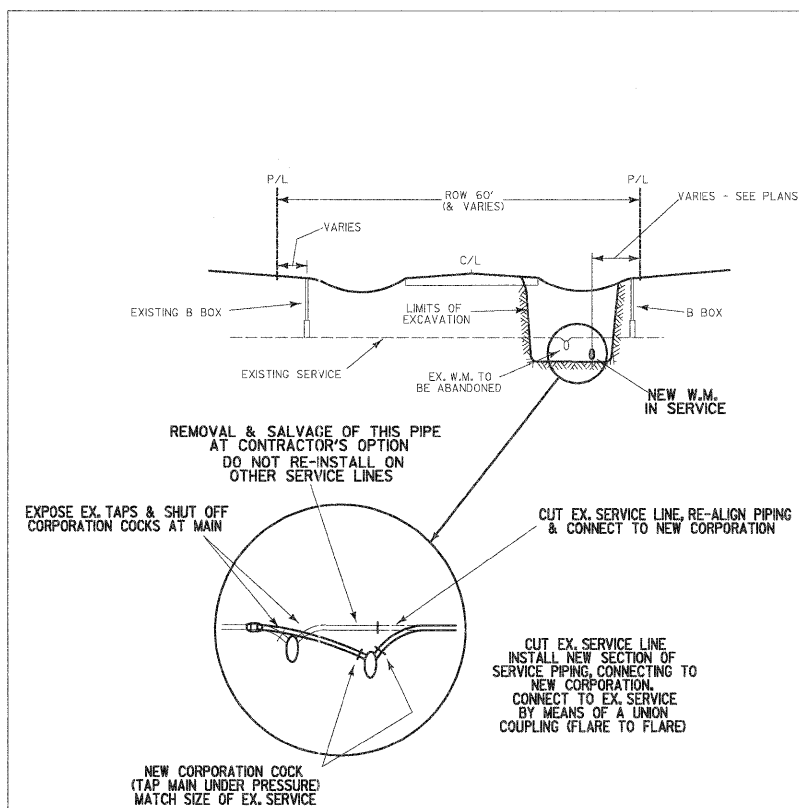


NOTES: EXACT LOCATION OF ROOT PRUNING TO BE AS SPECIFIED BY ENGINEER OR APPOINTED REPRESENTATIVE OF PARKS DEPARTMENT.
 BACKFILL ROOT PRUNING TRENCH IMMEDIATELY FOLLOWING COMPLETION OF PRUNING ACTIVITIES. COVER TRENCH WITH MINIMUM 3" MULCH.
 ROOT PRUNING ACTIVITIES AND THE PLACEMENT OF PROTECTIVE FENCING SHALL BE COORDINATED SO THAT BOTH SHALL BE COMPLETED AT EACH LOCATION WITHIN A 48 HOUR PERIOD.
 UNDER NO CIRCUMSTANCES SHALL CONSTRUCTION PROCEED PRIOR TO THE COMPLETION OF ROOT PRUNING AND THE PLACEMENT OF PROTECTIVE FENCING NOR SHALL FENCING BE REMOVED WITHOUT PRIOR AUTHORIZATION FROM THE ENGINEER OR PARKS DEPT. REPRESENTATIVE.

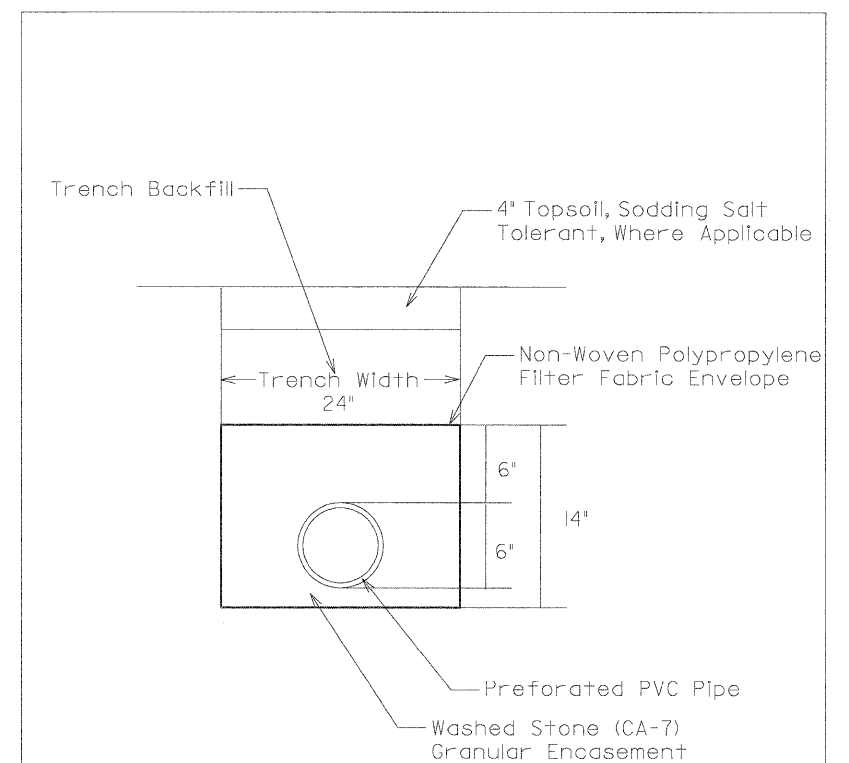
TREE AND BUSH ROOT PRUNING

ENGINEERING DIVISION CELL LIBRARY DTL53.CEL CELL NAME DTL025
 VILLAGE OF LIBERTYVILLE STANDARD NO. 025



SERVICE RE-CONNECTIONS

ENGINEERING DIVISION CELL LIBRARY DTL54.CEL CELL NAME DTL036
 VILLAGE OF LIBERTYVILLE STANDARD NO. 036



PIPE UNDERDRAINS, FABRIC LINED TRENCH

STANDARD NO. 048