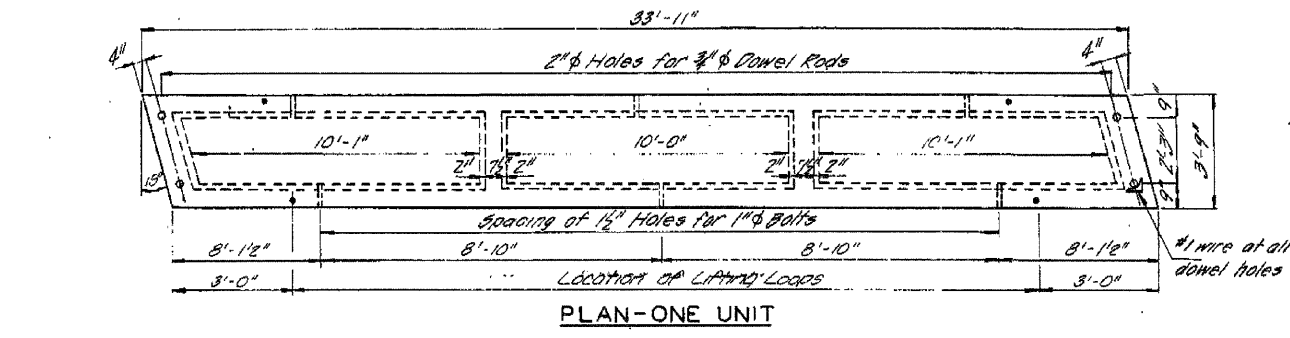
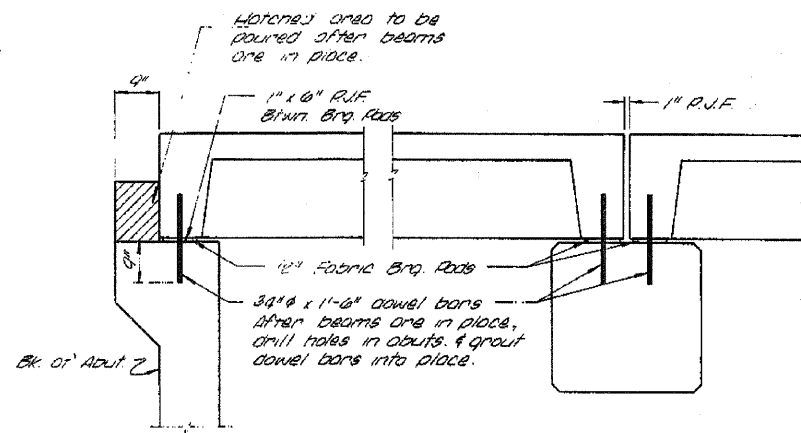
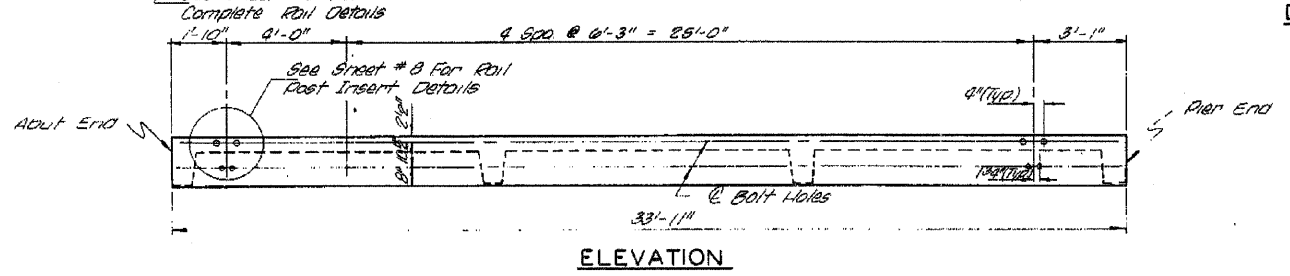
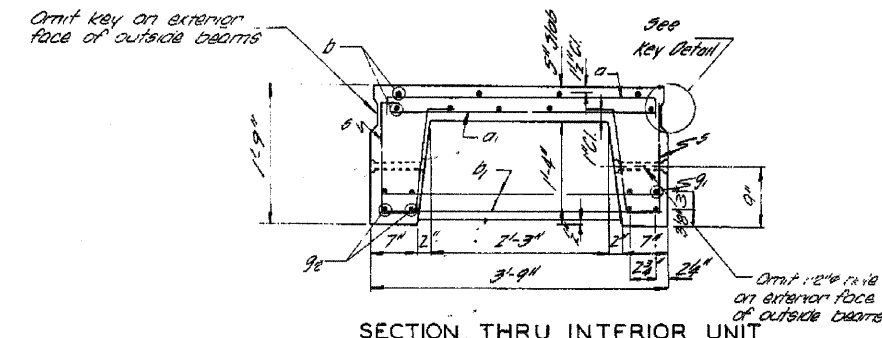
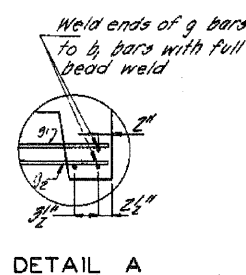
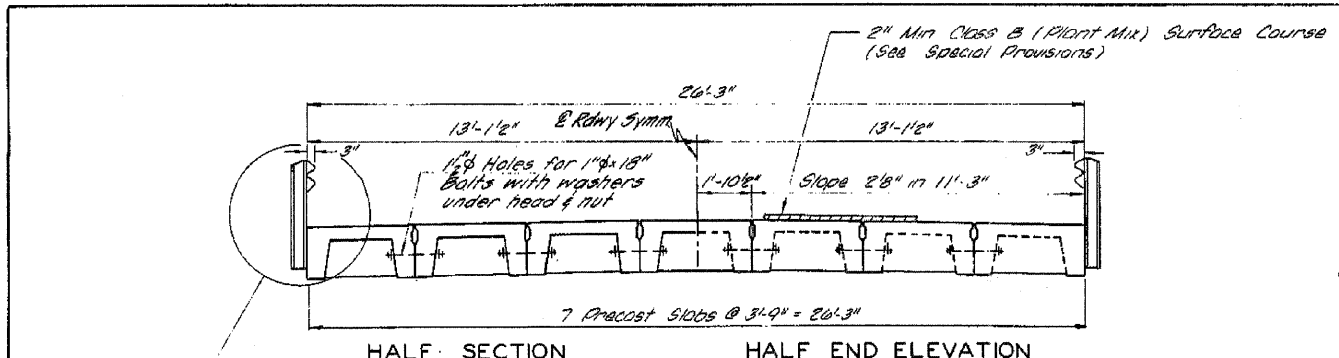


ROUTE NO.	TR.	COUNTY	TOTAL SHEETS	SHEET NO.
118-1	TR	KANE	10	7
ROAD DIST. BIG ROCK				



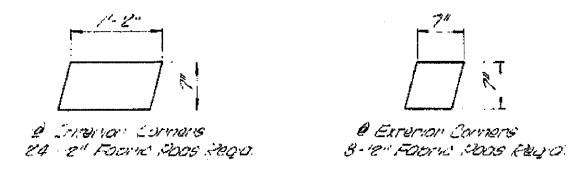
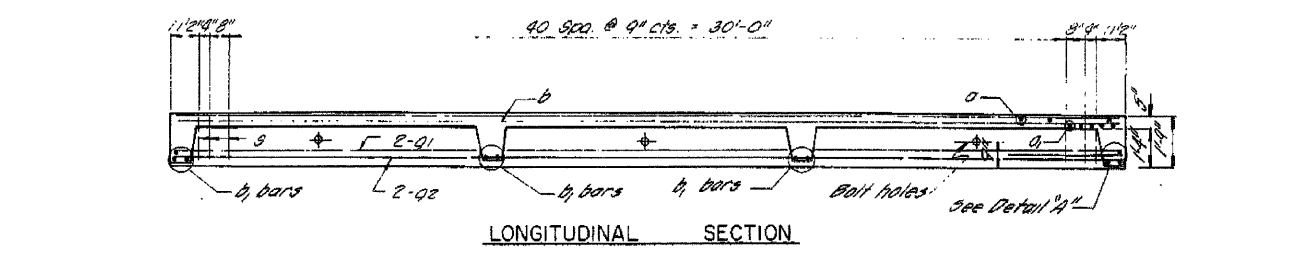
BILL OF MATERIAL - SUPERSTRUCTURE

Precast Concrete Bridge Slab	Sq. Ft.	1,781
Bituminous Mixture Complete	Ton	28
Bituminous Materials (Prime Coat) Gallon		20

***ESTIMATED QUANTITIES**

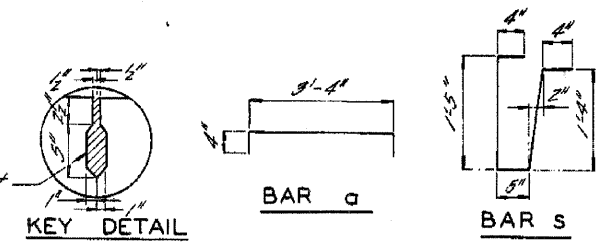
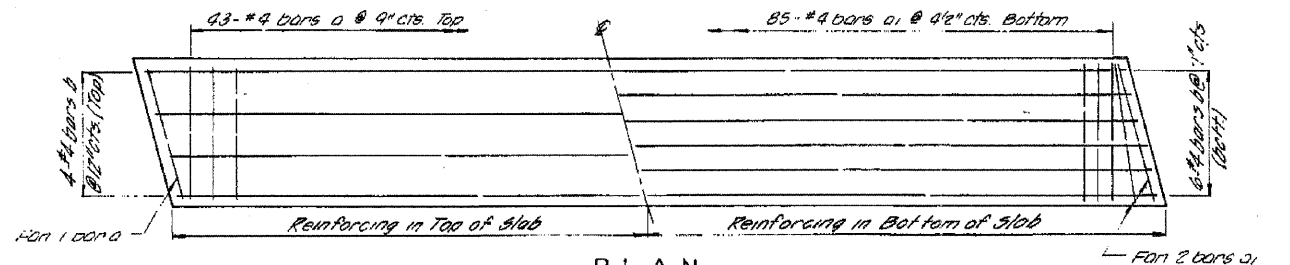
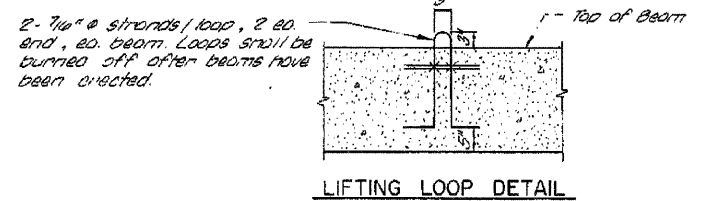
	Concrete Cu. Yds.	Rein. Bars Lbs.
One Unit	4.2	1,980

* For information of suppliers of Precast Slab Units only.



BILL OF REINFORCEMENT BARS

BAR SIZE	NO.	LENGTH
a #4	45	41'-0"
q1 #4	89	3'-3"
b #4	10	33'-6"
b1 #4	10	3'-6"
q1 #10	4	33'-6"
q2 #11	4	33'-6"
s #3	90	3'-10"



Note: Tack welding of stirrups to bottom longitudinal reinforcement bars will not be permitted except as otherwise authorized in writing by the Engineer.

SUPERSTRUCTURE
SECTION III B-1- TR
BIG ROCK ROAD DISTRICT
KANE COUNTY
STATION 10+00
COLLINS AND RICE
CONSULTING ENGINEERS
CHECKED F.S. DATE 1-18-74
DRAWN J.F. DATE 1-18-74 No. 877