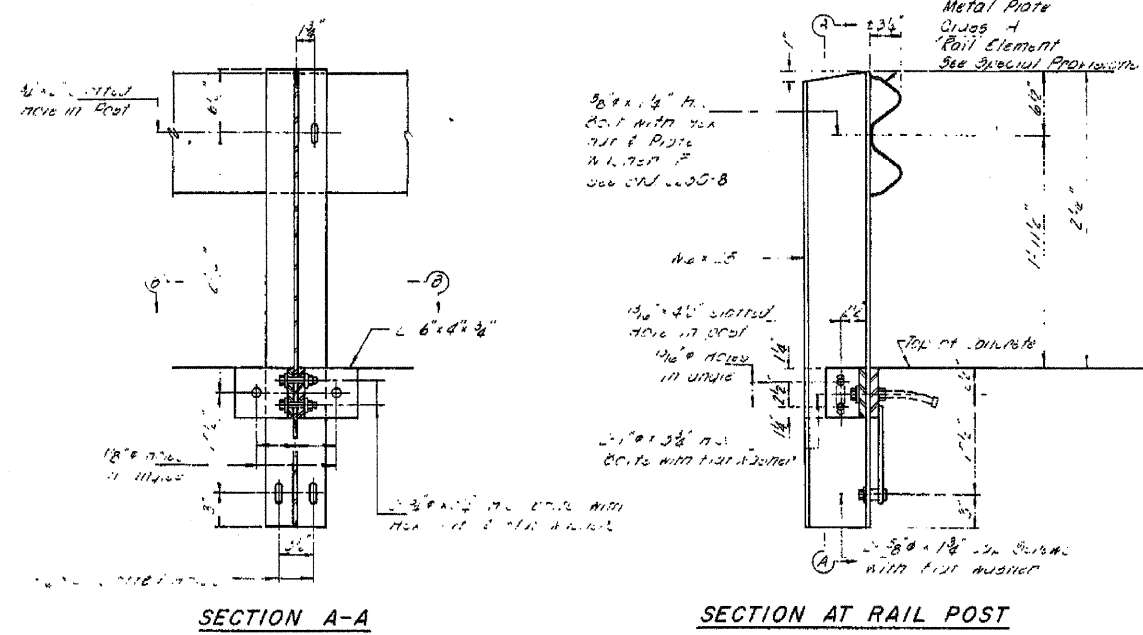
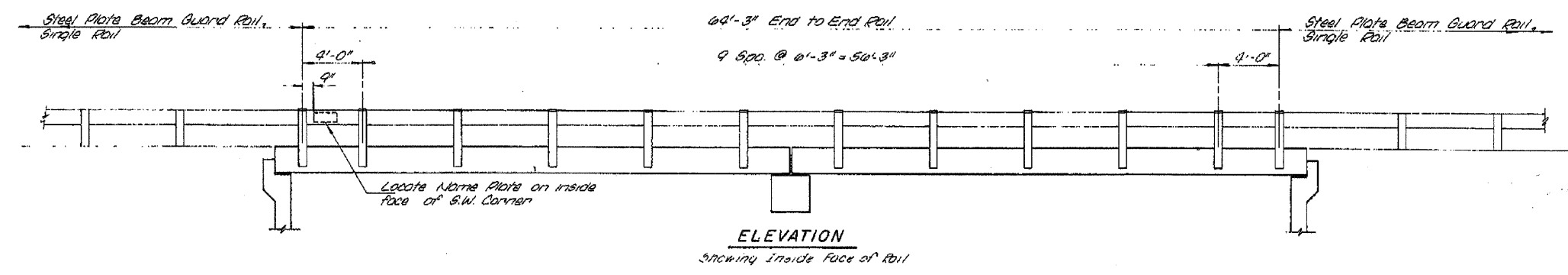


ROUTE NO.	SEC.	COUNTY	TOTAL SHEETS	SHEET NO.
111B-1	-TR	KANE	10	8
ROAD DIST. BIG ROCK				



NOTES

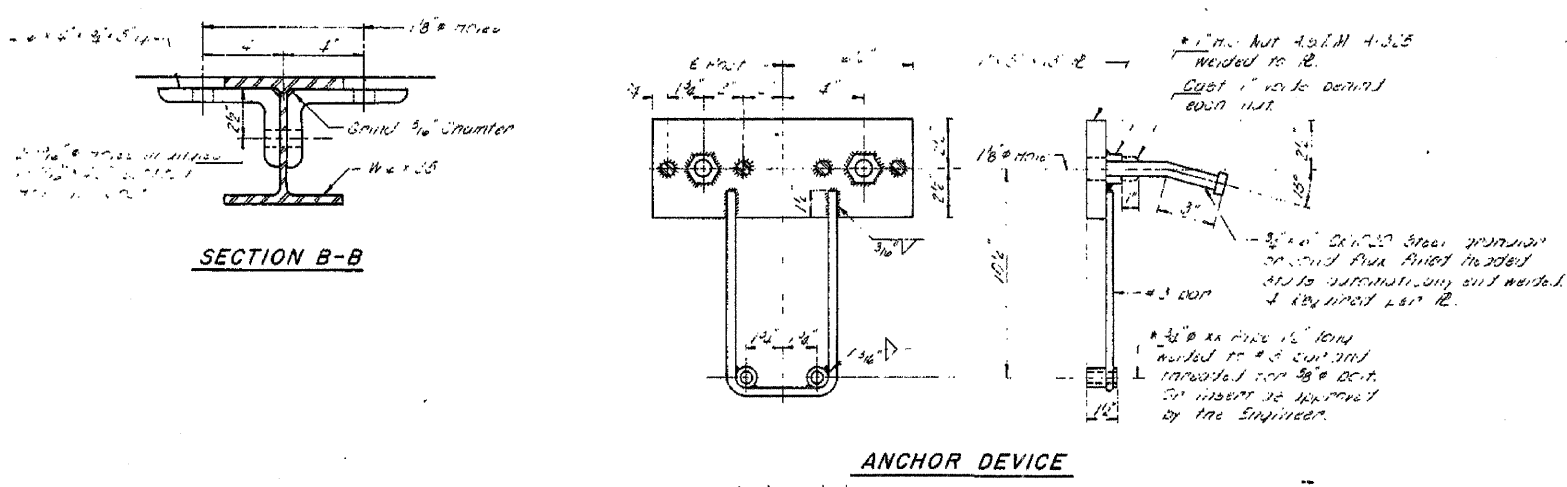
All steel shapes and plates used shall conform to the requirements of A.S.T.M. designation A-36 except posts shall conform to A.S.T.M. A-441. Bolts, cap screws, and nuts shall conform to the requirements of A.S.T.M. designation A-307 except for high strength bolts, nuts, and washers noted shall conform to A.S.T.M. designation A-325.

The lower portion of the post flange in contact with concrete shall receive two coats of asphalt paint conforming to Section 114.08 Type B or prime "B" epoxy bonding set between the post and concrete.

The 1/2" high strength bolts used to connect the 2" x 2" x 1/4" angles to the post shall be tightened in accordance with Article 7.0.11 of the standard specifications. The 1/2" high strength bolts connecting the angle to the concrete shall be tightened to a snug fit and given an additional 1/4 turn.

BILL OF MATERIAL

Item	Unit	Quantity
Metal Plate Bridge	sq. Ft.	129



RAILING DETAILS

SECTION 111B-1-TR
BIG ROCK ROAD DISTRICT
KANE COUNTY
STATION 10+00

COLLINS AND RICE
CONSULTING ENGINEERS

DESIGNED F.S. DRAWN J.F. ORDERED M.B. DATE 1-18-74 NO. 877