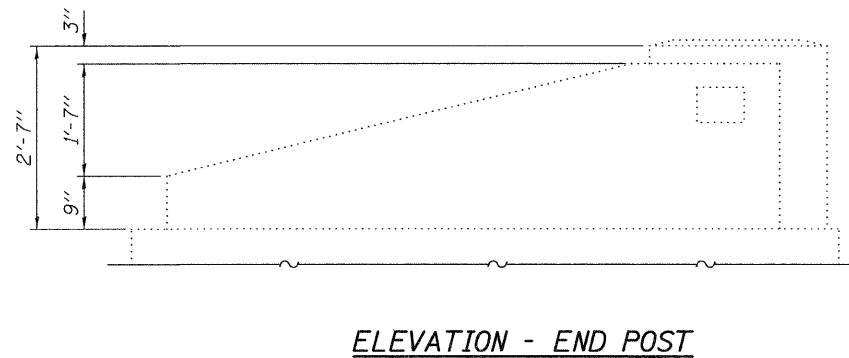
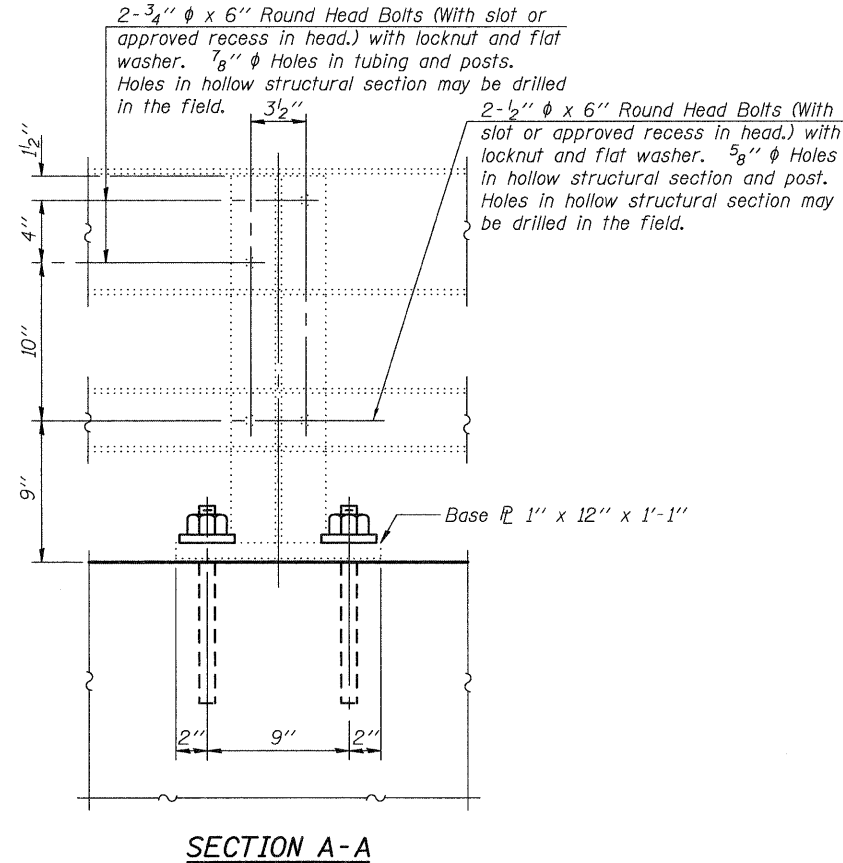
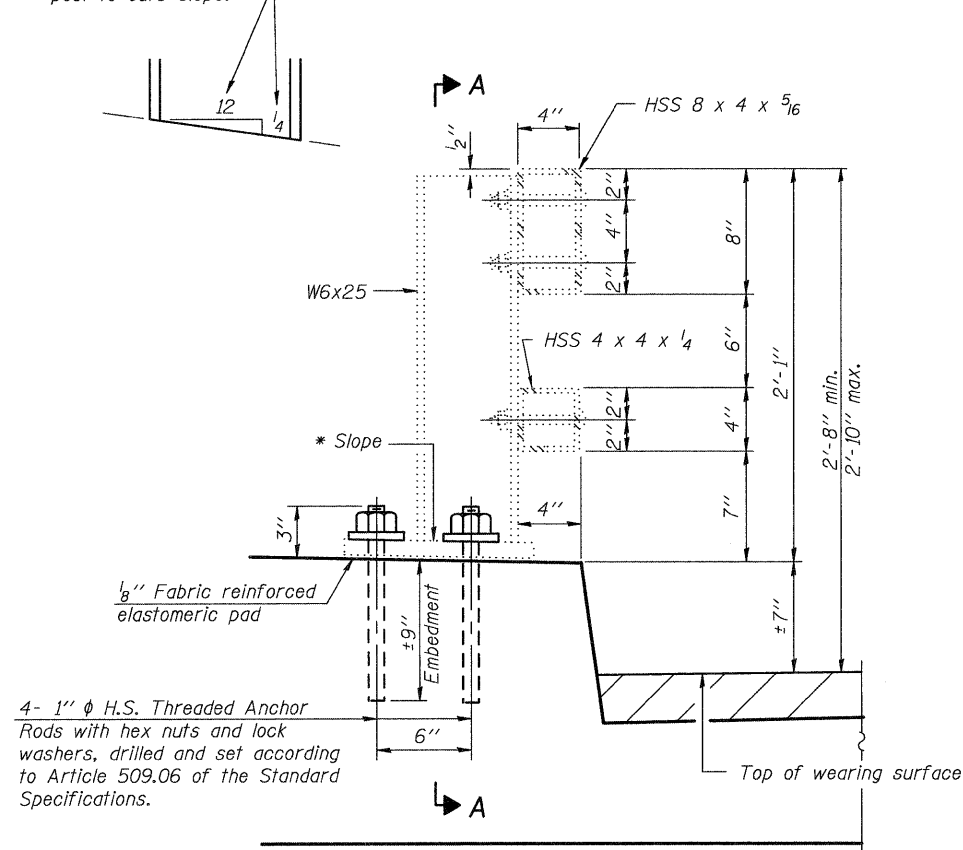
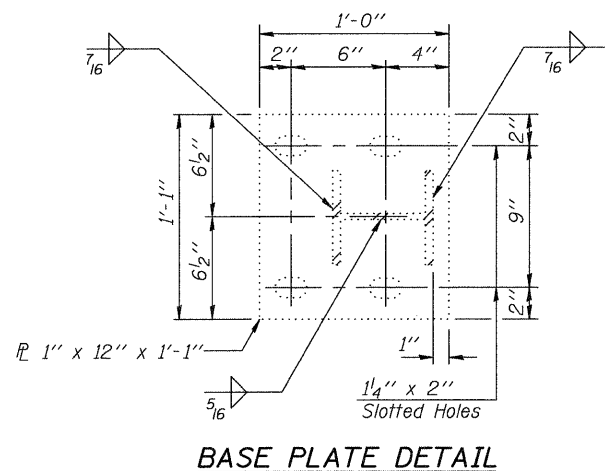


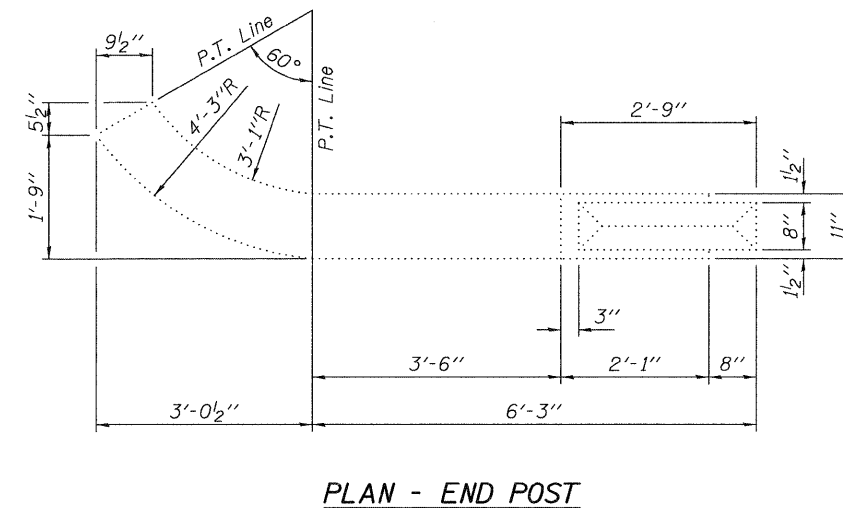
* Cut bottom end of post to curb slope.



SECTION AT RAIL POST



Note:
Rail Posts to be removed as needed at joint repair locations.
Use new H.S. Threaded Anchor Rods to reinstall, as specified.
Cost included with Concrete Superstructure.



DESIGNED - ADY
CHECKED - MKC
DRAWN - Kyle M. Steffen
CHECKED - ADY MKC

EXAMINED
PASSED
ACTING ENGINEER OF STRUCTURAL SERVICES
ACTING ENGINEER OF BRIDGES AND STRUCTURES

DATE - MARCH 8, 2012

STATE OF ILLINOIS
DEPARTMENT OF TRANSPORTATION

REPAIR DETAILS
SN 101-0033 (NB) & 0034 (SB)

SHEET NO. 6 OF 6 SHEETS

F.A. RTE.	SECTION	COUNTY	TOTAL SHEETS	SHEET NO.
738	(5B)M	WINNEBAGO	24	18
CONTRACT NO. 64H21			ILLINOIS FED. AID PROJECT	